

CDS



Suction and Discharge Gauge Panel Kits



SPECIFICATONS

- Case:** 4" (102 mm) Thick; Chrome Plated.
- Socket/Ring:** Cast Brass; Polished Ring.
- Bourdon Tube:** Copper Alloy.
- Movement:** Brass with Highly Finished Bearing Surface.
- Connection:** 1/4" NPT.
- Suction Gauge:** Registers Vacuum or Pressure Range from -34 to +34 Feet of Water. Compound Dial Scale Graduated in 1 Foot Increments, with Numbers Every 5 Feet.
- Discharge Gauge (Shown):** Registers Pressure Ranges.

DESCRIPTION

Kits Consist of a Resilient-Mount Panel and Frame Assembly with Adjustable Brackets for Installation to the Pump or Piping. Both 4" (102mm) Diameter, Glycerin Filled, "NO SHOCK" Gauges are Graduated in "Feet of Water" Column with Rated Accuracy of 1% of Full Scale Reading. Gauges are Assembled to Panel and Shipped Complete with All Hoses and Fittings Necessary to Install Each Gauge Line. A Shut Off Valve is Provided for Each Gauge at Point of Connection into Pump or Piping.

DISCHARGE RANGE (Feet)	GAUGE PANEL KIT (SST Pipe Fittings)
0 – 35	48213-094
0 – 70	48213-095
0 – 140	48213-093
0 – 230	48213-096
0 – 460	48213-106



THE GORMAN-RUPP COMPANY • MANSFIELD, OHIO
GORMAN-RUPP OF CANADA LIMITED • ST. THOMAS, ONTARIO, CANADA

www.grpumps.com
Specifications Subject to Change Without Notice

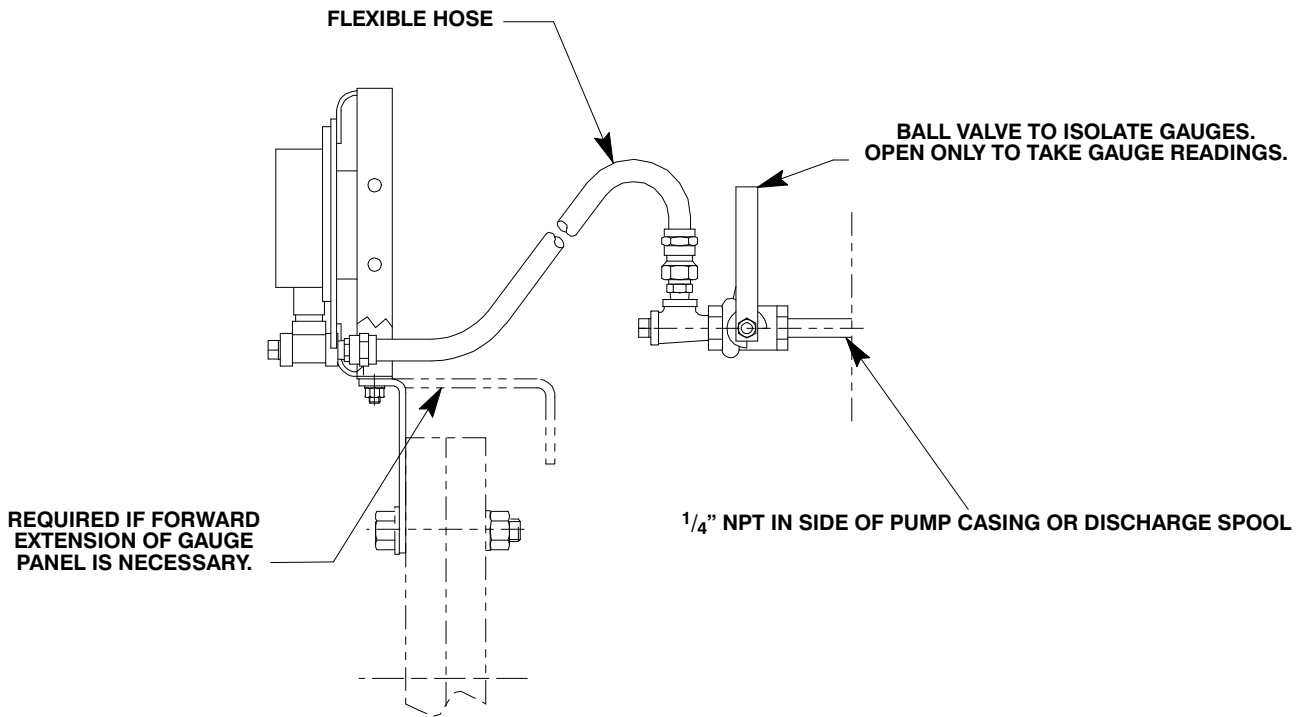
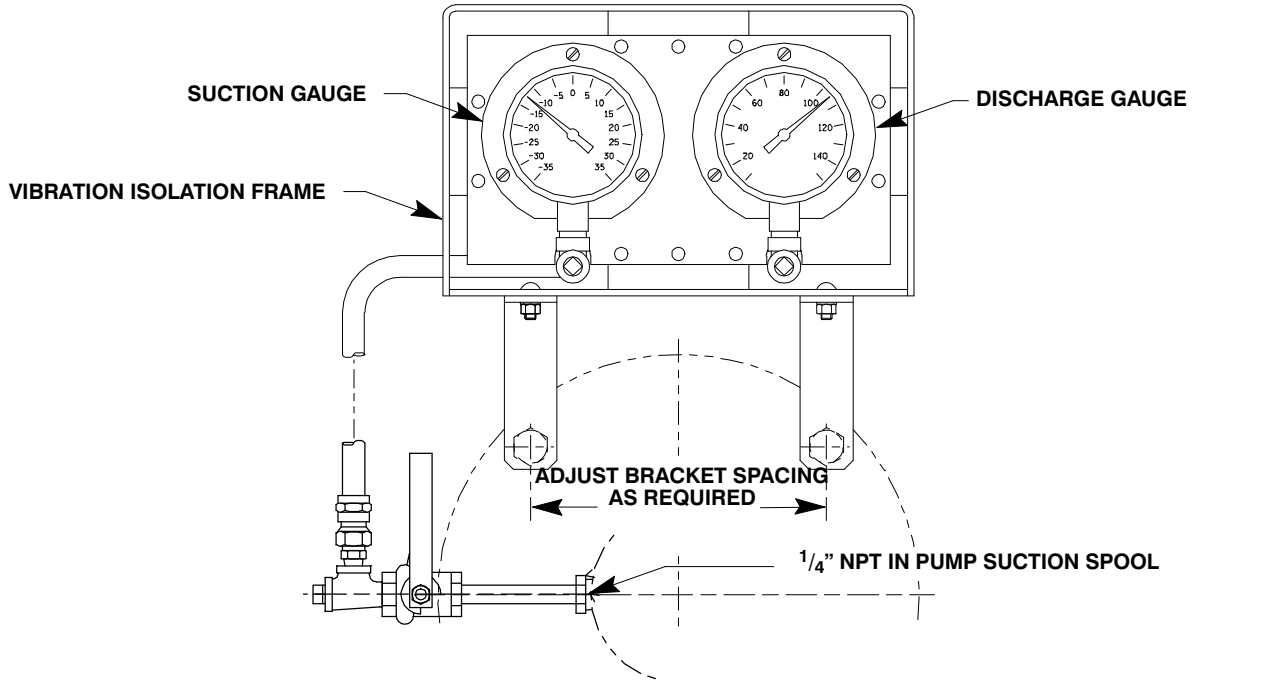
Printed in U.S.A.

Specification Data

APPROXIMATE
DIMENSIONS and WEIGHTS

NET WEIGHT: 18 LBS. (8,2 KG.)
SHIPPING WEIGHT: 25 LBS. (11,3 KG.)
EXPORT CRATE SIZE: 1.5 CU. FT. (0,04 CU. M.)

SECTION 10, PAGE 1400



THE GORMAN-RUPP COMPANY • MANSFIELD, OHIO

GORMAN-RUPP OF CANADA LIMITED • ST. THOMAS, ONTARIO, CANADA

Specifications Subject to Change Without Notice

Printed in U.S.A.