

BCE

# Self Priming Centrifugal Pump



## Model 03H1-B

### Size 3" x 3"

#### PUMP SPECIFICATIONS

**Size:** 3" x 3" (76 mm x 76 mm) NPT - Female

**Casing:** Aluminum 356-T6.

Maximum Operating Pressure 125 psi (862 kPa).\*

**Enclosed Type, Five Vane Impeller:** Aluminum 356-T6.

Handles 7/16" (11 mm) Diameter Spherical Solids.

**Impeller Shaft:** Alloy Steel 4150M.

**Replaceable Wear Rings:** Copper Alloy C93200.

**Pedestal:** Gray Iron 30.

**Seal Plate:** Aluminum 356-T6

**Radial and Thrust Bearings:** Open Single Row Ball.

**Bearing Lubrication:** SAE 30 Non-Detergent Oil.

**Shaft Sleeve:** Alloy Steel 4130.

**Flanges:** Aluminum 356-T6.

**O-Rings:** Buna-N.

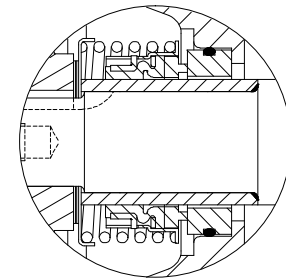
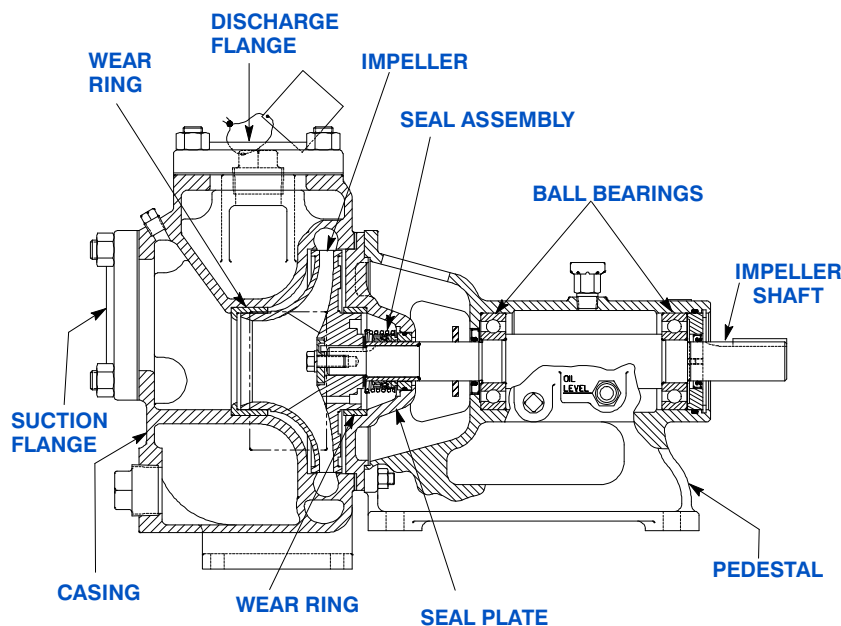
**Gaskets:** Cork <sup>w</sup>/Buna-N.

**Hardware:** Standard Plated Steel.

**Optional Equipment:** Victaulic<sup>®</sup> Suction and Discharge Flanges. Horizontal Victaulic<sup>®</sup> Discharge Flange.

Victaulic is a Registered Trademark of Victaulic Company of America.

*\*Consult Factory for Applications Exceeding Maximum Pressure and/or Temperature Indicated.*



#### SEAL DETAIL

Type 2, Mechanical, Self-Lubricated. Carbon Rotating Face. Ni-Resist Stationary Face. Fluorocarbon Elastomers (DuPont Viton<sup>®</sup> or Equivalent). Stainless Steel 18-8 Cage and Spring. Maximum Temperature of Liquid Pumped, 160°F (71°C).\*



THE GORMAN-RUPP COMPANY • MANSFIELD, OHIO

GORMAN-RUPP OF CANADA LIMITED • ST. THOMAS, ONTARIO, CANADA

www.grpumps.com

Specifications Subject to Change Without Notice

Printed in U.S.A.

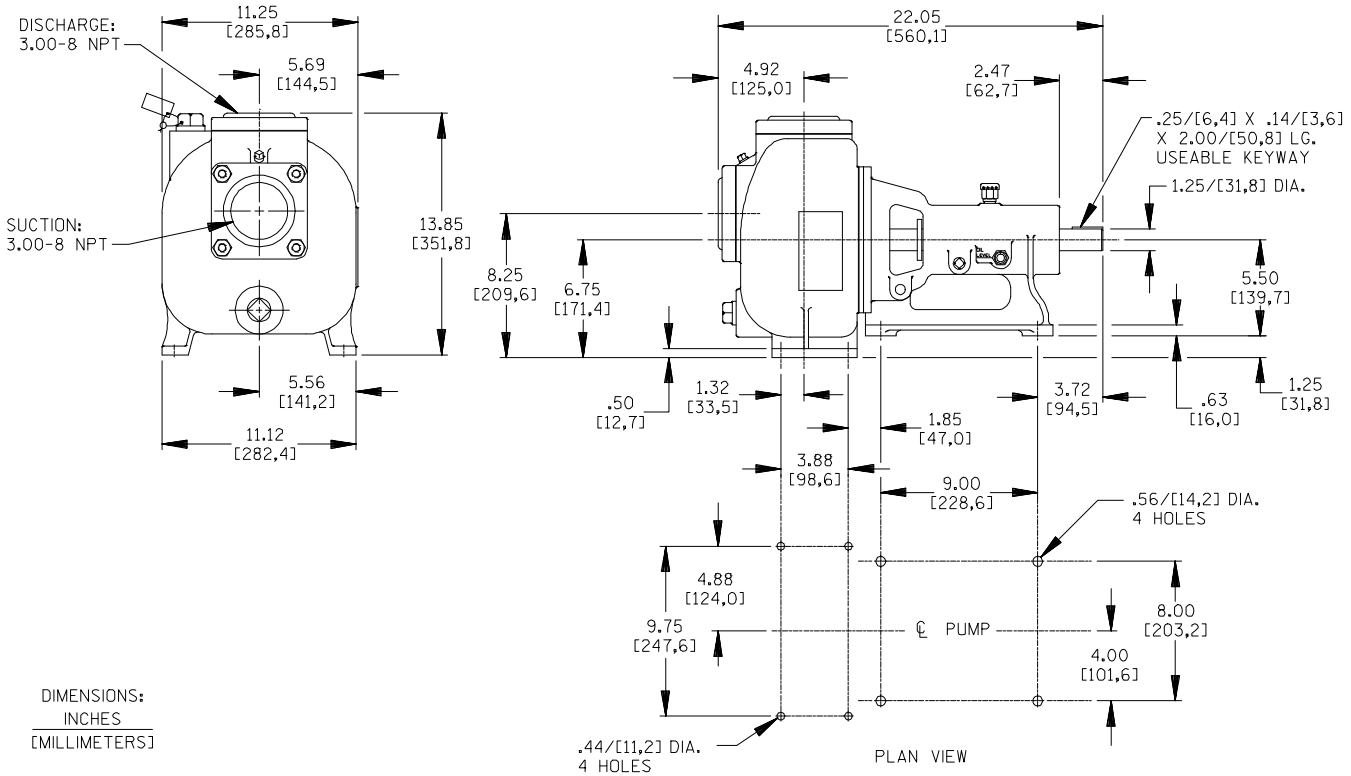
**Specification Data**

**SECTION 30, PAGE 1550**

APPROXIMATE  
DIMENSIONS and WEIGHTS

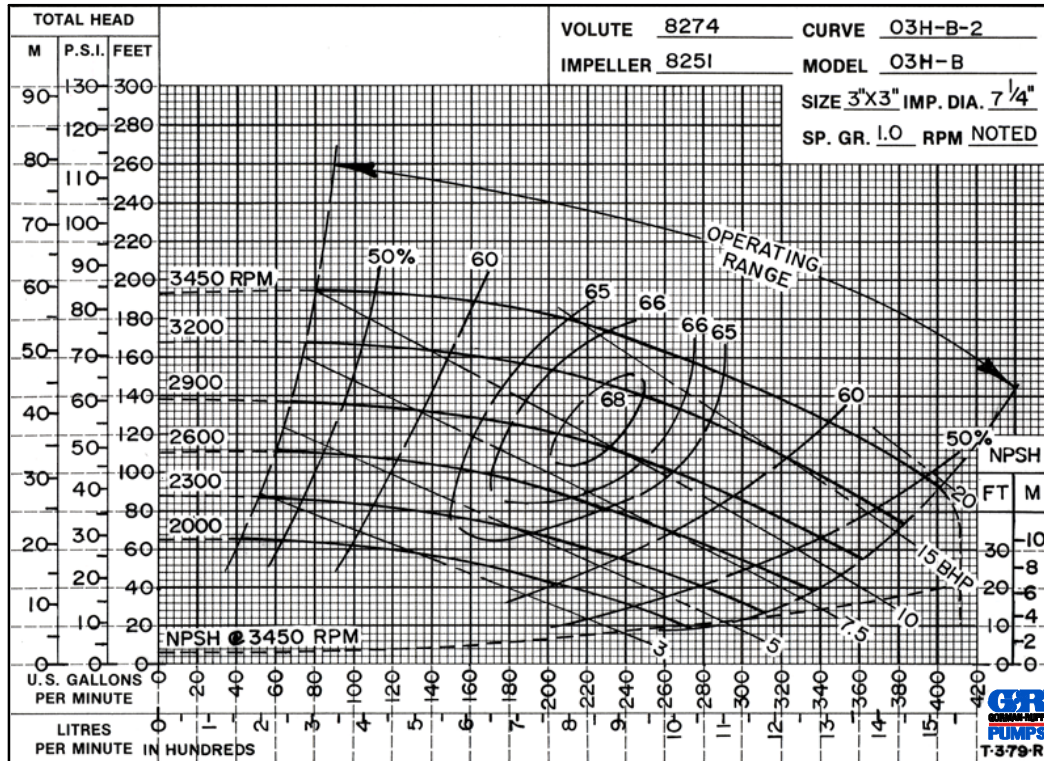
**NET WEIGHT:**  
**SHIPPING WEIGHT:**  
**EXPORT CRATE:**

**74 LBS. (33,5 KGS.)**  
**87 LBS. (39,4 KGS.)**  
**8.6 CU. FT. (0,24 CU. M.)**



DIMENSIONS:  
INCHES  
[MILLIMETERS]

**PERFORMANCE  
BASED ON  
WATER**



**THE GORMAN-RUPP COMPANY • MANSFIELD, OHIO**

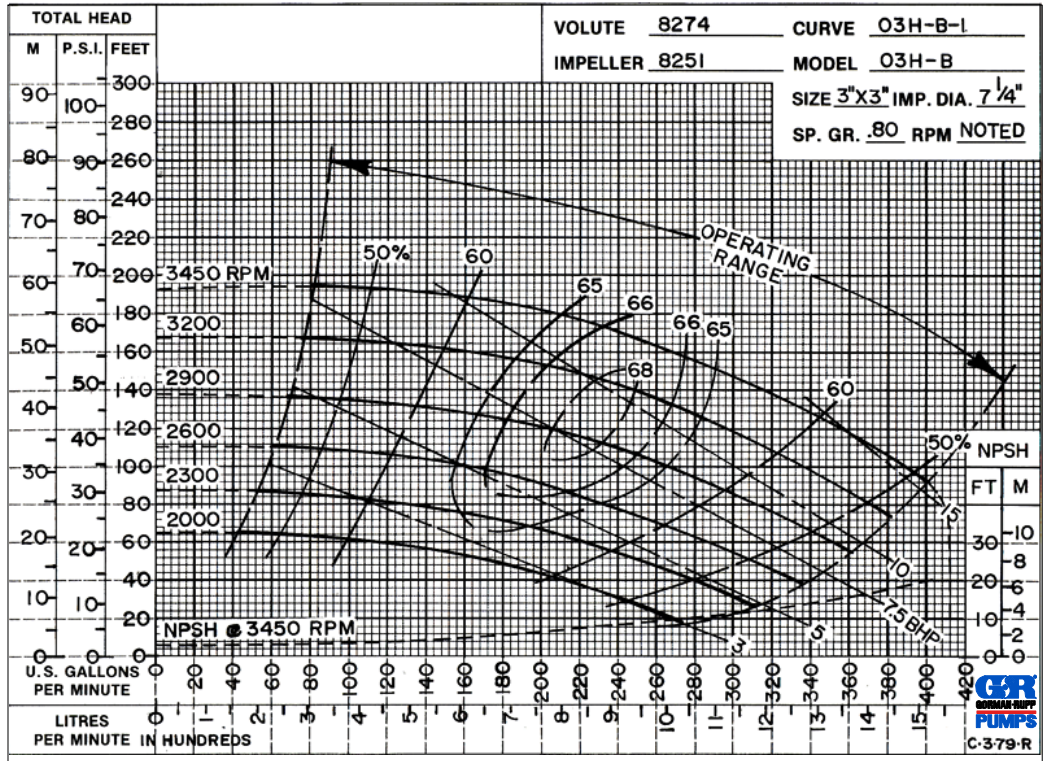
GORMAN-RUPP OF CANADA LIMITED • ST. THOMAS, ONTARIO, CANADA

Specifications Subject to Change Without Notice

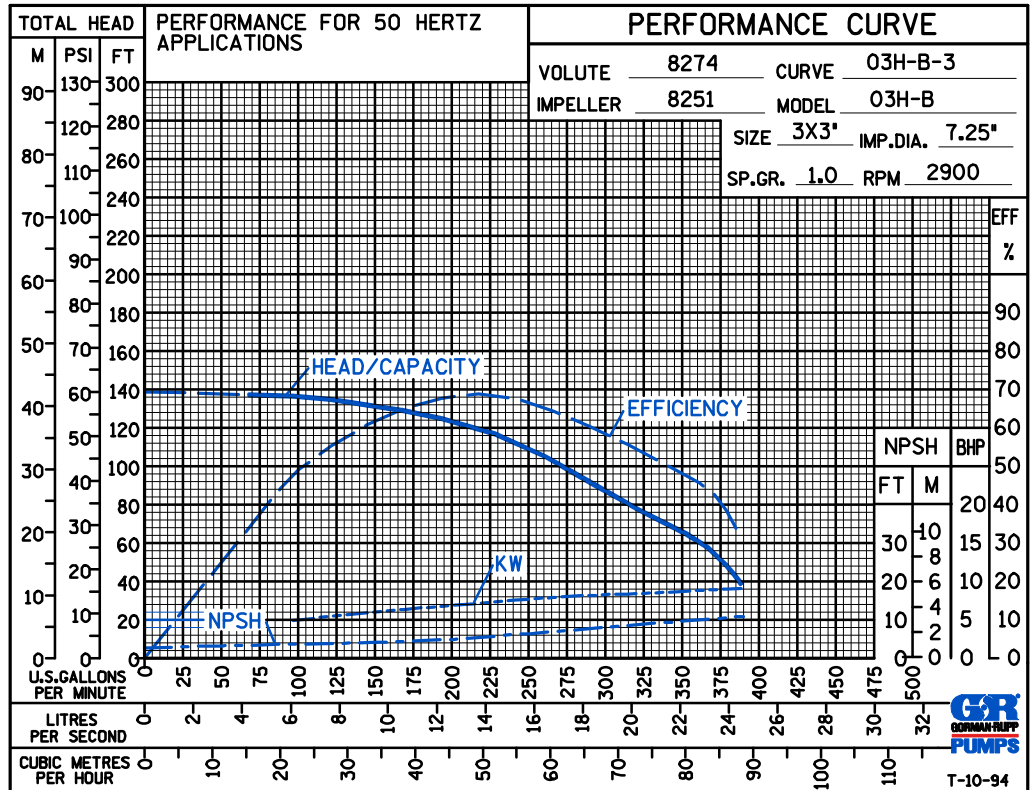
Printed in U.S.A.

BCE

PERFORMANCE  
BASED ON  
PETROLEUM



50 HERTZ  
PERFORMANCE  
BASED ON  
WATER



THE GORMAN-RUPP COMPANY • MANSFIELD, OHIO

GORMAN-RUPP OF CANADA LIMITED • ST. THOMAS, ONTARIO, CANADA

Specifications Subject to Change Without Notice

Printed in U.S.A.