



# Self Priming Centrifugal Pump

## Model 04C3-B

### Size 4" x 4"

#### PUMP SPECIFICATIONS

**Size:** 4" x 4" (102 mm x 102 mm) NPT – Female.

**Casing:** Gray Iron 30.

Maximum Operating Pressure 130 psi (896 kPa).\*

**Enclosed Type, Six Vane Impeller:** Copper Alloy C83600.

Handles 11/16" (17,5 mm) Diameter Spherical Solids.

**Impeller Shaft:** Alloy Steel 4150.

**Replaceable Wear Rings:** Copper Alloy C83600.

**Pedestal:** Gray Iron 30.

**Seal Plate:** Gray Iron 30.

**Shaft Sleeve:** Alloy Steel 4130.

**Radial Bearing:** Open Single Row Ball.

**Thrust Bearing:** Open Double Row Ball.

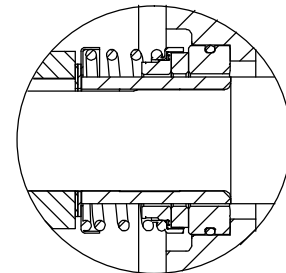
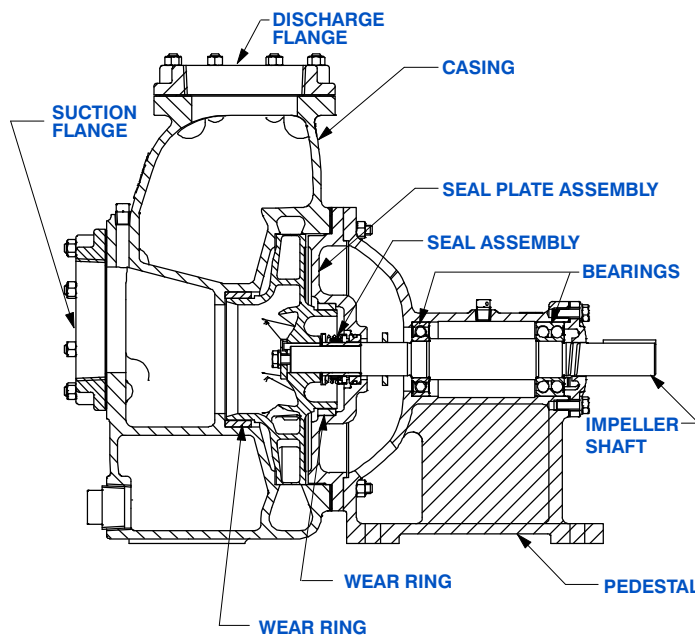
**Bearing Lubrication:** Grease.

**Flanges:** Ductile Iron 60-40-18.

**Gaskets:** Cork <sup>w</sup>/Nitrile Binder NC710.

**Hardware:** Standard Plated Steel.

*\*Consult Factory for Applications Exceeding Maximum Pressure and/or Temperature Indicated.*



#### SEAL DETAIL

Type 21, Mechanical Self-Lubricated. Carbon Rotating Face. Ceramic Stationary Face. Fluorocarbon Elastomers (DuPont Viton<sup>®</sup> or Equivalent). Spring Centering Washer, Cage and Spring are Stainless Steel 316. Maximum Temperature of Liquid Pumped, 160°F [71°C].\*



## GORMAN-RUPP PUMPS

www.grpumps.com

Specifications Subject to Change Without Notice

Printed in U.S.A.

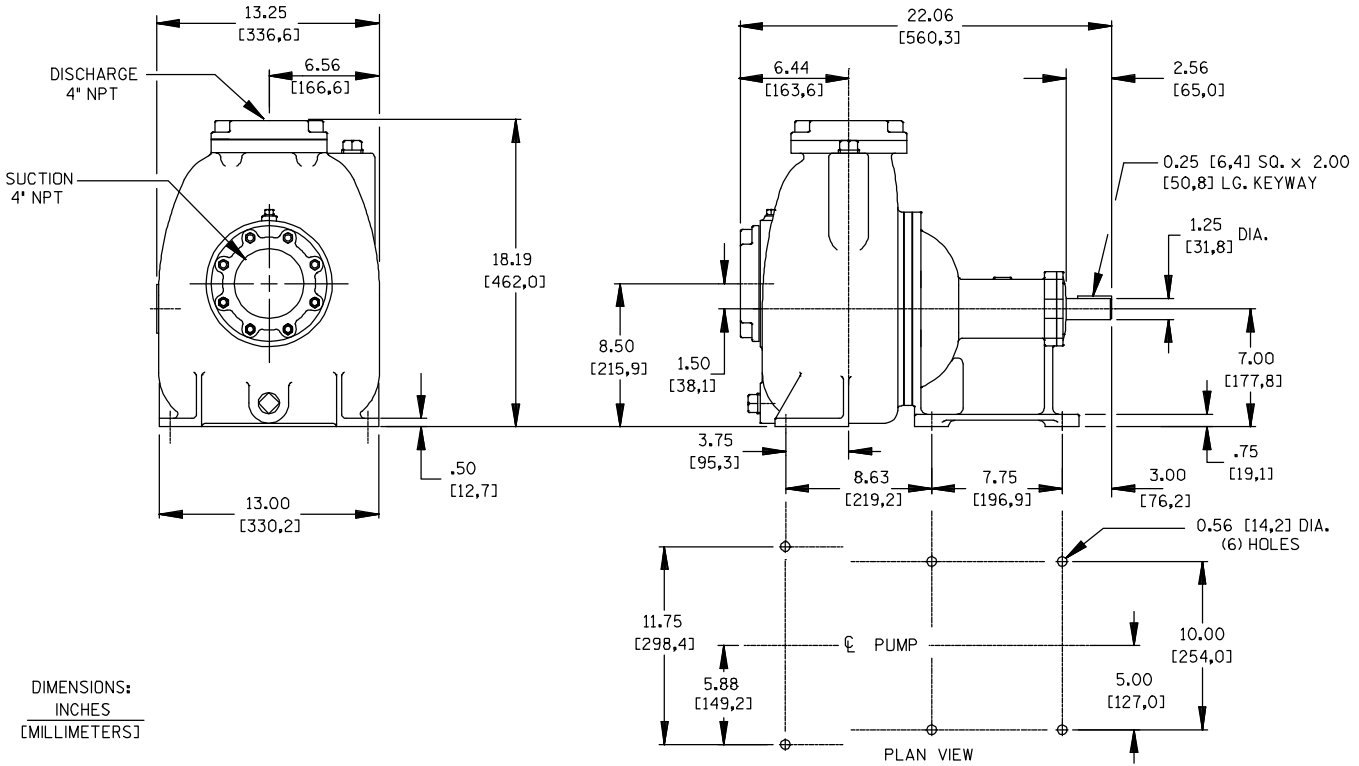
**Specification Data**

SECTION 30, PAGE 1850

APPROXIMATE  
DIMENSIONS and WEIGHTS

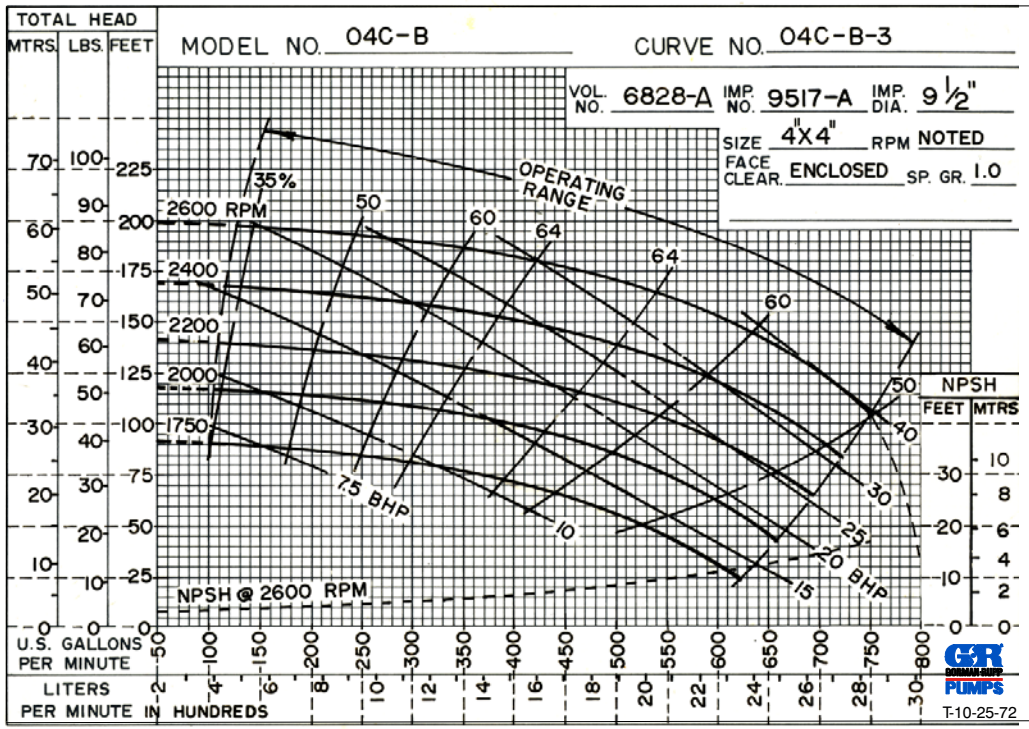
NET WEIGHT:  
SHIPPING WEIGHTS:  
EXPORT CRATE:

193 LBS. (88 KG.)  
203 LBS. (92 KG.)  
7.9 CU. FT. (0,22 CU. M.)



DIMENSIONS:  
INCHES  
[MILLIMETERS]

**MULTI-SPEED  
CURVE  
PERFORMANCE  
BASED ON  
WATER**



**GORMAN-RUPP PUMPS**

www.grpumps.com

Specifications Subject to Change Without Notice

Printed in U.S.A.

