

Self Priming Centrifugal Pump



Model 04C52-B

Size 4" x 4"

PUMP SPECIFICATIONS

Size: 4" x 4" (102 mm x 102 mm) NPT – Female.

Casing: Gray Iron 30.

Maximum Operating Pressure 130 psi (896 kPa).*

Enclosed Type, Six Vane Impeller: Gray Iron 30.

Handles 11/16" (17,5 mm) Diameter Spherical Solids.

Impeller Shaft: Alloy Steel 4150.

Replaceable Wear Rings: Gray Iron 30.

Pedestal: Gray Iron 30.

Seal Plate: Gray Iron 30.

Shaft Sleeve: Alloy Steel 4130.

Radial Bearing: Open Single Row Ball.

Thrust Bearing: Open Double Row Ball.

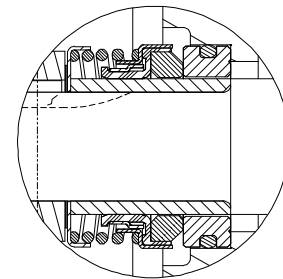
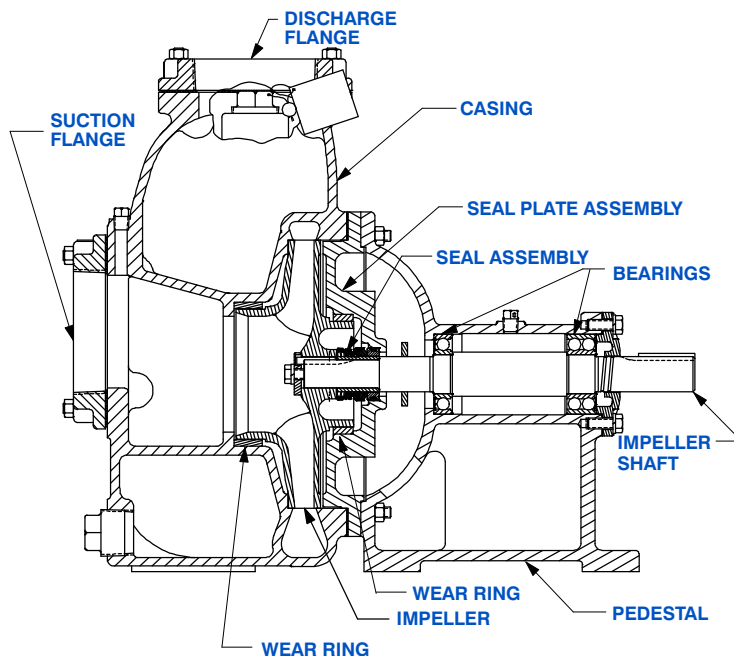
Bearing Lubrication: Grease.

Flanges: Ductile Iron 60-40-18.

Gaskets: Cork ^w/Nitrile Binder NC710.

Hardware: Standard Plated Steel.

**Consult Factory for Applications Exceeding Maximum Pressure and/or Temperature Indicated.*



SEAL DETAIL

Type 31, Mechanical, Self-Lubricated. Silicon Carbide Rotating and Stationary Faces. Fluorocarbon Elastomers (DuPont Viton[®] or Equivalent). Stainless Steel 18-8 Cage and Spring. Maximum Temperature of Liquid Pumped, 160°F (71°C).*



GORMAN-RUPP PUMPS

www.grpumps.com

Specifications Subject to Change Without Notice

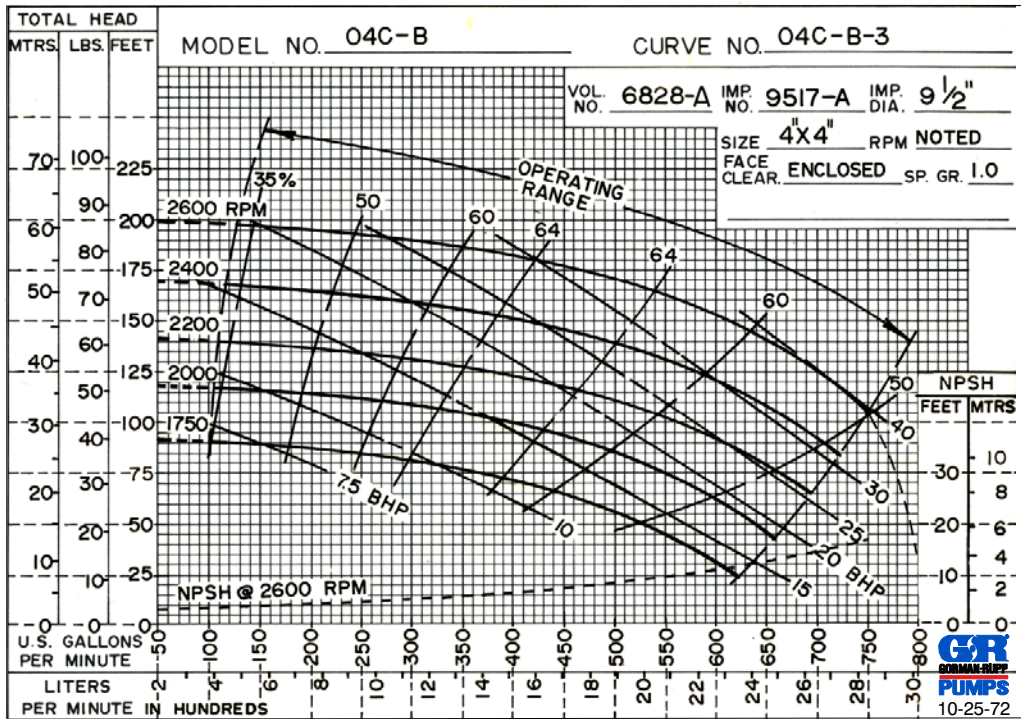
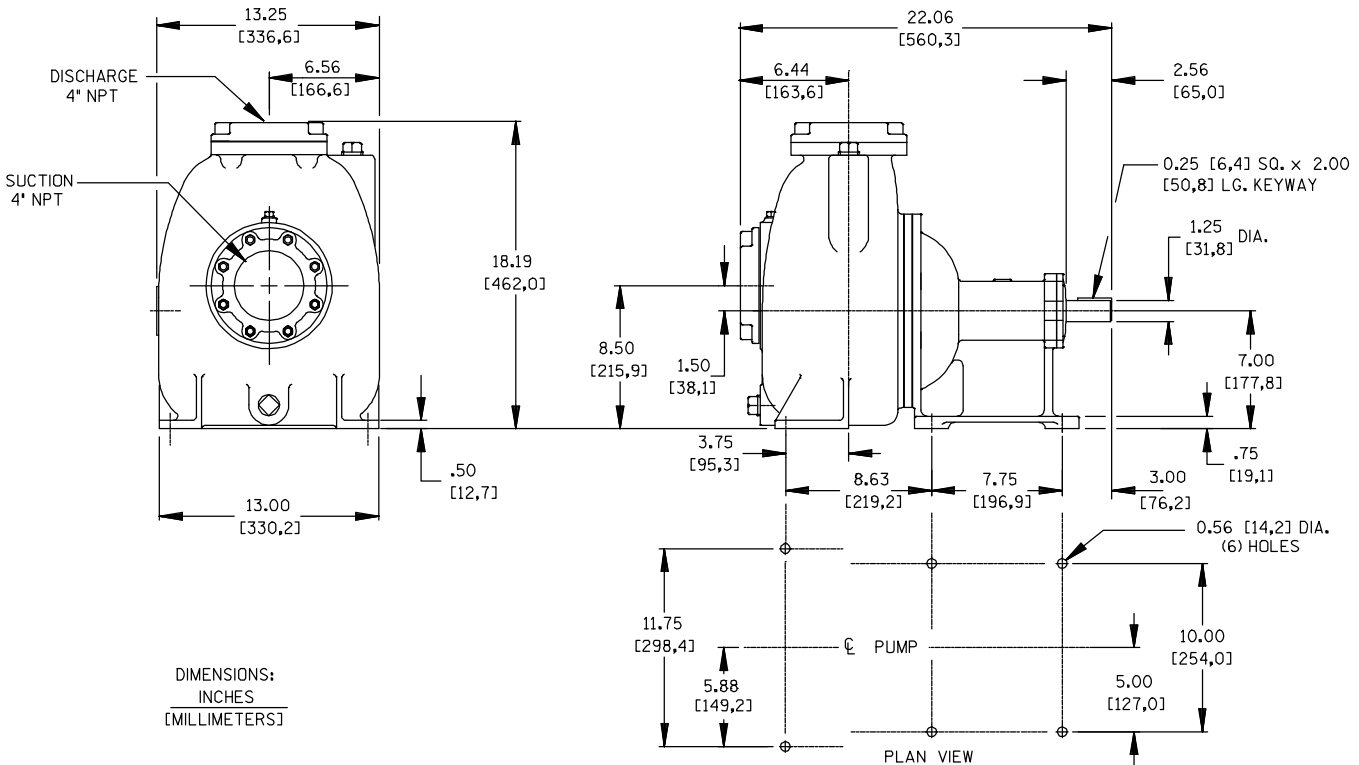
Printed in U.S.A.

Specification Data

SECTION 30, PAGE 1852

APPROXIMATE
DIMENSIONS and WEIGHTS

NET WEIGHT: 190 LBS. (86 KG.)
SHIPPING WEIGHTS: 207 LBS. (94 KG.)
EXPORT CRATE: 7.9 CU. FT. (0,22 CU. M.)



GORMAN-RUPP PUMPS

www.grpumps.com

Specifications Subject to Change Without Notice

Printed in U.S.A.