

Priming Assisted Centrifugal Pump w/Autostart



Model PA14B60-B-6090H FT4-ESP

Size 14" x 14"



Total Head		Capacity of Pump in U.S. Gallons per Minute (GPM) at Continuous Performance				
P.S.I.	Feet					
60.6	140	N/A	3000	3000	3000	3000
52.0	120	N/A	4900	6250	6500	6500
43.4	100	3750	5750	6850	7800	8300
34.7	80	3950	5650	7150	8400	9650
26.0	60	4000	5800	7290	8550	9850
17.3	40	4050	5900	7300	8600	9900
8.7	20	4100	5975	7350	8700	9975
Suction Lift		25'	20'	15'	10'	5'



PUMP SPECIFICATIONS

Size: 14" x 14" (356 mm x 356 mm) Flanged.

Casing: Ductile Iron 65-45-12.

Maximum Operating Pressure 98 psi (676 kPa).*

Enclosed Type, Four Vane Impeller: Ductile Iron 80-55-06.

Handles 3-1/2" (88,9 mm) Diameter Spherical Solids.

Impeller Shaft: Alloy Steel 4150.

Replaceable Wear Ring: Ductile Iron 65-45-12.

Bearing Pedestal: Gray Iron 30.

Seal Plate: Ductile Iron 65-45-12.

Seal: Mechanical, SAE 30 Non-Detergent Oil-Lubricated. Silicon Carbide Rotating Face and Stationary Seat. Fluorocarbon Elastomers (DuPont Viton® or Equivalent). Stainless Steel 18-8 Cage and Spring. Maximum Temperature of Liquid Pumped 160°F (71°C).*

Shaft Sleeve: Stainless Steel 303/304.

Priming Chamber: Gray Iron 30 Housing w/Stainless Steel Float and Linkage.

Discharge Check Valve: Ductile Iron Housing w/Buna-N Flapper.

Radial Bearing: Open Roller.

Thrust Bearing: Open Double Ball.

Bearing Cavity Lubrication: Lithium EP2 Grease.

Gaskets: Vegetable Fiber, Red Rubber and Buna-N.

O-Rings: Buna-N.

Hardware: Standard Plated Steel.

Seal Cavity Oil Level Sight Gauges.

**Consult Factory for Applications Exceeding Maximum Pressure and/or Temperature Indicated.*

Standard Equipment: Gear Driven Air Compressor. 1.67:1 Gear Reducer. Soundproof (EPA Average 88 dBA at 23 feet [7 meters] Under Load). Lightweight Aluminum Enclosure. Hoisting Bail. Combination Skid Base w/Fuel Tank. [Single Ball Type Float Switch](#). [Full Feature Control Panel](#) **

***50 Ft. (15 m) Standard Length; Dual Switches and Alternate Cable Lengths Available From the Factory.*

Optional Equipment: Battery. Strainer. Suction Vacuum and Discharge Pressure Gauge Kit. Liquid Level Transducer.



ENGINE SPECIFICATIONS

Model: John Deere 6090HFC09

EPA Tier: Tier 4.

Type: Six Cylinder, Charge Air Cooled, Diesel Engine, Open Unit w/ Air Compressor.

Displacement: 549 Cu. In. (9,0 liters).

Lubrication: Forced Circulation.

Air Cleaner: Dry Type.

Fuel Tank: 329 U.S. Gals. (1245 liters).

Full Load Operating Time: 18.4 Hrs.

Starter: 12V Electric.

Standard Features: Muffler w/Weather Cap.

Optional Features: Electronic Fuel Level Sensor.

Engine Control Features: Padlockable Box with Throttle Control, Tachometer, Coolant Temperature, Oil Pressure, Voltage and Overstart Indicators/Shut-downs. Manual/Stop/Auto Keyswitch. Audible Startup Warning Delay. Fuel Level Display/Alarm/Shut-down (For Use With Optional Fuel Level Sensor).

JOHN DEERE PUBLISHED PERFORMANCE:

Maximum Gross BHP (Intermittent)
375 (280 kW) @ 2000 RPM



GORMAN-RUPP PUMPS

www.grpumps.com

Specifications Subject to Change Without Notice

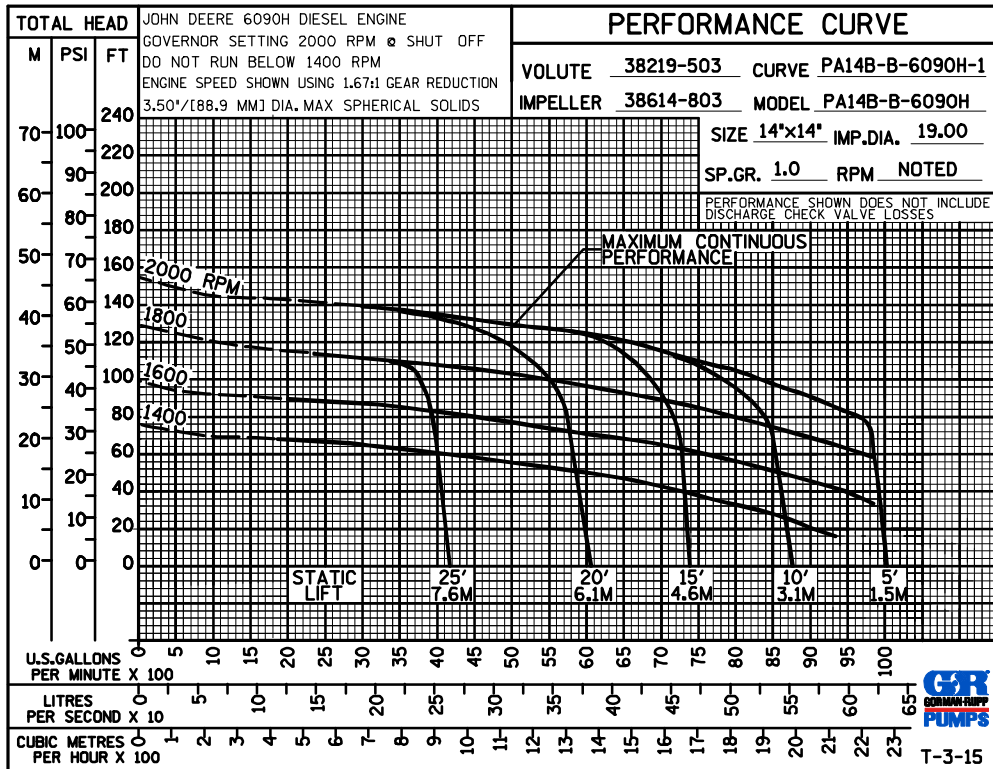
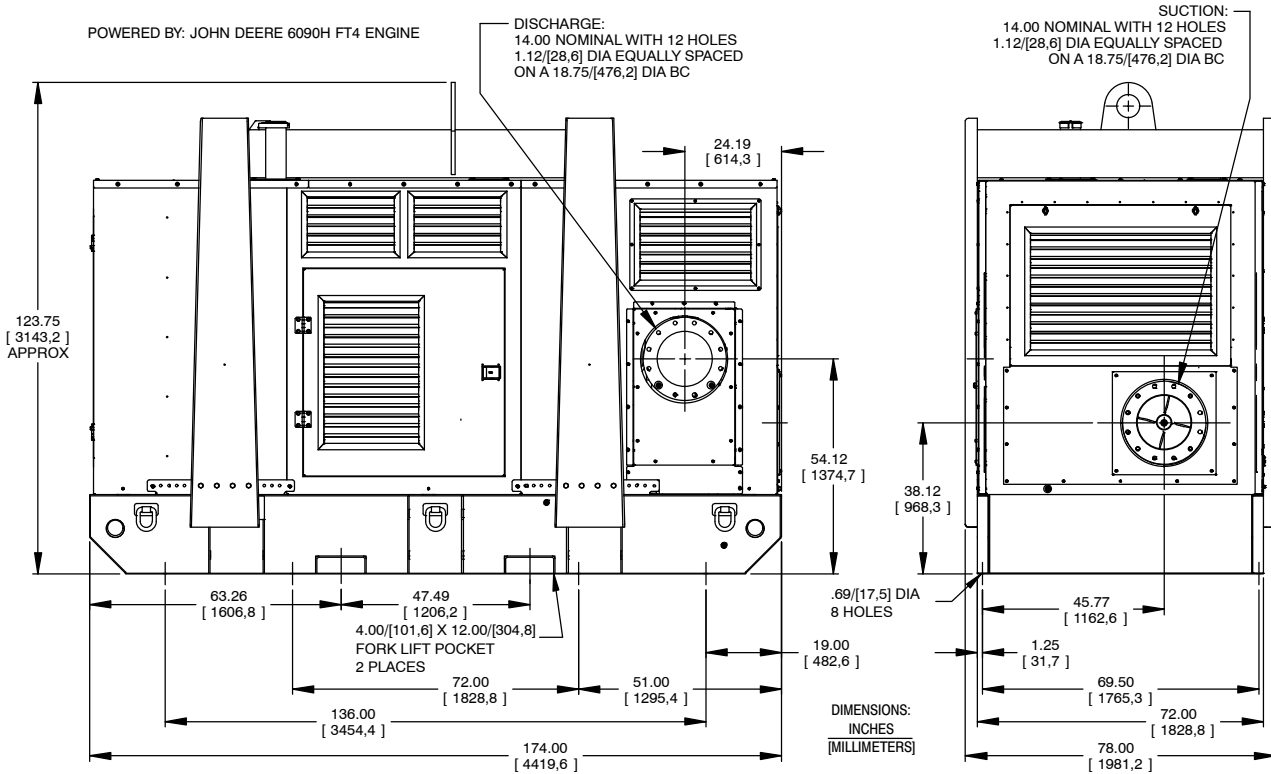
Printed in U.S.A.

Specification Data

APPROXIMATE
DIMENSIONS and WEIGHTS

NET WEIGHT: 15280 LBS. (6931 KG.)
SHIPPING WEIGHT: 15520 LBS. (7040 KG.)
EXPORT CRATE SIZE: 1079 CU. FT. (30,6 CU. M.)

SECTION 42, PAGE 1897



GORMAN-RUPP PUMPS

www.grpumps.com

Specifications Subject to Change Without Notice

Printed in U.S.A.