

CDS

# Self Priming Centrifugal Pump

**Super  
U SERIES****Model U3B65S-B****Size 3" x 3"****PUMP SPECIFICATIONS****Size:** 3" x 3" (76 mm x 76 mm) NPT - Female.**Casing:** Stainless Steel CD4MCu.

Maximum Operating Pressure 137 psi (945 kPa).\*

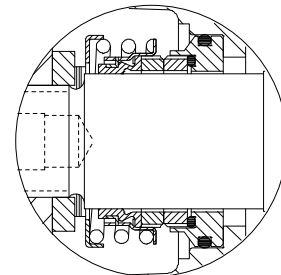
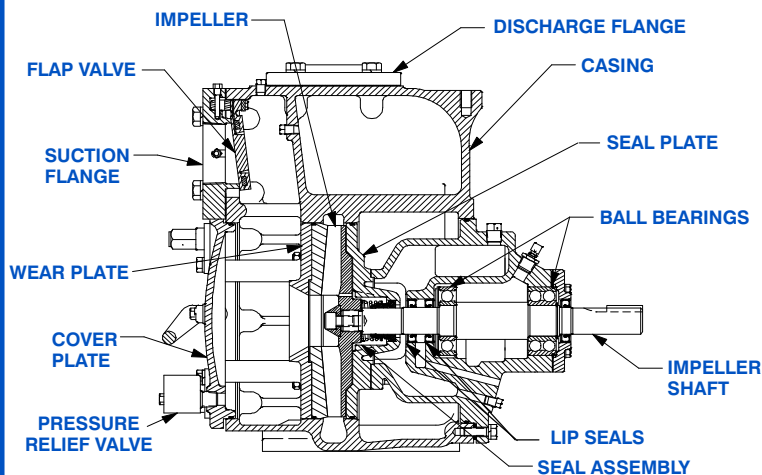
**Semi-Open Type, Six Vane Impeller:** Stainless Steel CD4MCu.  
Handles 13/16" (20,6 mm) Diameter Spherical Solids.**Impeller Shaft:** Stainless Steel 17-4 PH.**Replaceable Wear Plate:** Stainless Steel CD4MCu.**Removable Adjustable Cover Plate:** Stainless Steel CD4MCu;  
56 lbs. (25 kg).**Bearing Housing:** Stainless Steel CD4MCu.**Seal Plate:** Stainless Steel CD4MCu.**Flap Valve:** Fluorocarbon Elastomers (DuPont Viton® or Equivalent).**Radial Bearing:** Open Single Ball.**Thrust Bearing:** Open Double Ball.**Bearing and Seal Cavity Lubrication:** SAE 30 Non-Detergent Oil.**Suction Flange:** 125# Stainless Steel CD4MCu.**Discharge Flange:** 125# Stainless Steel 316.**Gaskets:** Fluorocarbon (DuPont Viton® or Equivalent) and PTFE.**O-Rings:** Fluorocarbon (DuPont Viton® or Equivalent).**Hardware:** Stainless Steel 316.**Stainless Steel 316 Pressure Relief Valve.****Bearing and Seal Cavity Oil Level Sight Gauges.****Optional Equipment:** Automatic Air Release Valve. Metal Bellows Seal. 120V/240V Casing Heater. High Pump Temperature Shutdown Kit. CD4MCu Stainless Steel Suction and Discharge Spool Flanges:

3" ASA (Specify Model U3B65S-B /F).

80 mm DIN 2527.



Shown w/Optional Spool Flanges

**SEAL DETAIL**

Mechanical, Oil-Lubricated, Double Floating, Self-Aligning. Silicon Carbide Rotating and Stationary Faces. Stainless Steel 316 Stationary Seat. Fluorocarbon Elastomers (DuPont Viton® or Equivalent). Stainless Steel 316 Cage and Spring. Maximum Temperature of Liquid Pumped, 160°F (71°C).\*

*\*Consult Factory for Applications Exceeding Maximum Pressure and/or Temperature Indicated.*

**THE GORMAN-RUPP COMPANY • MANSFIELD, OHIO**

GORMAN-RUPP OF CANADA LIMITED • ST. THOMAS, ONTARIO, CANADA

www.grpumps.com

Specifications Subject to Change Without Notice

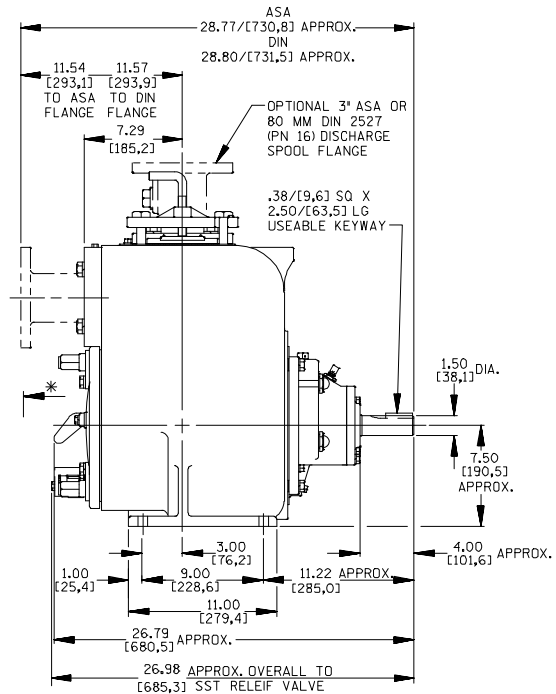
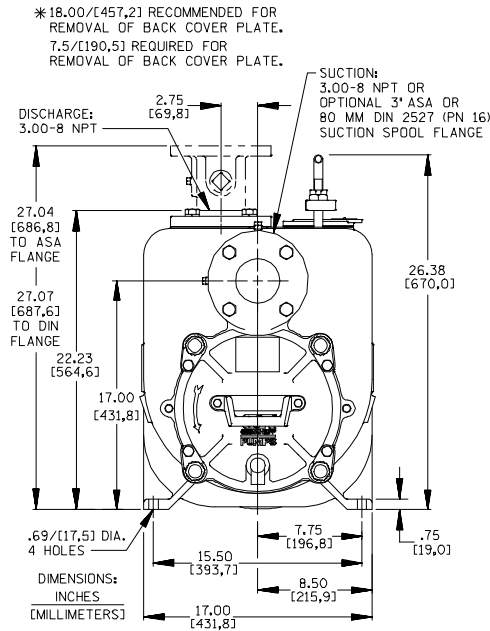
Printed in U.S.A.

**Specification Data**

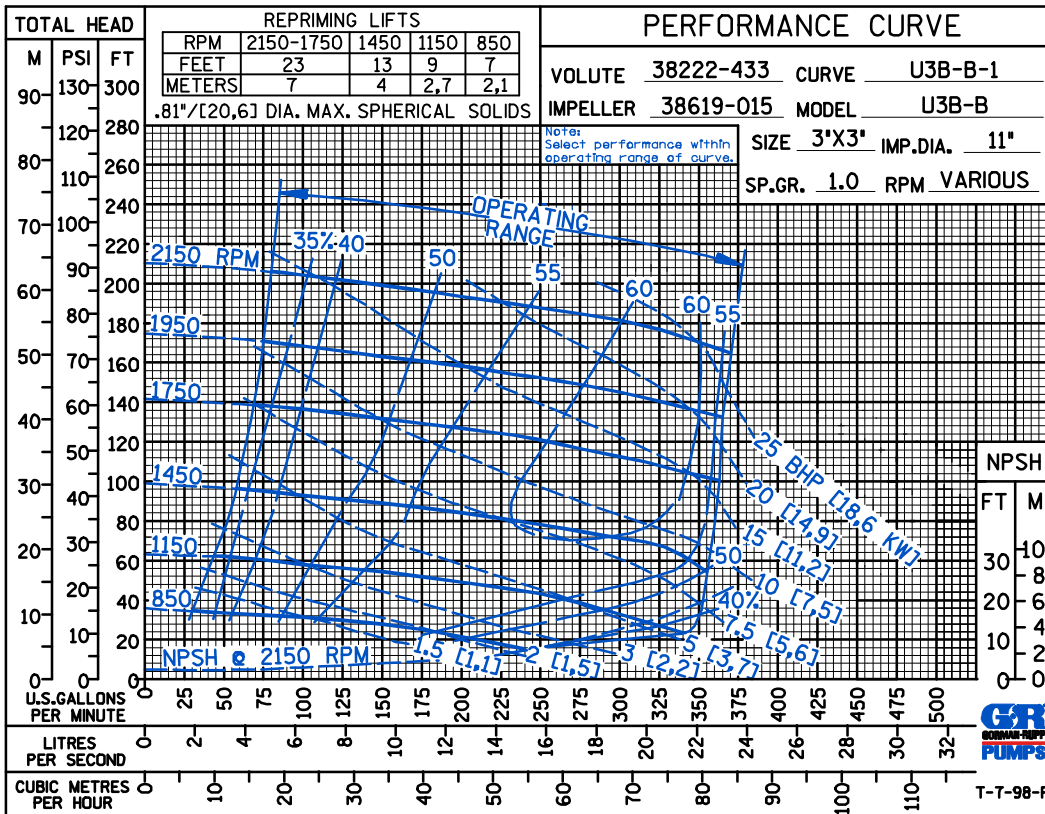
APPROXIMATE DIMENSIONS and WEIGHTS

**NET WEIGHT: 500 LBS. (227 KG.)**  
**SHIPPING WEIGHT: 521 LBS. (236 KG.)**  
**EXPORT CRATE: 14 CU. FT.(0,4 CU. M.)**

SECTION 50, PAGE 2720



**NOTE: OPTIONAL ASA OR DIN STANDARD SPOOL FLANGES AVAILABLE**



**THE GORMAN-RUPP COMPANY • MANSFIELD, OHIO**

GORMAN-RUPP OF CANADA LIMITED • ST. THOMAS, ONTARIO, CANADA

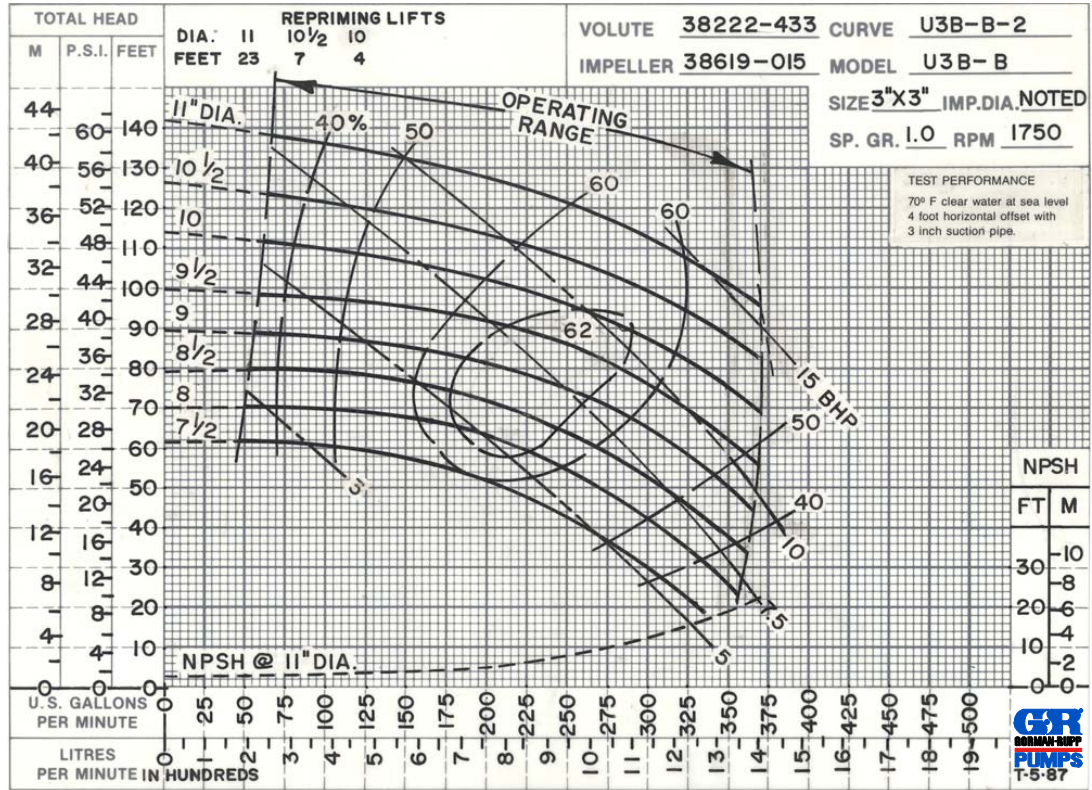
Specifications Subject to Change Without Notice

Printed in U.S.A.

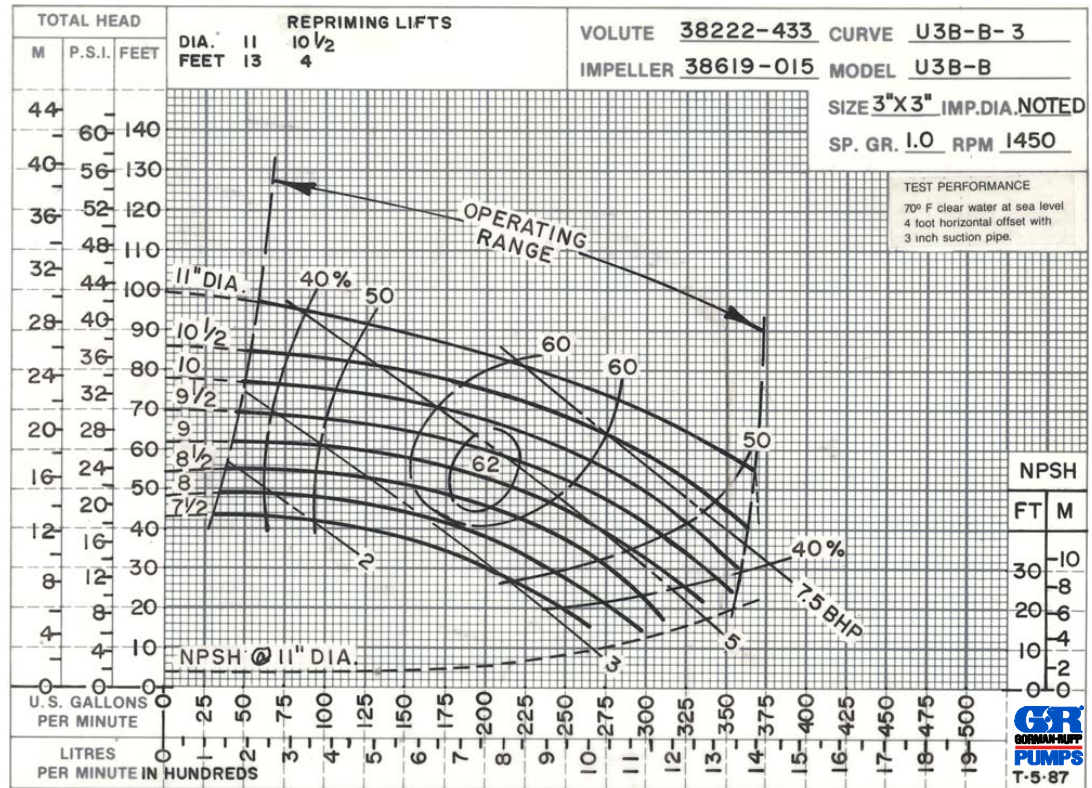


CDS

PERFORMANCE  
BASED ON  
WATER



50 HERTZ  
PERFORMANCE  
BASED ON  
WATER



THE GORMAN-RUPP COMPANY • MANSFIELD, OHIO

GORMAN-RUPP OF CANADA LIMITED • ST. THOMAS, ONTARIO, CANADA

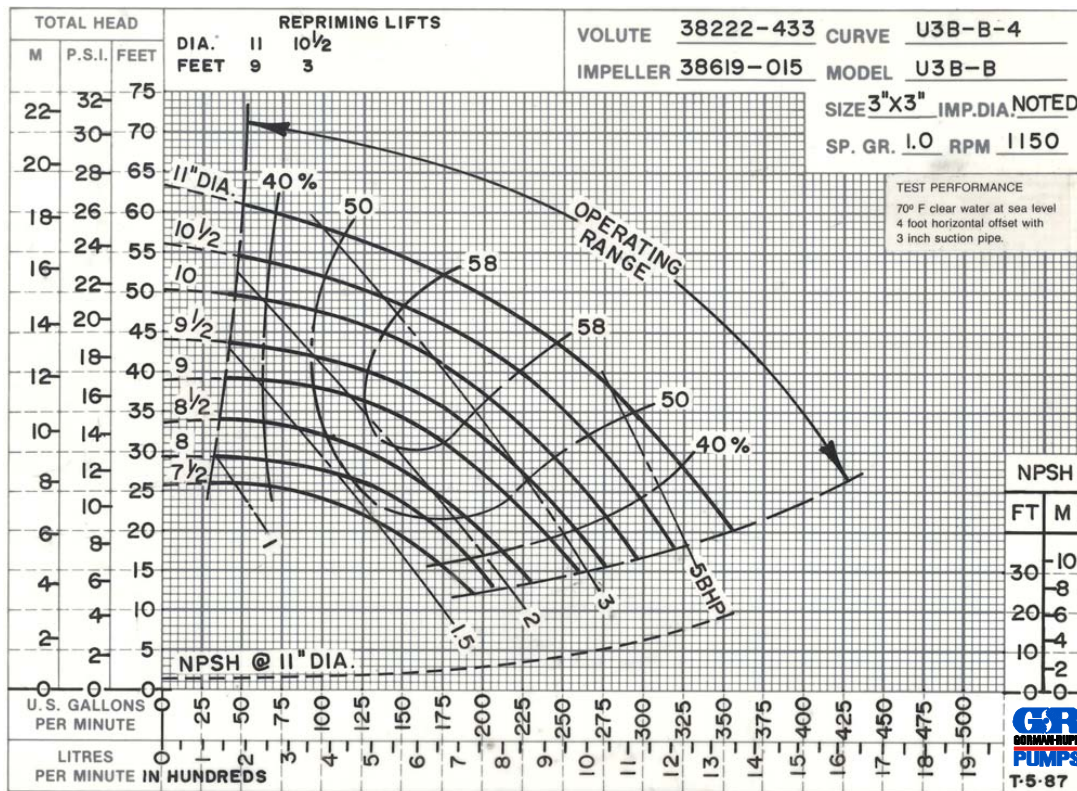
Specifications Subject to Change Without Notice

Printed in U.S.A.



CDS

PERFORMANCE  
BASED ON  
WATER



THE GORMAN-RUPP COMPANY • MANSFIELD, OHIO

GORMAN-RUPP OF CANADA LIMITED • ST. THOMAS, ONTARIO, CANADA

Specifications Subject to Change Without Notice

Printed in U.S.A.