

Basic Pump

Self Priming Centrifugal Pump



Model U4B60S-B

Size 4" x 4"



PUMP SPECIFICATIONS

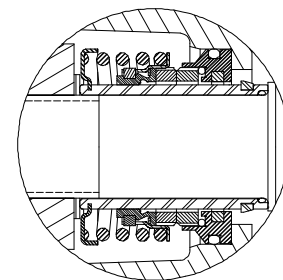
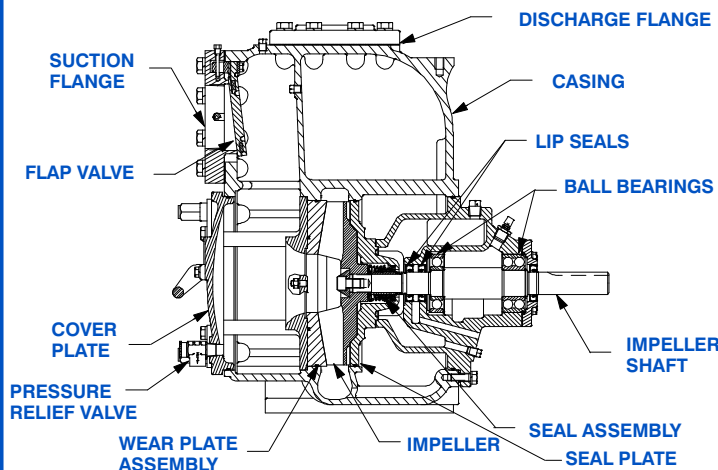
- Size:** 4" x 4" (102 mm x 102 mm) NPT - Female.
- Casing:** Gray Iron 30.
Maximum Operating Pressure 128 psi (883 kPa).*
- Semi-Open Type, Six Vane Impeller:** Ductile Iron 60-40-18.
Handles 13/16" (20,6 mm) Diameter Spherical Solids.
- Impeller Shaft:** Alloy Steel 4150.
- Replaceable Wear Plate:** Gray Iron 30.
- Removable Adjustable Cover Plate:** Gray Iron 30; 60 lbs. (27 kg).
- Bearing Housing:** Gray Iron 30.
- Seal Plate:** Gray Iron 30.
- Shaft Sleeve:** Alloy Steel 4130.
- Flap Valve:** Neoprene w/Nylon and Steel Reinforcing.
- Radial Bearing:** Open Single Row Ball.
- Thrust Bearing:** Open Double Row Ball.
- Bearing and Seal Cavity Lubrication:** SAE 30 Non-Detergent Oil.
- Flanges:** 125# Gray Iron 30.
- Gaskets:** Cork, Rubber, Vegetable Fiber, PTFE, Buna-N w/Compressed Synthetic Fibers.
- O-Rings:** Buna-N.
- Hardware:** Standard Plated Steel.
- Brass Pressure Relief Valve.**
- Bearing and Seal Cavity Oil Level Sight Gauges.**



Shown w/Optional Spool Flanges

Optional Equipment: Stainless Steel 316 Seal Plate, Wear Plate and Pressure Relief Valve. G-R Hard Iron Impeller, Seal Plate and Wear Plate. Automatic Air Release Valve. 120V/240V Casing Heater. High Pump Temperature Shutdown Kit. Permalon, Kalrez or Fluorocarbon Metal Bellows Seals. Stainless Steel Cartridge Seal.
Gray Iron 30 Suction and Discharge Spool Flanges:
4" ASA (Specify Model U4B60S-B /F).
100 mm DIN 2527 (PN 16) (Specify Model U4B60S-B /FM).

**Consult Factory for Applications Exceeding Maximum Pressure and/or Temperature Indicated.*



SEAL DETAIL

Cartridge Type, Mechanical, Oil-Lubricated, Double Floating, Self-Aligning. Silicon Carbide Rotating and Stationary Faces. Stainless Steel 316 Stationary Seat. Fluorocarbon Elastomers (DuPont Viton® or Equivalent). Stainless Steel 18-8 Cage and Spring. Maximum Temperature of Liquid Pumped, 160°F (71°C).*



GORMAN-RUPP PUMPS

www.grpumps.com

Specifications Subject to Change Without Notice

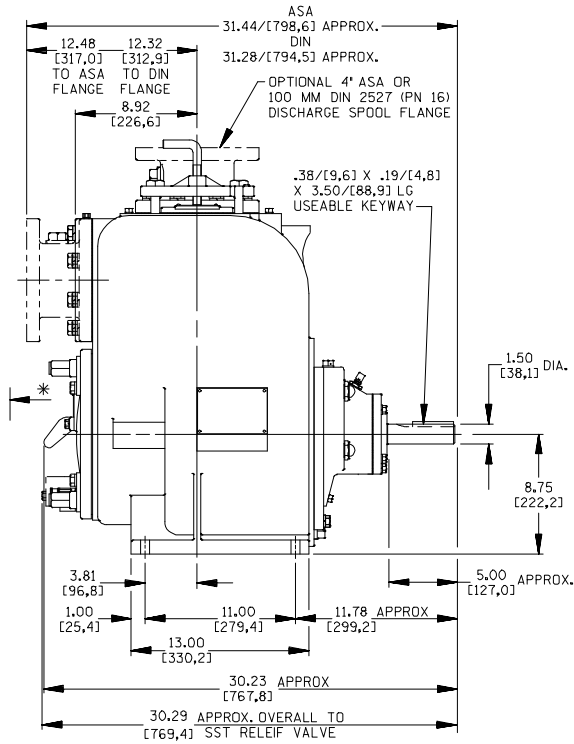
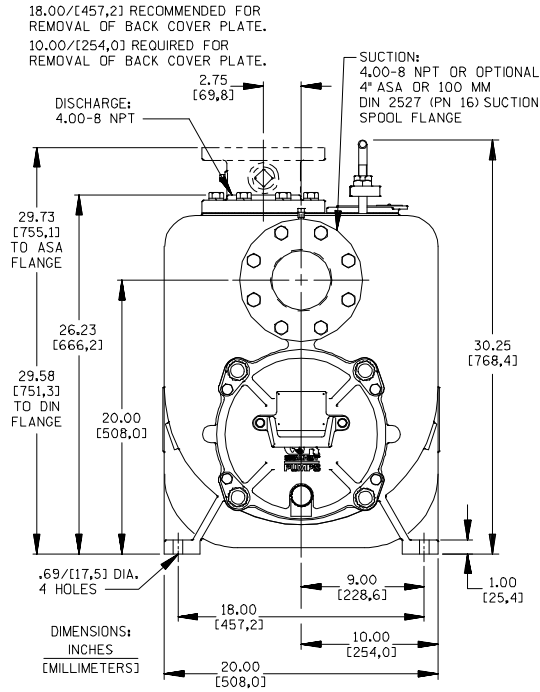
Printed in U.S.A.

Specification Data

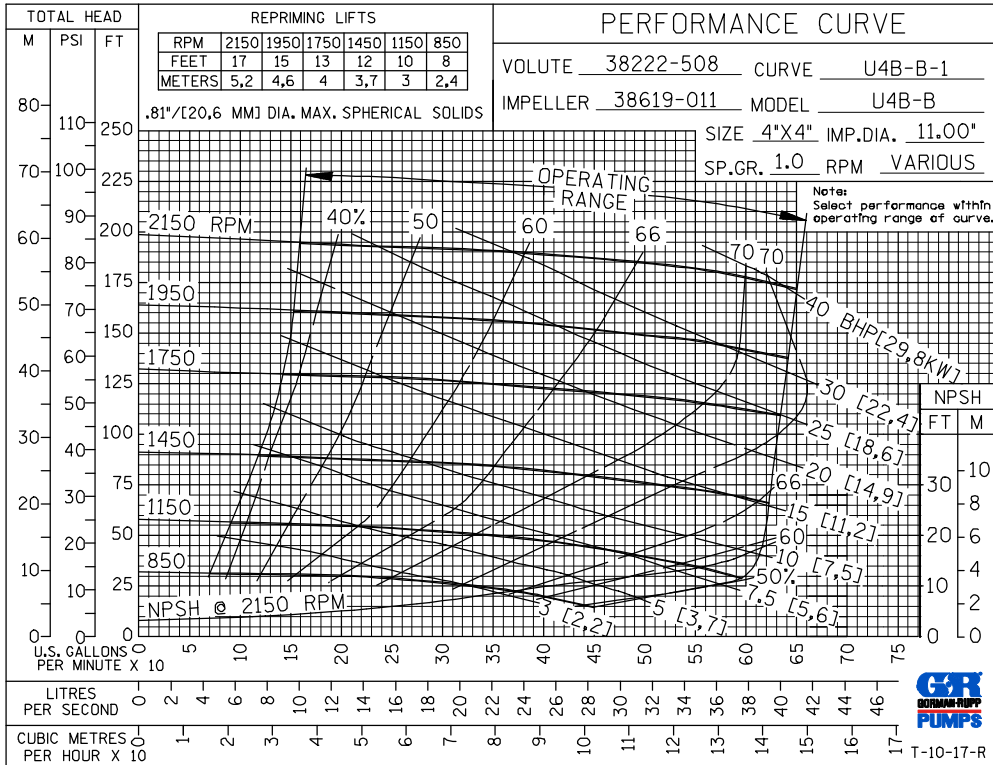
SECTION 50, PAGE 2820

APPROXIMATE DIMENSIONS and WEIGHTS

NET WEIGHT: 662 LBS. (300 KG.)
SHIPPING WEIGHT: 700 LBS. (318 KG.)
EXPORT CRATE: 18 CU. FT. (0,5 CU. M.)



NOTE: OPTIONAL ASA OR DIN STANDARD SPOOL FLANGES AVAILABLE



GORMAN-RUPP PUMPS

www.grpumps.com

Specifications Subject to Change Without Notice

Printed in U.S.A.