

Equipped With
ERADICATOR
Solids Management System

Self Priming Centrifugal Pump

Super
T SERIES

Model T10C71SC-B

Size 10" x 10"



PUMP SPECIFICATIONS

Size: 10" x 10" (254 mm x 254 mm) Flanged.

Casing: Gray Iron 30.

Maximum Operating Pressure 99 psi (683 kPa).*

Semi-Open Type, Two Vane Impeller: G-R Hard Iron.

Handles 3" (76,2 mm) Diameter Spherical Solids.

Impeller Shaft: Stainless Steel 17-4 PH.

Shaft Sleeve: Alloy Steel 4130.

Replaceable Front Wear Plate: G-R Hard Iron.

Replaceable Self-Cleaning Front Wear Plate Insert: ASTM A569
Hardened Steel.

Replaceable Rear Wear Plate: Carbon Steel ASTM A36.

Removable Clean-out Cover Plate: Gray Iron 30; 9 lbs. (4 kg.).

Flap Valve: Neoprene TM/Steel Reinforcing.

Seal Plate: G-R Hard Iron.

Bearing Housing: Gray Iron 30.

Radial and Thrust Bearings: Open Double Row Ball.

Bearing and Seal Cavity Lubrication: SAE 30 Non-Detergent Oil.

Suction Flange: Gray Iron 30.

Suction Head: Gray Iron 30.

Gaskets: Buna-N, PTFE, Cork and Rubber.

O-Rings: Buna-N.

Hardware: Standard Plated Steel.

Brass Pressure Relief Valve.

Bearing and Seal Cavity Oil Level Sight Gauges.

Optional Equipment: Tungsten Titanium Carbide Seal. Metal Bel-
lows Seal. Automatic Air Release Valve. 120V/240V Casing Heater.
High Pump Temperature Shutdown Kit. Gray Iron 30 Spool Flanges:
10" ASA Discharge.

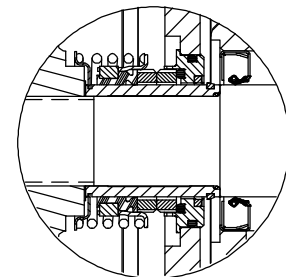
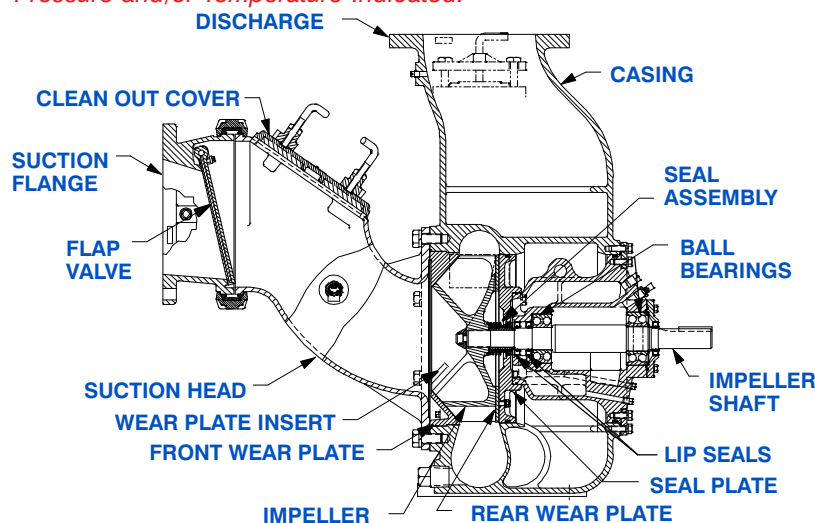
250 mm DIN 2527 (PN 16) Suction and Discharge

(Specify Model T10C71SC-B /FM).

*Consult Factory for Applications Exceeding Maximum
Pressure and/or Temperature Indicated.



Shown with Optional Discharge Spool
Flange (Suction/Discharge Spool Flanges
Available in ASA or DIN Standard Sizes).



SEAL DETAIL

Cartridge Type, Mechanical, Oil-Lubricated, Double Floating, Self-Aligning. Silicon Carbide Rotating and Stationary Faces. Stainless Steel 316 Stationary Seat. Fluorocarbon Elastomers (DuPont Viton[®] or Equivalent). Stainless Steel 18-8 Cage and Spring. Maximum Temperature of Liquid Pumped, 160°F (71°C).*

GR
GORMAN-RUPP
PUMPS

GORMAN-RUPP PUMPS

www.grpumps.com

Specifications Subject to Change Without Notice

Printed in U.S.A.

