

# Self Priming Centrifugal Pump

**ULTRA**  
SERIES

VARIOUS PATENTS APPLY

**Model V4A60-B**
**Size 6" x 4"**

**PUMP SPECIFICATIONS**
**Size:** 6" x 4" (152 mm x 102 mm).\*\*

**Casing:** Gray Iron 30.

Maximum Operating Pressure 118 psi (814 kPa).\*

**Semi-Open Type, Two Vane Impeller:** Ductile Iron 65-45-12.

Handles 3" (76,2 mm) Diameter Spherical Solids.

**Impeller Shaft:** Alloy Steel 4150.

**Self-Cleaning Replaceable Wear Plate:** Carbon Steel ASTM A36.

**Adjustable Back Cover Plate:** Gray Iron 30.

**Removable Inspection Cover Plate:** Gray Iron 30; 12 lbs. (5,4 kg.).

**Externally Removable Flap Valve:** Neoprene w/Nylon and Steel Reinforcing.

**Suction Flange/Flap Valve Seat:** Gray Iron 30.

**Bearing Housing:** Gray Iron 30.

**Seal Plate:** Gray Iron 30.

**Shaft Sleeve:** Alloy Steel 4130.

**Radial and Thrust Bearings:** Open Single Row Ball.

**Bearing and Seal Cavity Lubrication:** SAE 30 Non-Detergent Oil.

**Gaskets:** Buna-N, Compressed Synthetic Fibers, Vegetable Fiber, PTFE, Cork, and Rubber.

**O-Rings:** Buna-N.

**Hardware:** Standard Plated Steel.

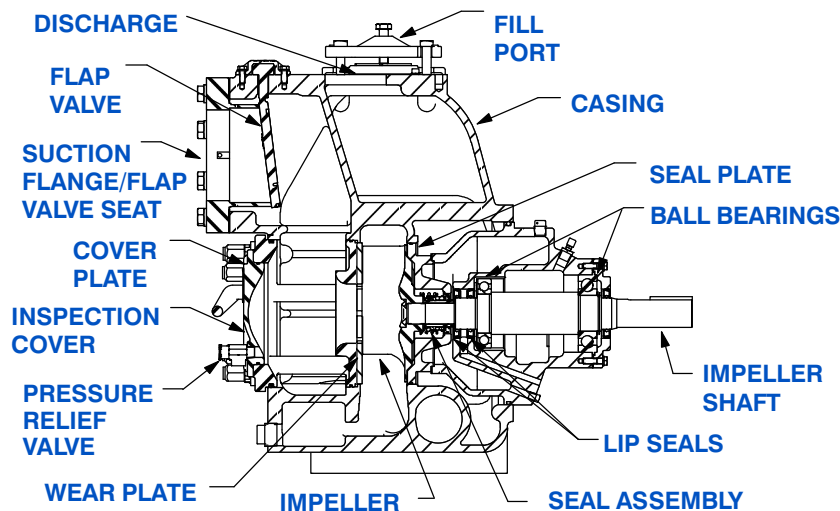
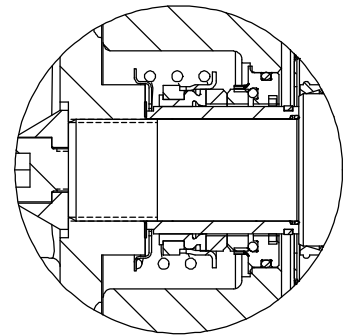
**Brass Pressure Relief Valve.**
**Bearing and Seal Cavity Oil Level Sight Gauges.**
**Optional Equipment:** Automatic Air Release Valve. High Pump Temperature Shutdown Kit. Stainless Steel/G-R Hard Iron Impeller, Seal Plate and Wear Plate. Cartridge Seal w/Stainless Steel Sleeve. 120/240 Volt Casing Heater.

\*\* Optional Gray Iron 30 Flanges Available as Follows (See Price Sheets):

4" Female NPT Discharge Flange Kit.

6" and 4" ASA Suction/Discharge Spool Flange Kits.

150 mm and 100 mm DIN 2527 (PN 16) Suction/Discharge Spool Flange Kits.


**SEAL DETAIL**

Cartridge Type, Mechanical, Oil-Lubricated, Double Floating, Self-Aligning. Silicon Carbide Rotating and Stationary Faces. Stainless Steel 316 Stationary Seat. Fluorocarbon Elastomers (DuPont Viton® or Equivalent). Stainless Steel 18-8 Cage and Spring. Maximum Temperature of Liquid Pumped, 160°F (71°C).\*

\* Consult Factory for Applications Exceeding Maximum Pressure and/or Temperature Indicated.

**GORMAN-RUPP**  
PUMPS

**GORMAN-RUPP PUMPS**
[www.grpumps.com](http://www.grpumps.com)

Specifications Subject to Change Without Notice

Printed in U.S.A.

**Specification Data**

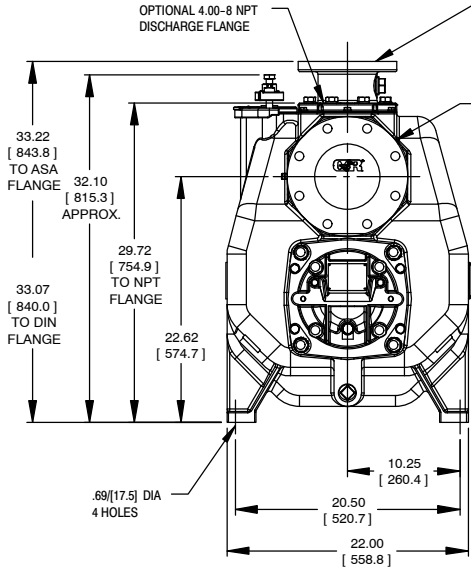
**NET WEIGHT: 885 LBS. (401 KG.)\***  
**SHIPPING WEIGHT: 955 LBS. (433 KG.)\***  
**EXPORT CRATE: 18 CU. FT. (0,5 CU. M.)**  
**\*WEIGHTS DO NOT INCLUDE OPTIONAL FLANGE KITS.**

**SECTION 55, PAGE 2600**

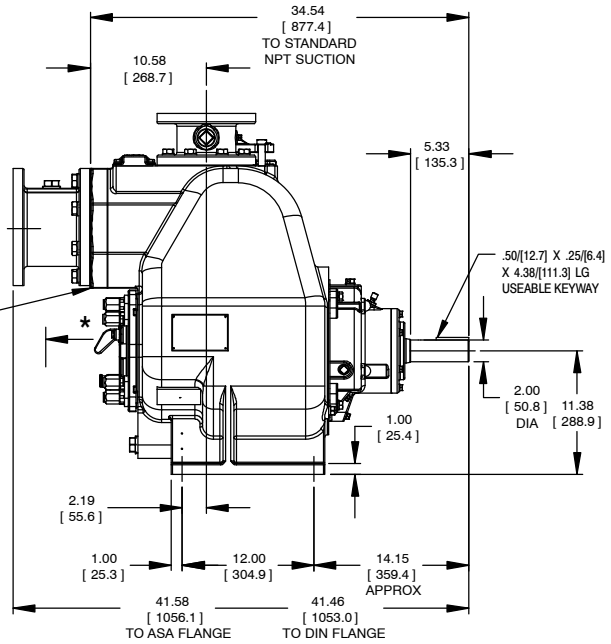
**APPROXIMATE DIMENSIONS and WEIGHTS**

★ 18.00/[457.2] RECOMMENDED FOR REMOVAL OF BACK PLATE

10.50/[266.7] REQUIRED FOR REMOVAL OF BACK PLATE

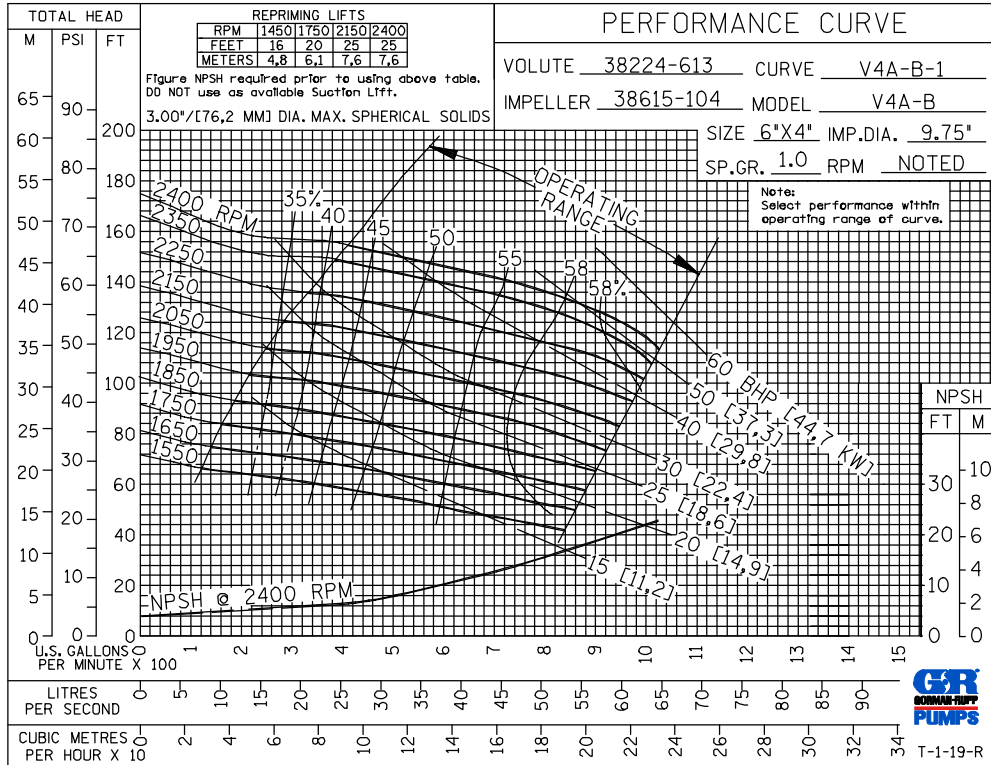


DIMENSIONS:  
INCHES  
[MILLIMETERS]



**OPTIONAL SUCTION & DISCHARGE FLANGES SHOWN IN PHANTOM**

**60 HERTZ PERFORMANCE BASED ON WATER**



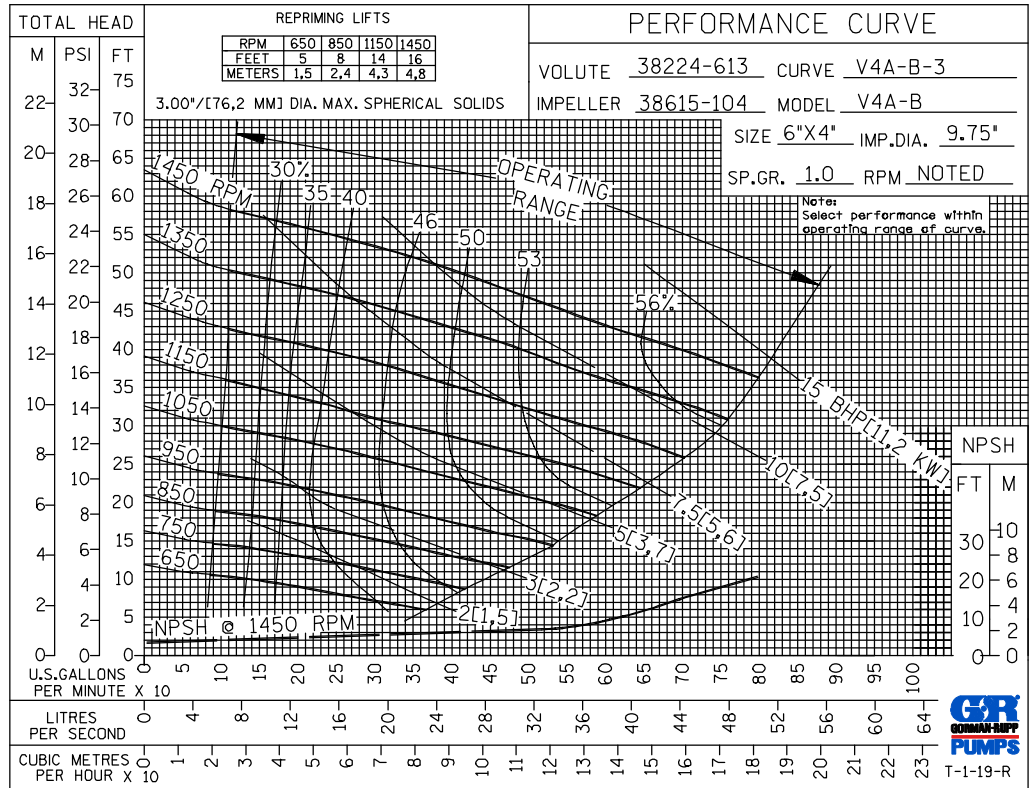
**GORMAN-RUPP PUMPS**

www.grpumps.com

Specifications Subject to Change Without Notice

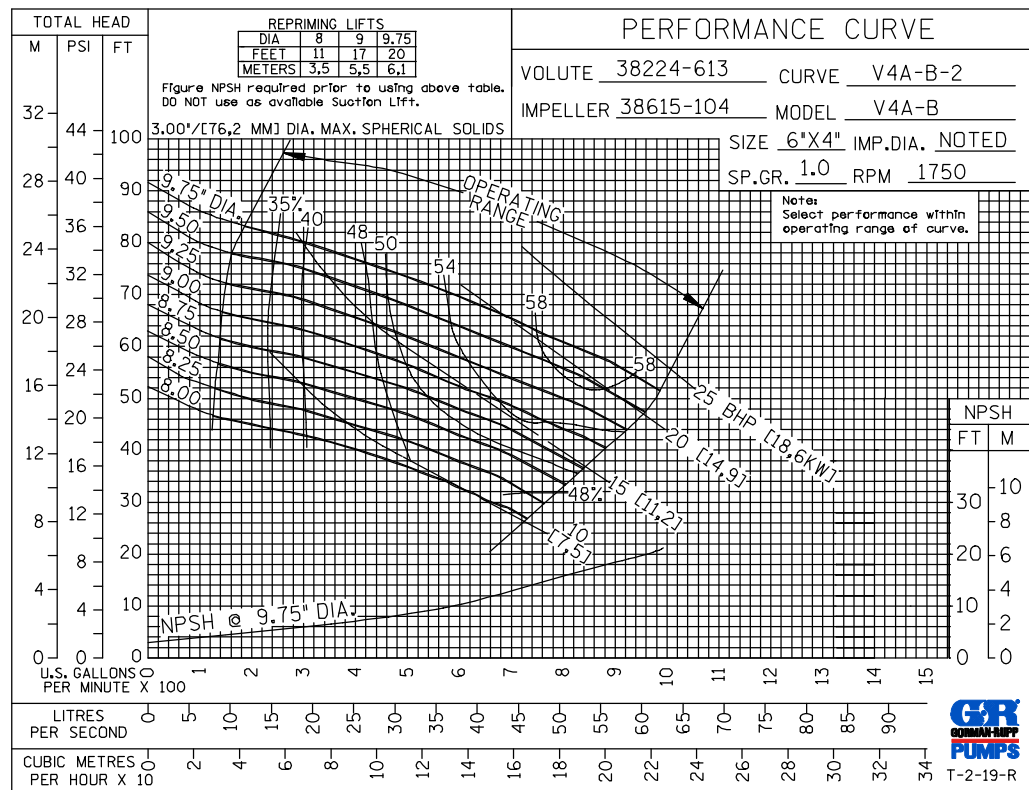
Printed in U.S.A.

**60 HERTZ  
PERFORMANCE  
BASED ON  
WATER**



**60 HERTZ  
PERFORMANCE  
BASED ON  
WATER**

**TRIMMED  
IMPELLER**

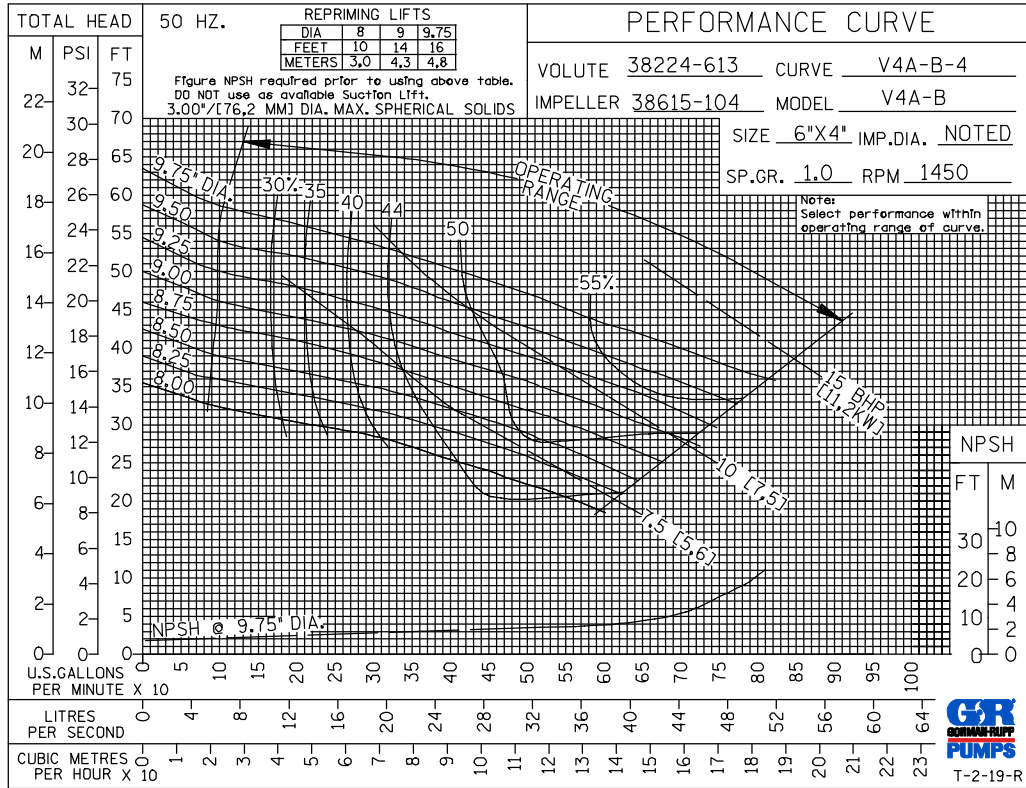


GORMAN-RUPP PUMPS

www.grpumps.com

Specifications Subject to Change Without Notice

Printed in U.S.A.



50 HERTZ  
PERFORMANCE  
BASED ON  
WATER

TRIMMED  
IMPELLER



GORMAN-RUPP PUMPS

www.grpumps.com

Specifications Subject to Change Without Notice

Printed in U.S.A.