



# Self Priming Centrifugal Pump

## Model V6C60SC-B

Size 8" x 6"



VARIOUS PATENTS APPLY

**PUMP SPECIFICATIONS**

**Size:** 8" x 6" (203 mm x 154 mm). \*\*

**Casing:** Gray Iron 30.

Maximum Operating Pressure 129 psi (889 kPa). \*

**Semi-Open Type, Two Vane Impeller:** Ductile Iron 65-45-12.

Handles 3" (76.2 mm) Diameter Spherical Solids.

**Impeller Shaft:** Alloy Steel 4150.

**Replaceable Eradicator Wear Plate:** Carbon Steel ASTM A36.

**Shimless Adjustable Cover Plate:** Gray Iron 30.

**Removable Inspection Cover Plate:** Gray Iron 30.

**Externally Removable Flap Valve:** Neoprene w/Nylon and Steel Reinforcing.

**Suction Flange/Flap Valve Seat:** Gray Iron 30.

**Bearing Housing:** Gray Iron 30.

**Seal Plate:** Gray Iron 30.

**Shaft Sleeve:** Alloy Steel 4130.

**Radial and Thrust Bearings:** Open Double Row Ball.

**Bearing and Seal Cavity Lubrication:** SAE 30 Non-Detergent Oil.

**Gaskets:** Buna-N, Compressed Synthetic Fibers, Vegetable Fiber, PTFE, Cork and Rubber.

**O-Rings:** Buna-N.

**Hardware:** Standard Plated Steel.

**Brass Pressure Relief Valve.**

**Bearing and Seal Cavity Oil Level Sight Gauges.**

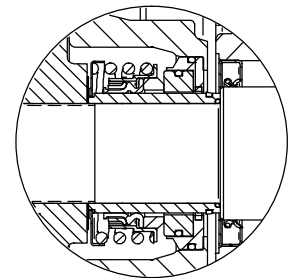
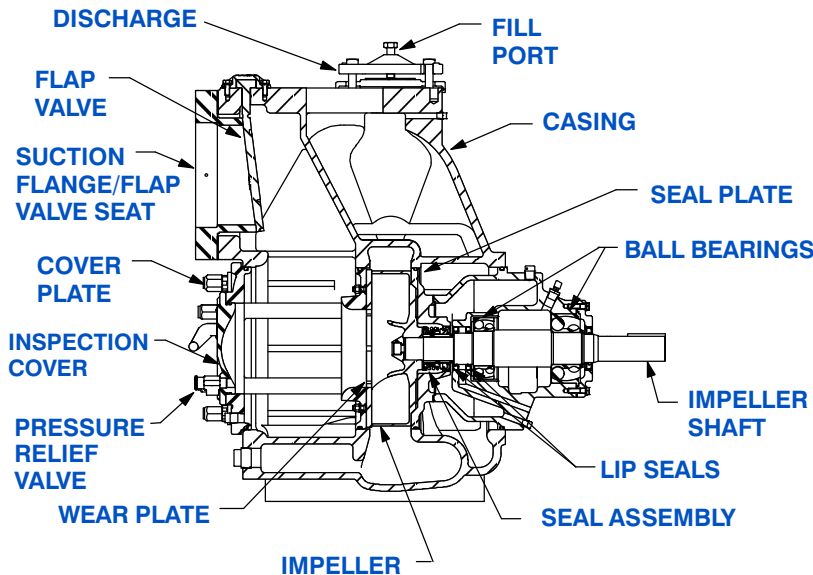
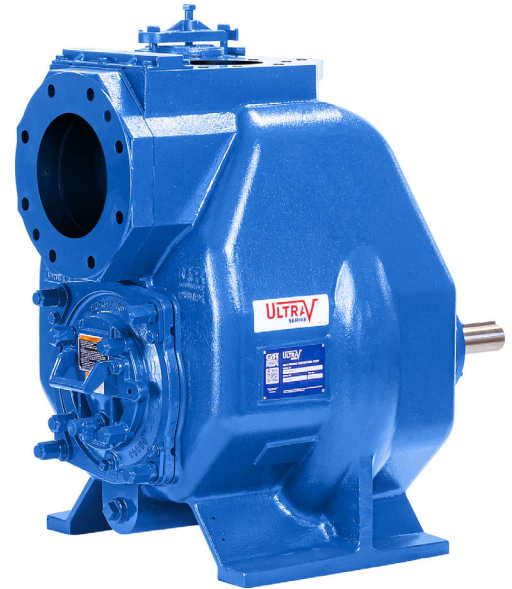
**Optional Equipment:** Automatic Air Release Valve. High Pump Temperature Shutdown Kit. Cartridge Seal w/Stainless Steel Sleeve. 120/240 Volt Casing Heater.

\*\* Optional Gray Iron 30 Flanges Available as Follows (See Price Sheets):

8" and 6" Female NPT Suction/Discharge Flange Kits.

8" and 6" ASA Suction/Discharge Spool Flange Kits.

200 mm and 150 mm DIN 2527 (PN 16) Suction/Discharge Spool Flange Kits.



**SEAL DETAIL**

Cartridge Type, Mechanical, Oil-Lubricated, Double Floating, Self-Aligning. Silicon Carbide Rotating and Stationary Faces. Stainless Steel 316 Stationary Seat. Fluorocarbon Elastomers (DuPont Viton® or Equivalent). Stainless Steel 18-8 Cage and Spring. Maximum Temperature of Liquid Pumped, 160°F (71°C).\*

**\* Consult Factory for Applications Exceeding Maximum Pressure and/or Temperature Indicated.**



GORMAN-RUPP PUMPS

www.grpumps.com

Specifications Subject to Change Without Notice

Printed in U.S.A.

# Specification Data

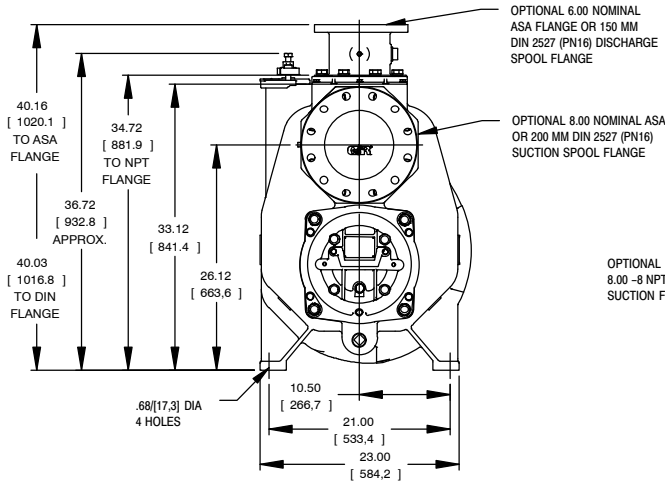
**NET WEIGHT:** 1130 LBS. (512 KG.)\*  
**SHIPPING WEIGHT:** 1240 LBS. (562 KG.)\*  
**EXPORT CRATE:** 25 CU. FT. (0,71 CU. M.)  
 \*WEIGHTS DO NOT INCLUDE OPTIONAL FLANGE KITS.

SECTION 55, PAGE 2725

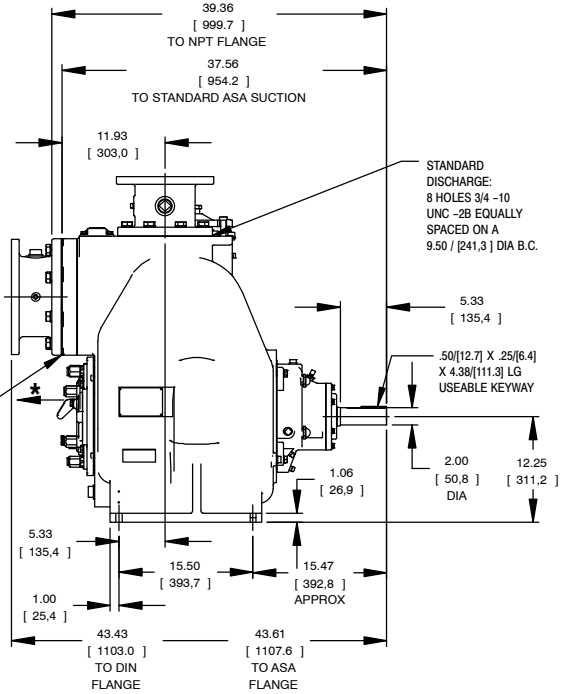
## APPROXIMATE DIMENSIONS and WEIGHTS

\* 24.00/[609,6] RECOMMENDED FOR REMOVAL OF BACK COVER PLATE

14.00/[355,6] REQUIRED FOR REMOVAL OF BACK COVER PLATE



DIMENSIONS:  
INCHES  
[MILLIMETERS]



OPTIONAL 6.00 NOMINAL ASA FLANGE OR 150 MM DIN 2527 (PN16) DISCHARGE SPOOL FLANGE

OPTIONAL 8.00 NOMINAL ASA OR 200 MM DIN 2527 (PN16) SUCTION SPOOL FLANGE

OPTIONAL 8.00-8 NPT SUCTION FLANGE

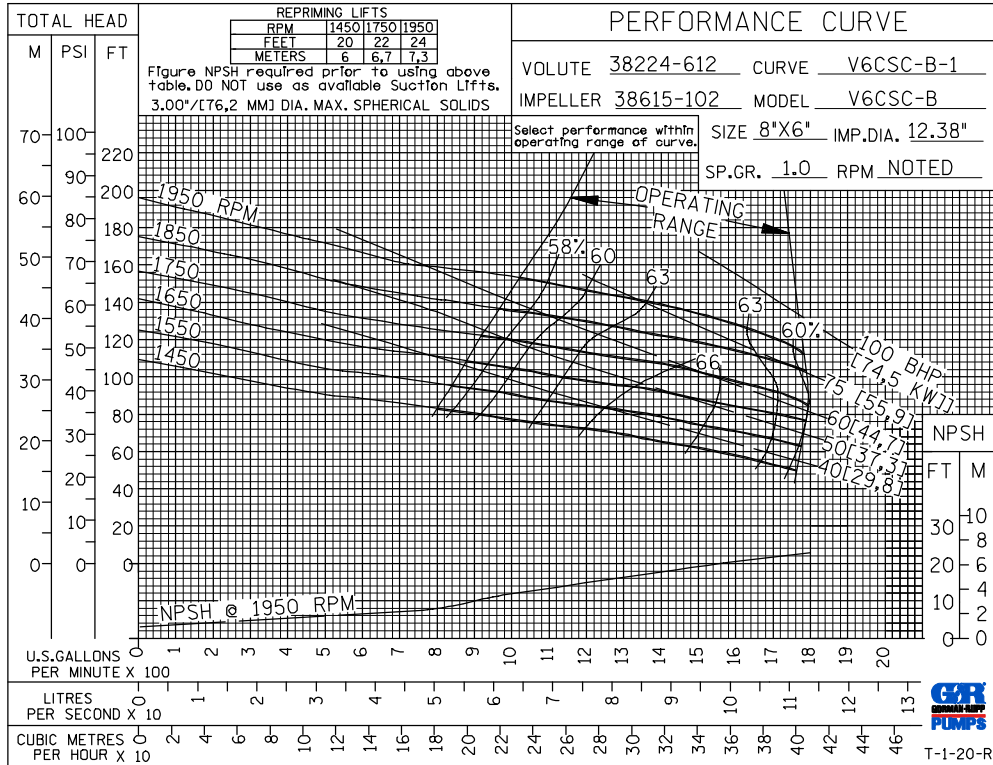
STANDARD DISCHARGE: 8 HOLES 3/4 -10 UNC -2B EQUALLY SPACED ON A 9.50/[241,3] DIA B.C.

.50/[12,7] X .25/[6,4] X 4.38/[111,3] LG USEABLE KEYWAY

2.00 DIA

12.25 DIA

**60 HERTZ PERFORMANCE BASED ON WATER**



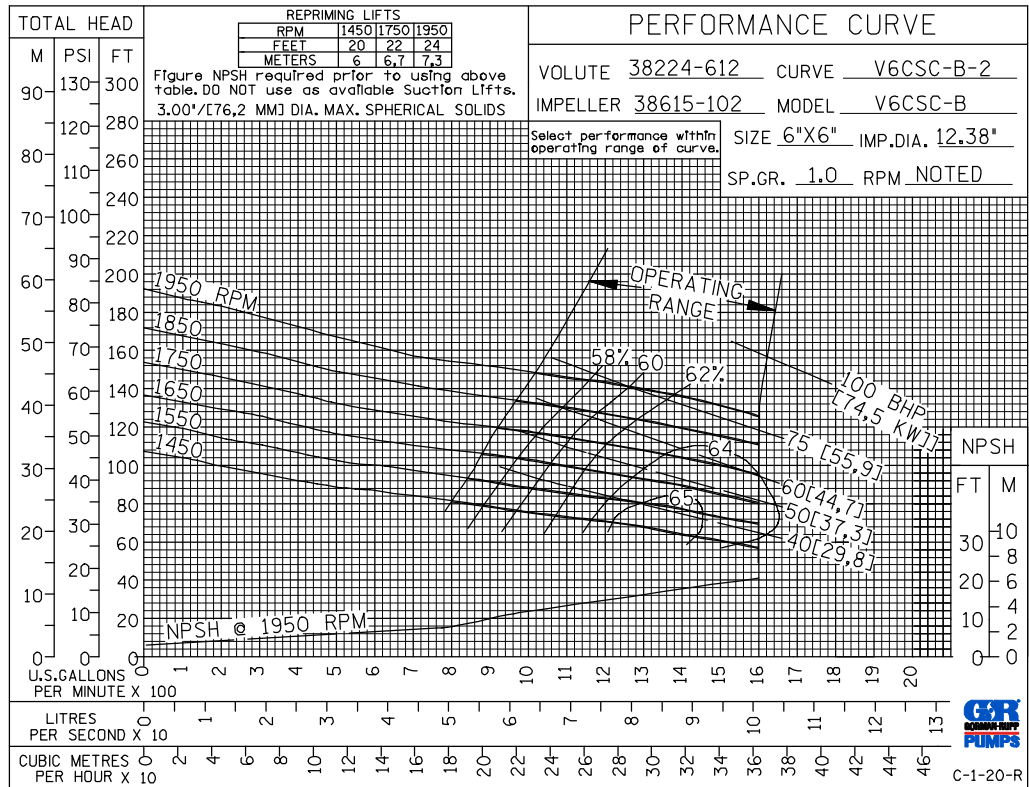
# GORMAN-RUPP PUMPS

www.grpumps.com

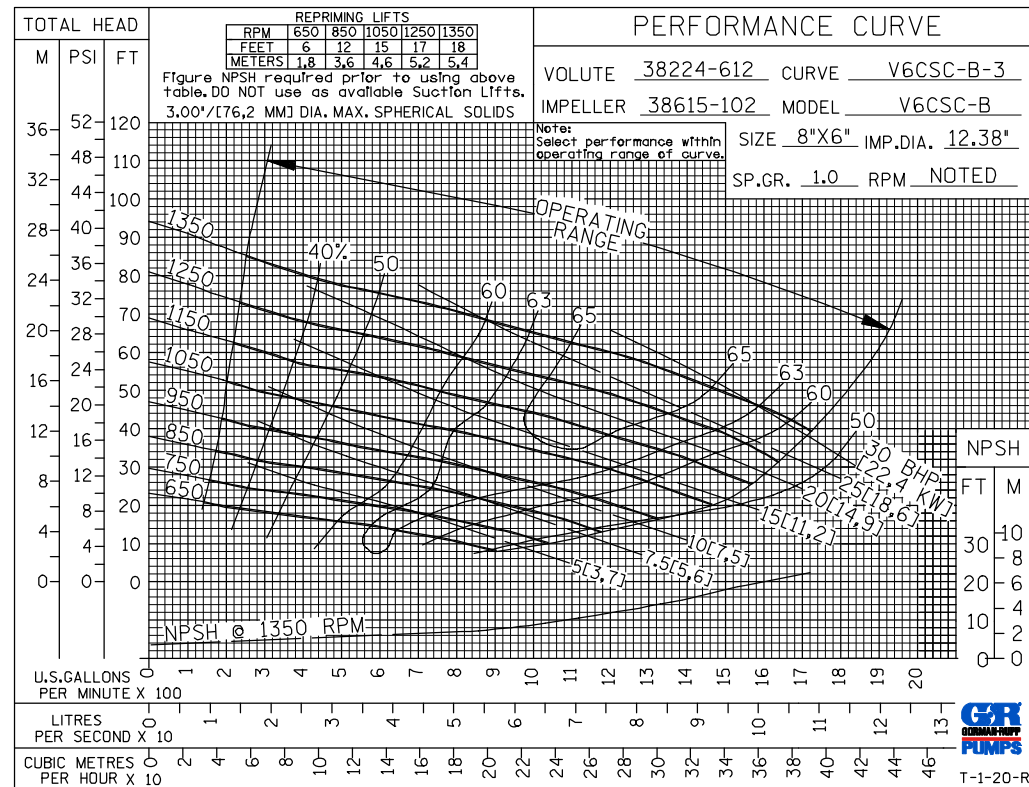
Specifications Subject to Change Without Notice

Printed in U.S.A.

**60 HERTZ  
PERFORMANCE  
FOR REDUCED  
SUCTION  
BASED ON  
WATER**



**60 HERTZ  
PERFORMANCE  
BASED ON  
WATER**



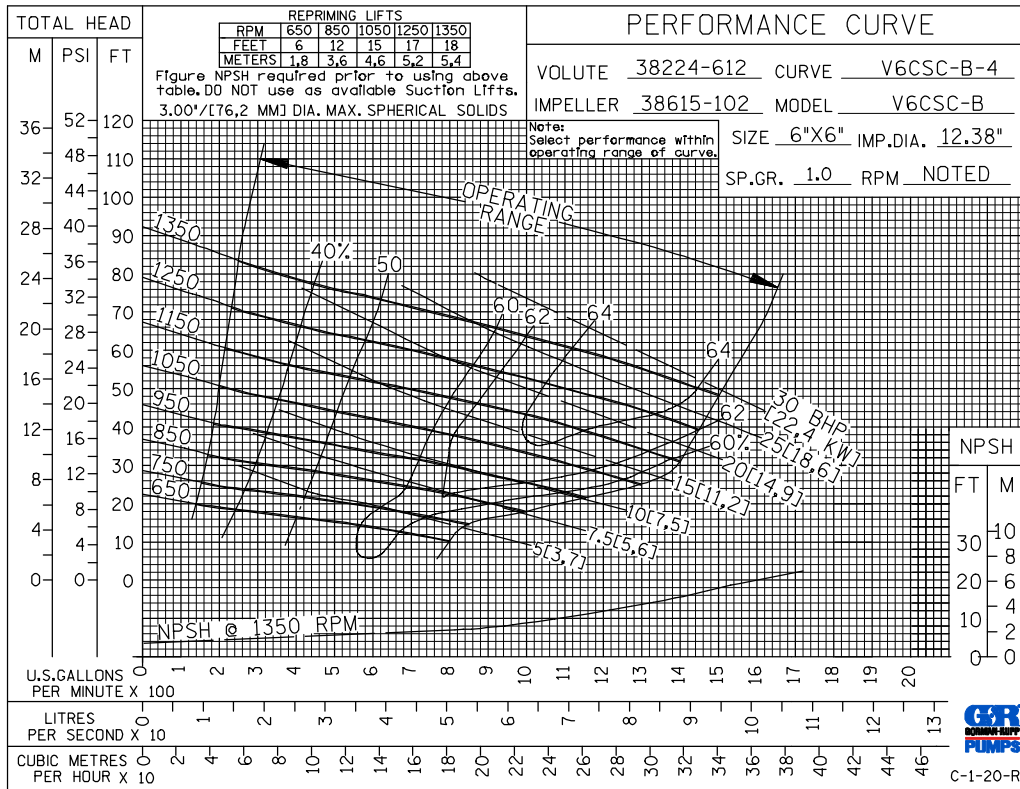
GORMAN-RUPP PUMPS

www.grpumps.com

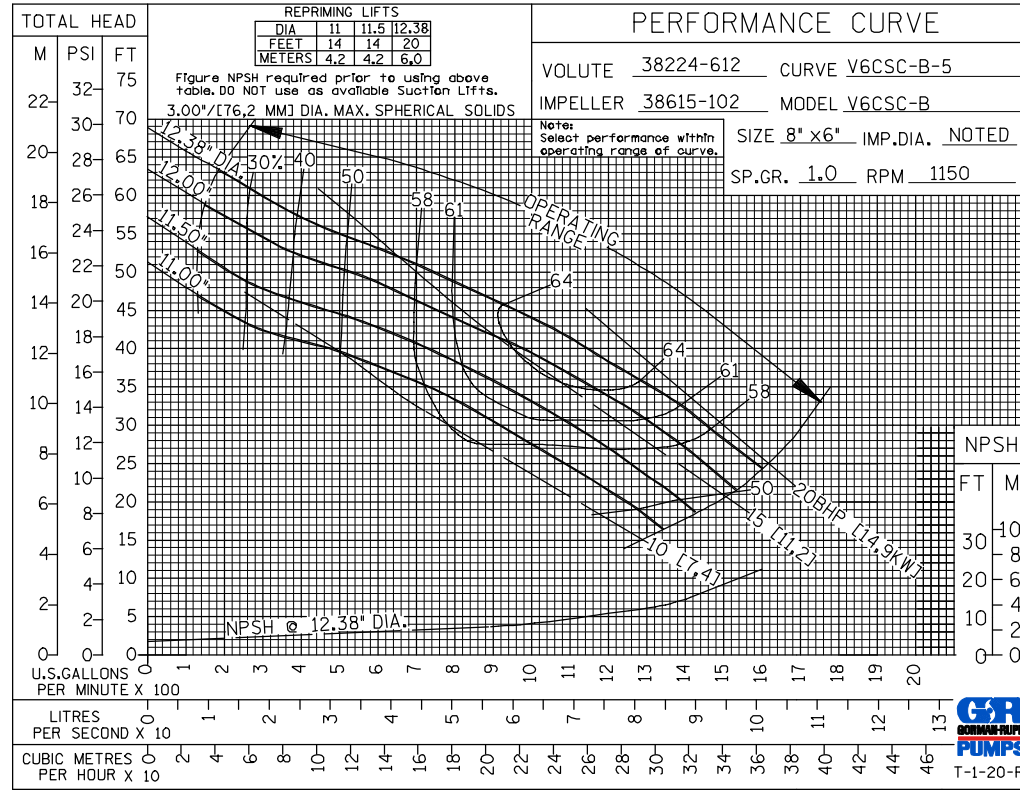
Specifications Subject to Change Without Notice

Printed in U.S.A.

**60 HERTZ  
PERFORMANCE  
FOR REDUCED  
SUCTION  
BASED ON  
WATER**



**60 HERTZ  
PERFORMANCE  
BASED ON  
WATER  
TRIMMED  
IMPELLER**



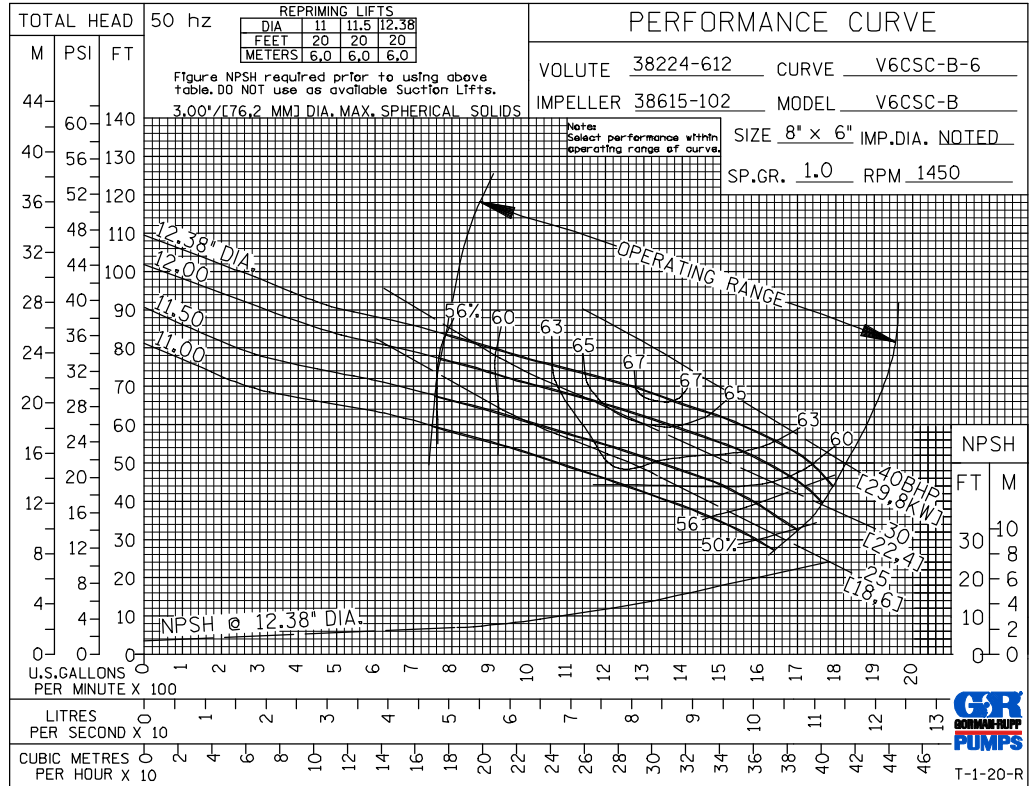
GORMAN-RUPP PUMPS

www.grpumps.com

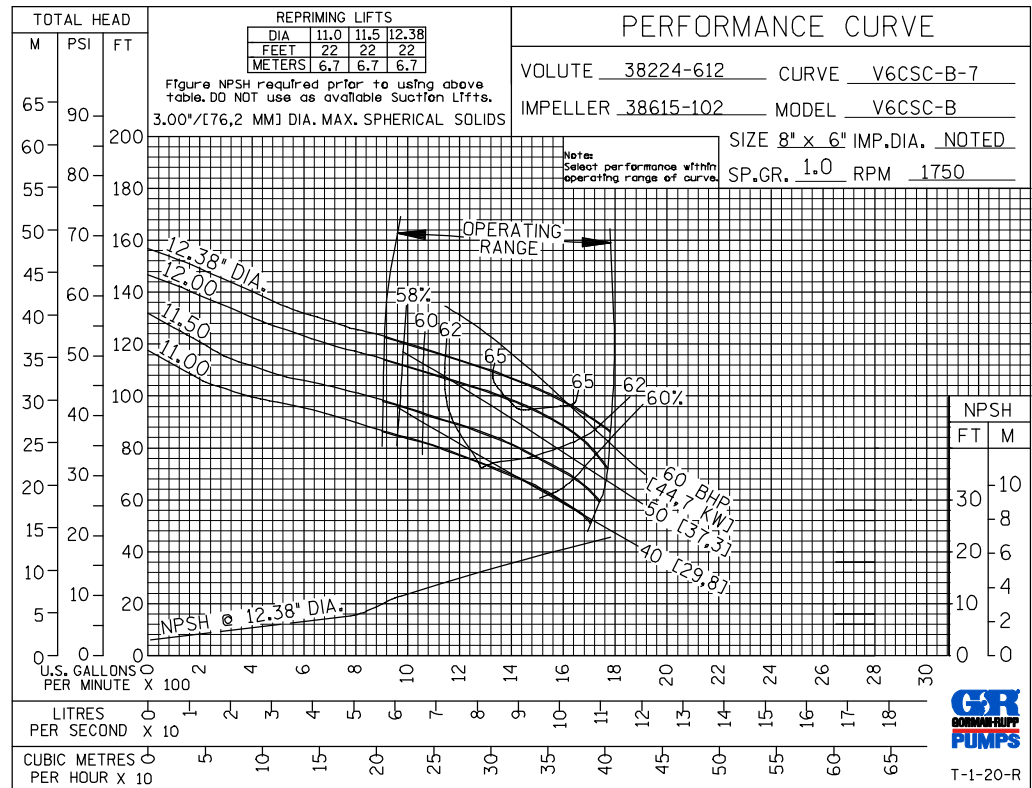
Specifications Subject to Change Without Notice

Printed in U.S.A.

**50 HERTZ  
PERFORMANCE  
BASED ON  
WATER  
TRIMMED  
IMPELLER**



**60 HERTZ  
PERFORMANCE  
BASED ON  
WATER  
TRIMMED  
IMPELLER**



GORMAN-RUPP PUMPS

www.grpumps.com

Specifications Subject to Change Without Notice

Printed in U.S.A.