

# Self Priming Centrifugal Pumps

Ultra V Series<sup>®</sup> Basic Pump<sup>™</sup>/UltraMate<sup>®</sup> Second Stage



Model VS3B60-B

Size 4" x 3"



VARIOUS PATENTS APPLY

**PUMP SPECIFICATIONS**

**Size:** 4" x 3" (102 mm x 76 mm) – Flanged.\*\*

**Casings:** Gray Iron 30.

Maximum Operating Pressure 176 psi (1213 kPa).\*

**Semi-Open Type, Two Vane Impellers:** Ductile Iron 65-45-12.

Handles 3" (76,2 mm) Diameter Spherical Solids.

**Impeller Shafts:** Stainless Steel 17-4 PH.

**Self-Cleaning Replaceable Wear Plates:** Carbon Steel ASTM A36.

**Shimless Adjustable Cover Plates:** Gray Iron 30.

**Removable Inspection Cover Plate:** Gray Iron 30; 12 lbs. (5,4 kg.).

**Suction Flange:** Gray Iron 30.

**Bearing Housings:** Gray Iron 30.

**Seal Plates:** Gray Iron 30.

**Shaft Sleeves:** Alloy Steel 4130.

**Radial Bearings:** Open Single Row Ball.

**Thrust Bearings:** Open Double Row Ball.

**Bearing and Seal Cavity Lubrication:** SAE 30 Non-Detergent Oil.

**Gaskets:** Buna-N, Compressed Synthetic Fibers, Vegetable Fiber, PTFE, Cork, and Rubber.

**O-Rings:** Buna-N.

**Transition Chamber:** Ductile Iron 65-45-12.

**Hardware:** Standard Plated Steel.

**Brass Pressure Relief Valves.**

**Bearing and Seal Cavity Oil Level Sight Gauges.**

**Optional Equipment:** Automatic Air Release Valve. High Pump

Temperature Shutdown Kit. Stainless Steel/G-R Hard Iron Impellers, Wear Plates and Seal Plates. 120/240 Volt Casing Heater.

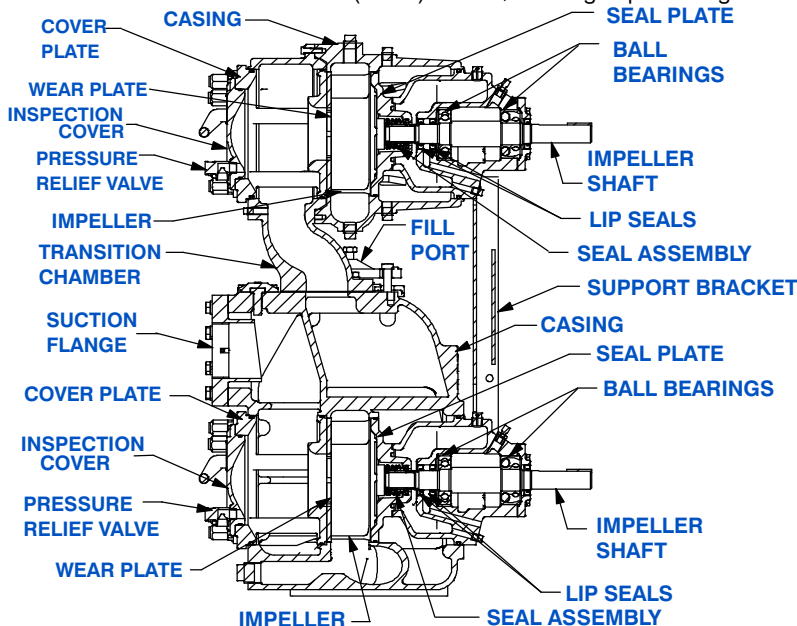
\*\* Optional Gray Iron 30 Flange Kits Available as Follows

(See Price Sheets):

3" Female NPT Discharge Flange Kit.

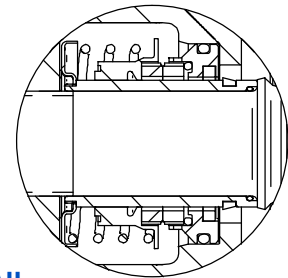
4" and 3" ASA Suction/Discharge Spool Flange Kits.

100 mm and 80 mm DIN 2527 (PN 16) Suction/Discharge Spool Flange Kits.



UltraMate<sup>®</sup> Second Stage

Ultra V Basic Pump



**SEAL DETAIL**

Cartridge Type, Mechanical, Oil-Lubricated, Double Floating, Self-Aligning. Silicon Carbide Rotating and Stationary Faces. Stainless Steel 316 Stationary Seat. Fluorocarbon Elastomers (DuPont Viton<sup>®</sup> or Equivalent). Stainless Steel 18-8 Cage and Spring. Maximum Temperature of Liquid Pumped, 160°F (71°C).\*

\* Consult Factory for Applications Exceeding Maximum Pressure and/or Temperature Indicated.



GORMAN-RUPP PUMPS

www.grpumps.com

Specifications Subject to Change Without Notice

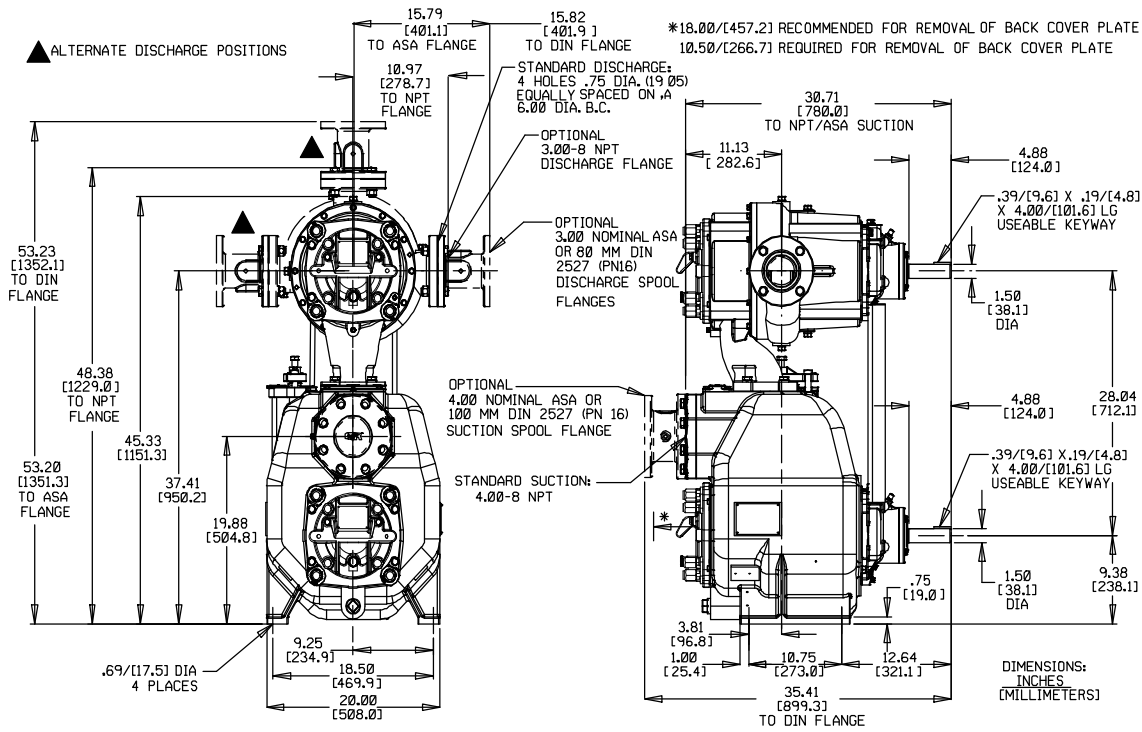
Printed in U.S.A.

**Specification Data**

SECTION 55, PAGE 3050

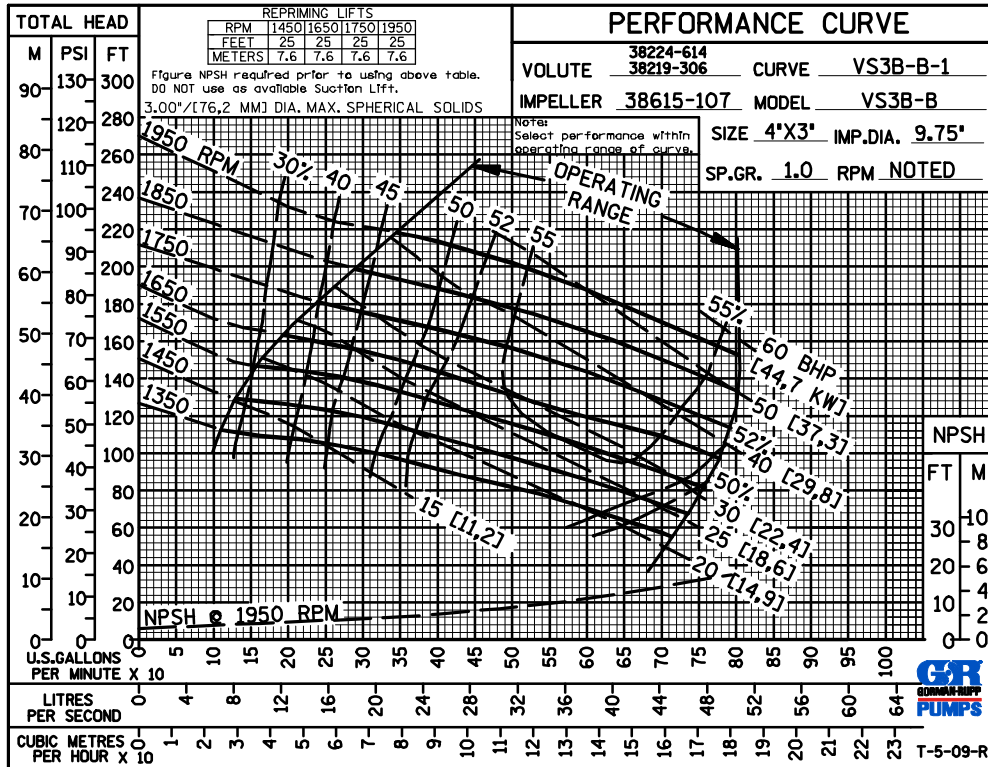
**APPROXIMATE DIMENSIONS and WEIGHTS**

**NET WEIGHT: 1120 LBS. (508 KG.)\***  
**SHIPPING WEIGHT: 1195 LBS. (542 KG.)\***  
**EXPORT CRATE: 42.9 CU. FT. (1,2 CU. M.)**  
**\*WEIGHTS DO NOT INCLUDE OPTIONAL FLANGE KITS.**



OPTIONAL SUCTION & DISCHARGE FLANGES SHOWN IN PHANTOM

**TOTAL COMBINED H.P. SHOWN**



**GORMAN-RUPP PUMPS**

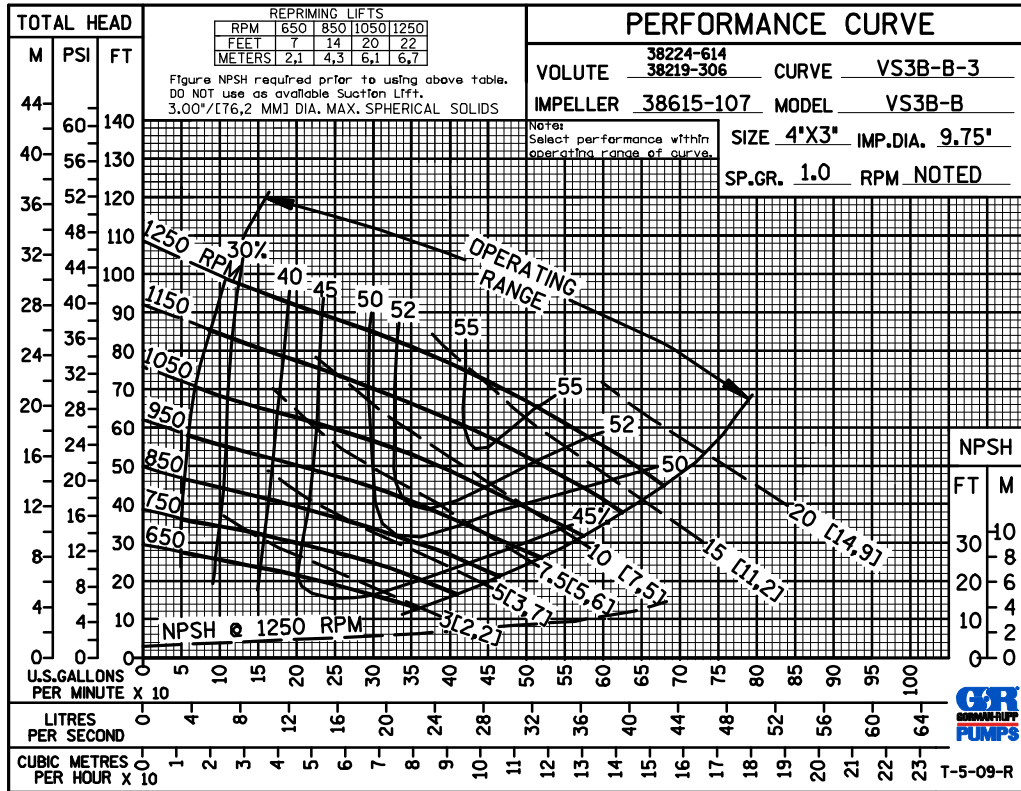
www.grpumps.com

Specifications Subject to Change Without Notice

Printed in U.S.A.

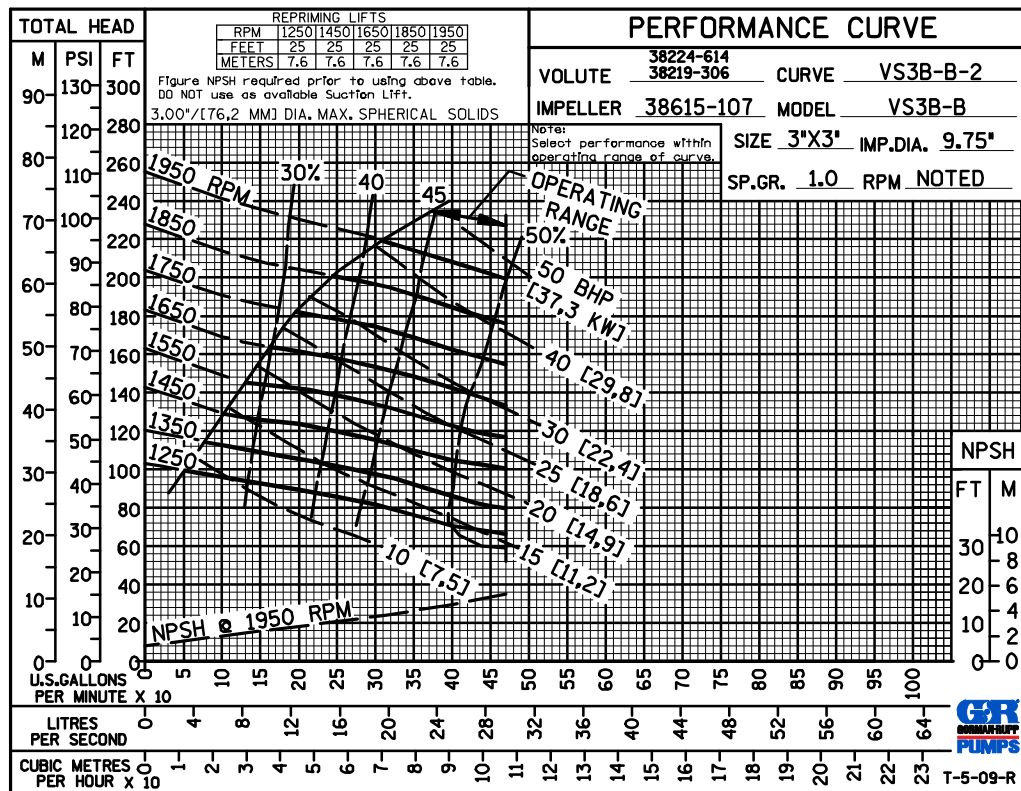
TOTAL  
COMBINED  
H.P. SHOWN

Performance  
Based on  
Water



TOTAL  
COMBINED  
H.P. SHOWN

PERFORMANCE  
FOR REDUCED  
SUCTION  
BASED ON  
WATER

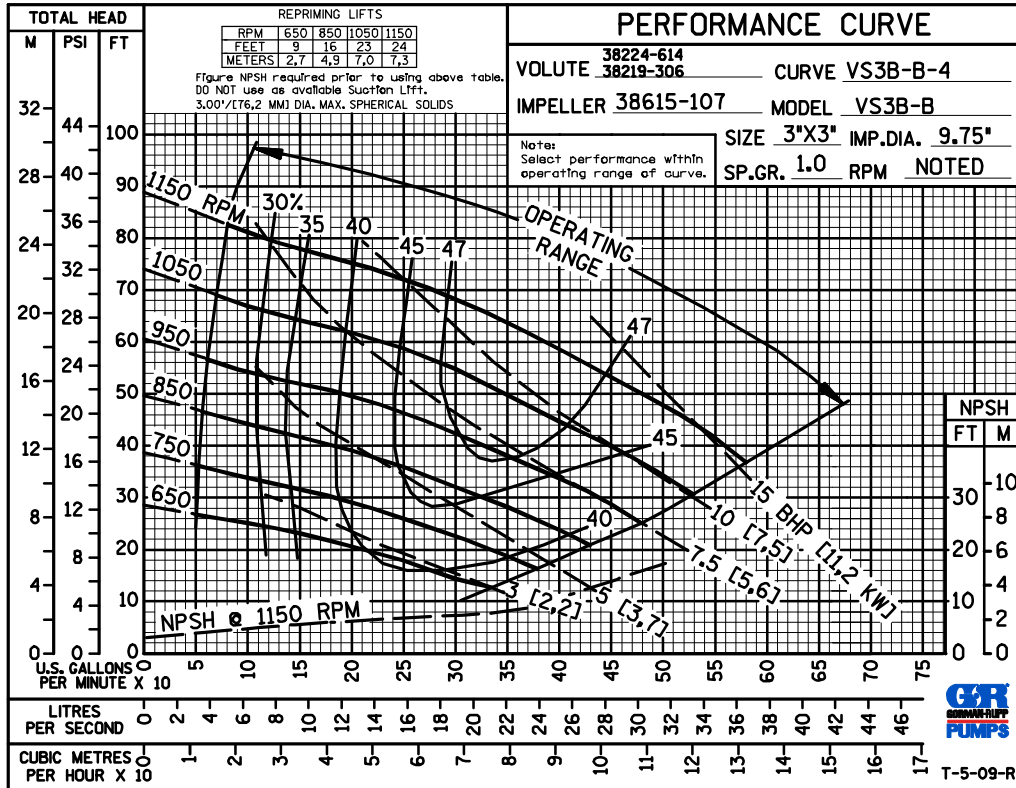


GORMAN-RUPP PUMPS

www.grpumps.com

Specifications Subject to Change Without Notice

Printed in U.S.A.



TOTAL  
COMBINED  
H.P. SHOWN

PERFORMANCE  
FOR REDUCED  
SUCTION  
BASED ON  
WATER



T-5-09-R



GORMAN-RUPP PUMPS

www.grpumps.com

Specifications Subject to Change Without Notice

Printed in U.S.A.