

Basic Pedestal



Standard Centrifugal Pump

Model VG5B3-B

Size 6" x 5"

PUMP SPECIFICATIONS

Size: 6" x 5" (152 mm x 127 mm) Flanged.

Casing: Gray Iron 40.

Maximum Operating Pressure 110 psi (758 kPa).*

Enclosed Type, Six Vane Impeller: Gray Iron 40.

Handles 7/8" (7,7 mm) Diameter Spherical Solids.

Impeller Shaft: Steel 1045.

Shaft Sleeve: Stainless Steel 420.

Seal Plate: Gray Iron 40.

Bearing Housing: Gray Iron 40.

Radial Bearing: Open Single Row Ball.

Thrust Bearing: Open Double Row Ball.

Bearing Lubrication: SAE 30 Non-Detergent Oil.

Gaskets: Nitrile Rubber.

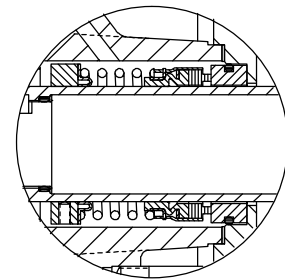
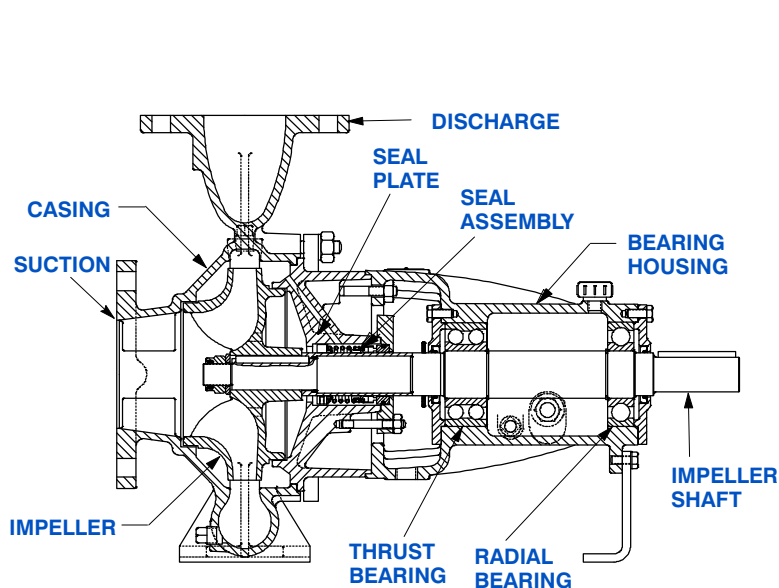
O-Ring: Fluorocarbon (DuPont Viton® or Equivalent).

Hardware: Standard Plated Steel.

Oil Level Sight Gauge.

Optional Equipment: NPT Suction and Discharge Flanges. Strainer. Stainless Steel Impeller. Mechanical Seal with Fluorocarbon Elastomers (DuPont Viton® or Equivalent). Hand Primer. Manual Discharge Check Valve.

**Consult Factory for Applications Exceeding Maximum Pressure and/or Temperature Indicated.*



SEAL DETAIL

Type 1, Mechanical, Self-Lubricated. Carbon Rotating Face. Ceramic Stationary Seat. Buna-N Elastomers. Stainless Steel Cage and Spring. Maximum Temperature of Liquid Pumped, 160°F (71°C).*



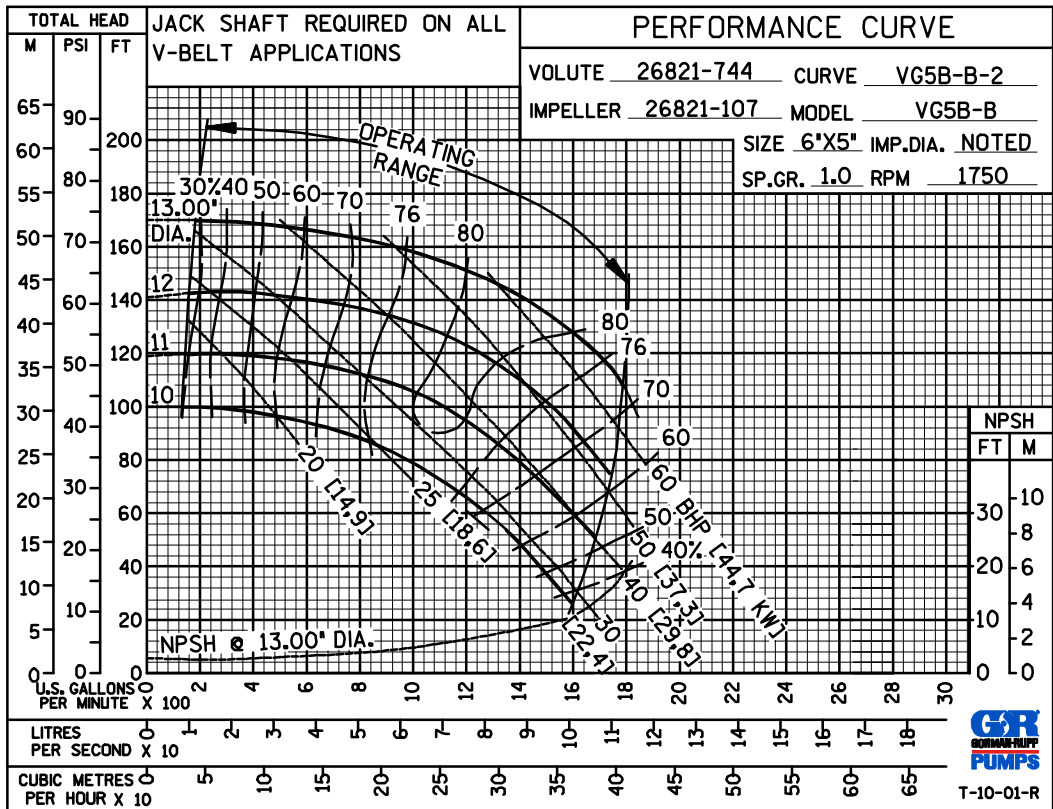
GORMAN-RUPP PUMPS

www.grpumps.com

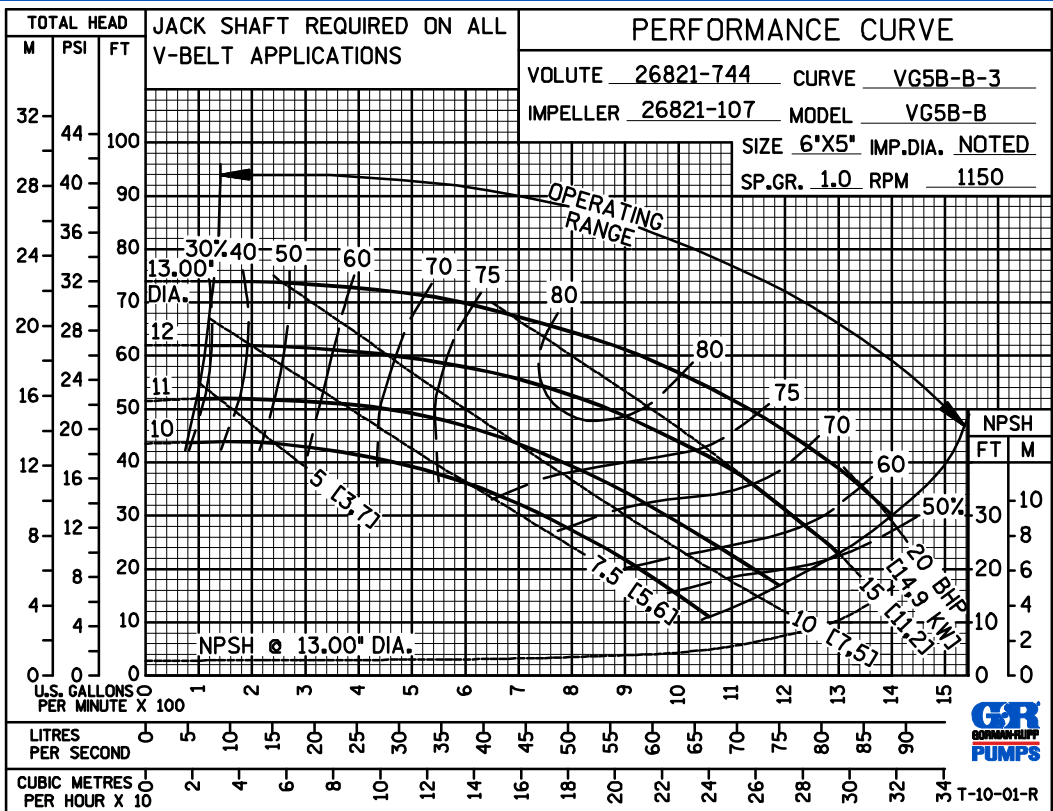
Specifications Subject to Change Without Notice

Printed in U.S.A.

PERFORMANCE
BASED ON
WATER



PERFORMANCE
BASED ON
WATER

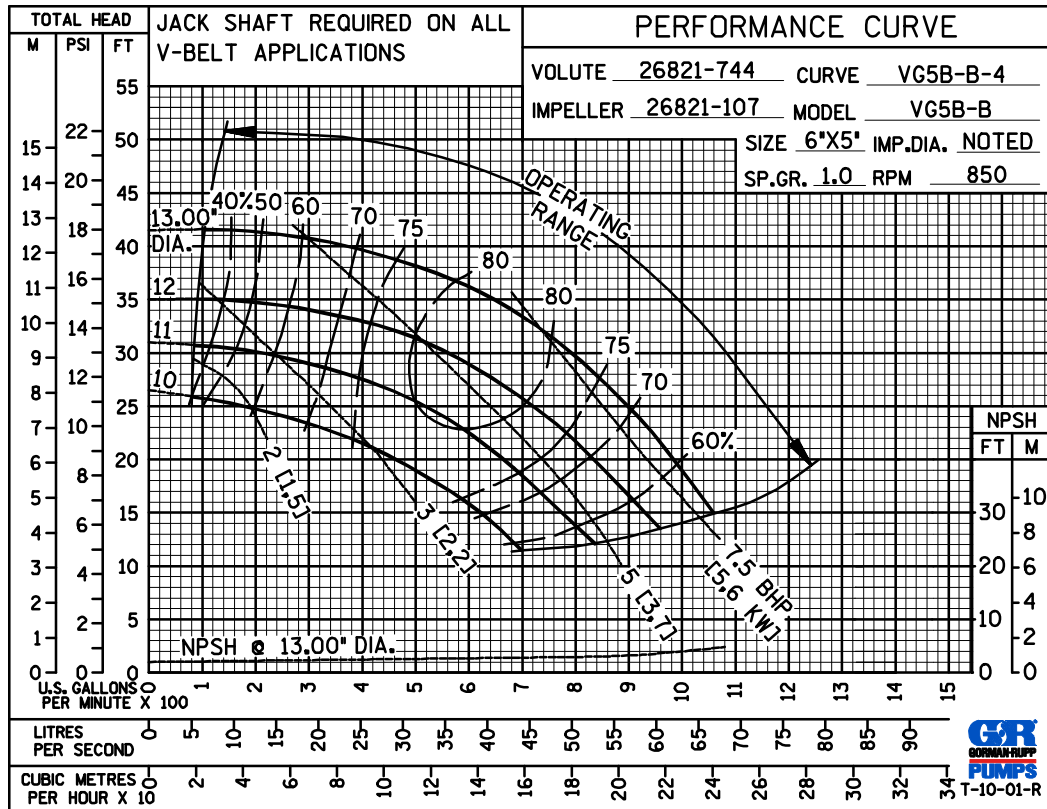


GORMAN-RUPP PUMPS

www.grpumps.com

Specifications Subject to Change Without Notice

Printed in U.S.A.



PERFORMANCE
BASED ON
WATER



GORMAN-RUPP PUMPS

www.grpumps.com

Specifications Subject to Change Without Notice

Printed in U.S.A.