

# Basic Pedestal Standard Centrifugal Pump

## Model VGH8D31-B

### Size 10" x 8"



#### PUMP SPECIFICATIONS

**Size:** 10" x 8" (254 mm x 203 mm) Raised Face Flanges.

**Casing:** Ductile Iron.

Maximum Operating Pressure 173 psi (1255 kPa).\*

**Enclosed Type, Six Vane Impeller:** Gray Iron 40.

1 3/8" (35 mm) Diameter Spherical Solids.

**Impeller Shaft:** Steel 1045.

**Two Replaceable Wear Rings:** Gray Iron 25.

**Seal Plate:** Ductile Iron.

**Bypass Flush Piping.**

**Bearing Housing:** Gray Iron 25.

**Radial Bearing:** Open Cylindrical Roller.

**Thrust Bearing:** Open Double Row Ball.

**Bearing Lubrication:** SAE 30 Non-Detergent Oil.

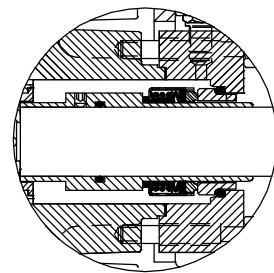
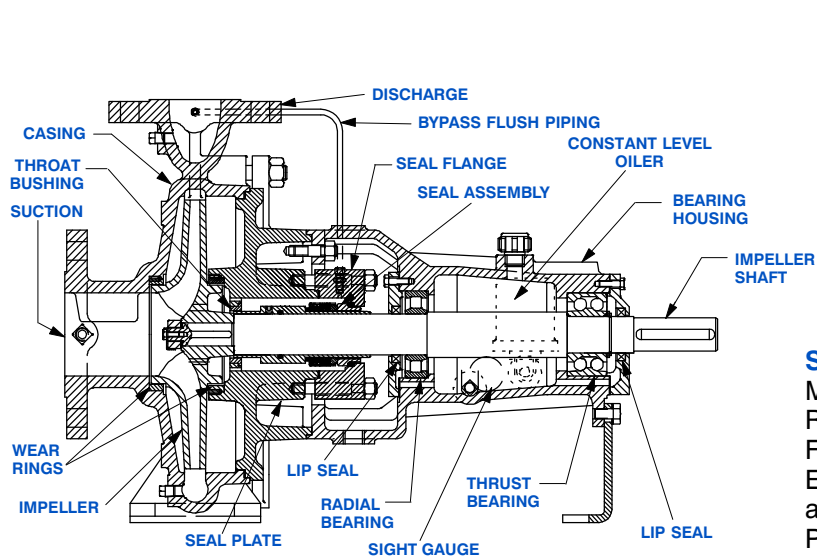
**Gaskets:** Nitrile Rubber.

**Hardware:** Standard Plated Steel.

**Bearing Housing Level Oiler.**

**Optional Equipment:** Strainer. NPT Suction and Discharge Flanges. Discharge Check Valve. Consult Factory for Optional Seals.

*\*Consult Factory for Applications Exceeding Maximum Pressure and/or Temperature Indicated.*



#### SEAL DETAIL

Mechanical, Self-Lubricated. Silicon Carbide Rotating and Stationary Faces. Fluorocarbon Elastomers (DuPont Viton® or Equivalent). Stainless Steel 316 Shaft Sleeve and Spring. Maximum Temperature of Liquid Pumped, 160°F (71°C).\*



## GORMAN-RUPP PUMPS

www.grpumps.com

Specifications Subject to Change Without Notice

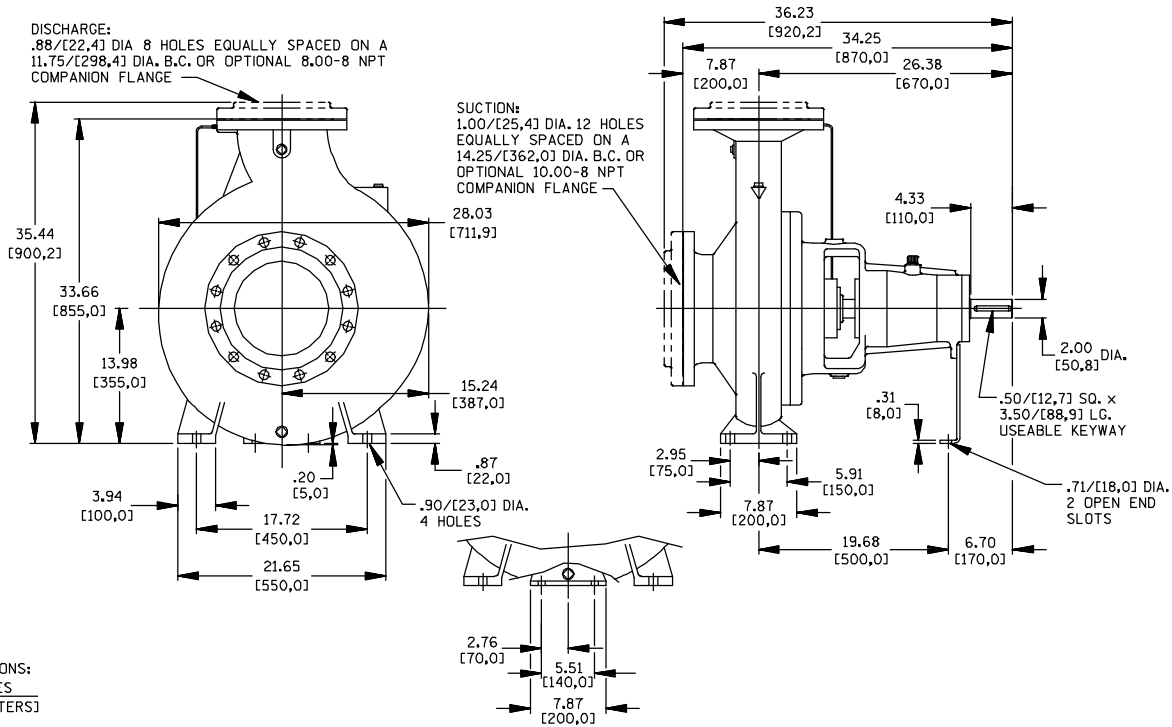
Printed in U.S.A.

**Specification Data**

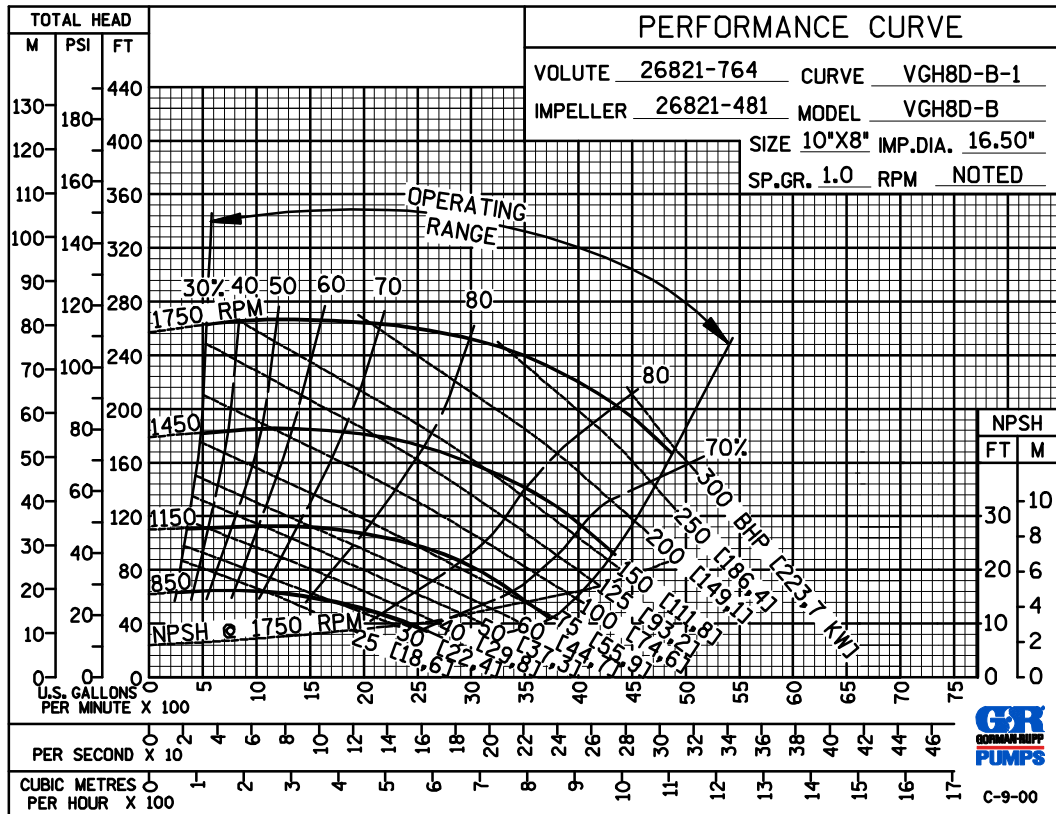
**SECTION 70, PAGE 1551**

APPROXIMATE  
DIMENSIONS and WEIGHTS

**NET WEIGHT: 821 LBS. (320 KG.)**  
**SHIPPING WEIGHT: 853 LBS. (342 KG.)**  
**EXPORT CRATE: 27.1 CU. FT. (0,77 CU. M.)**



PERFORMANCE  
BASED ON  
WATER



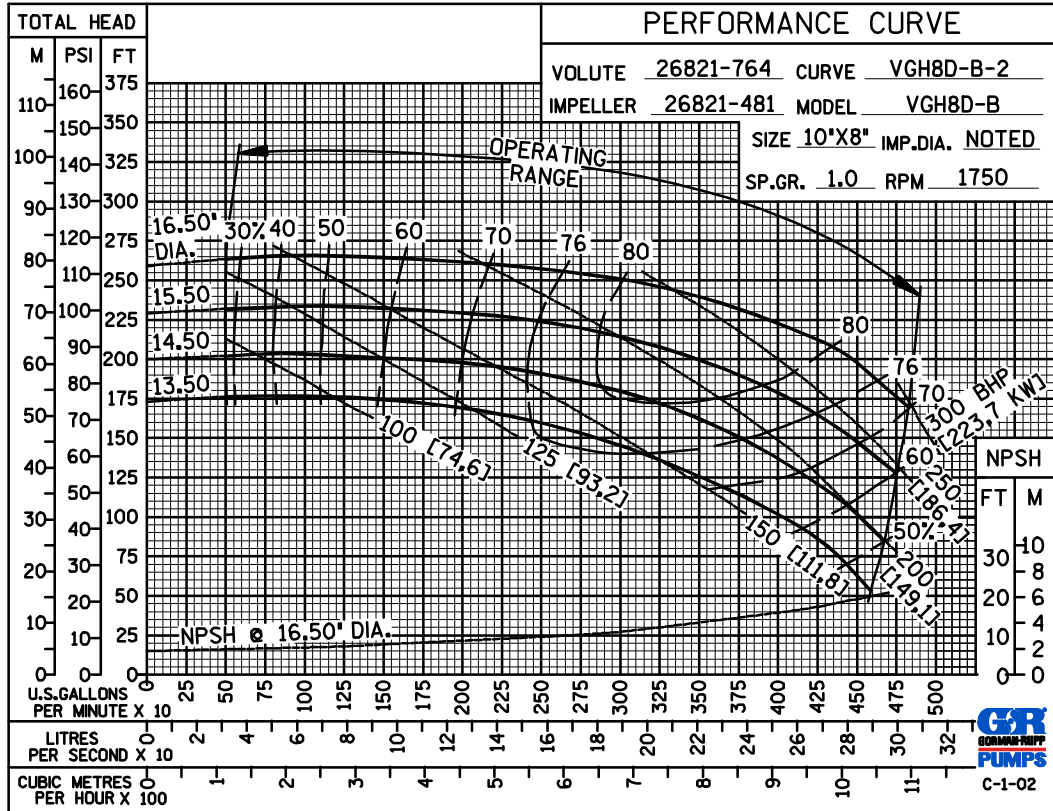
**GORMAN-RUPP PUMPS**

www.grpumps.com

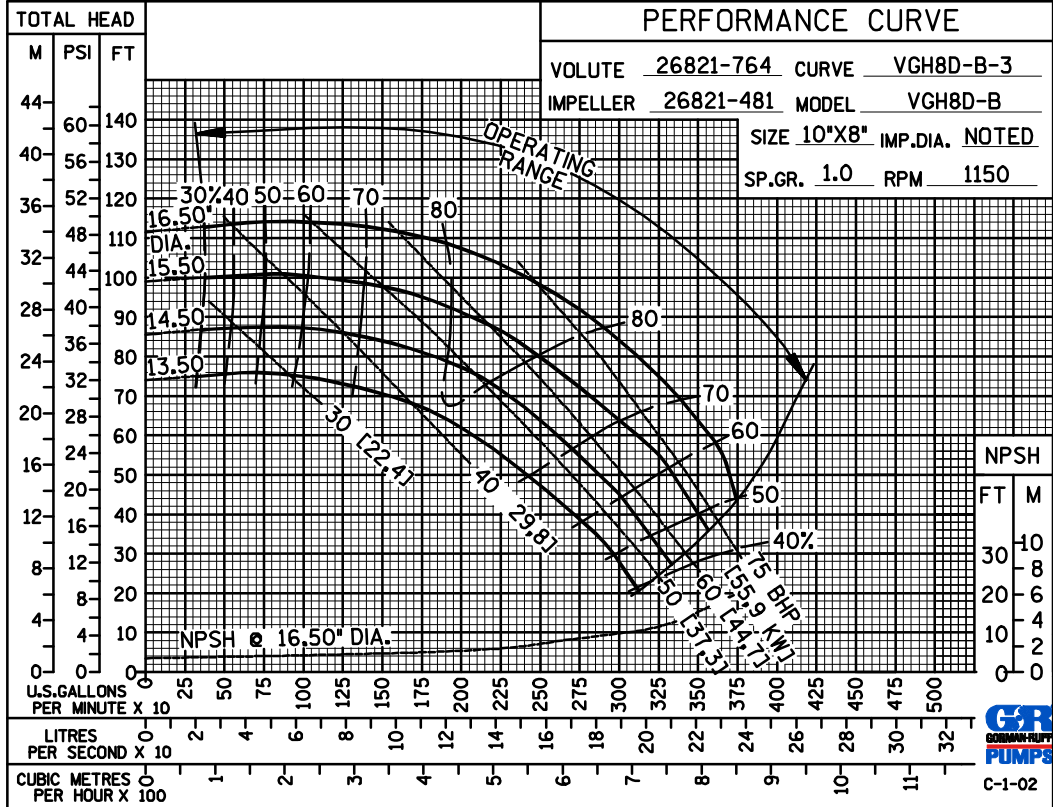
Specifications Subject to Change Without Notice

Printed in U.S.A.

PERFORMANCE  
BASED ON  
WATER



PERFORMANCE  
BASED ON  
WATER



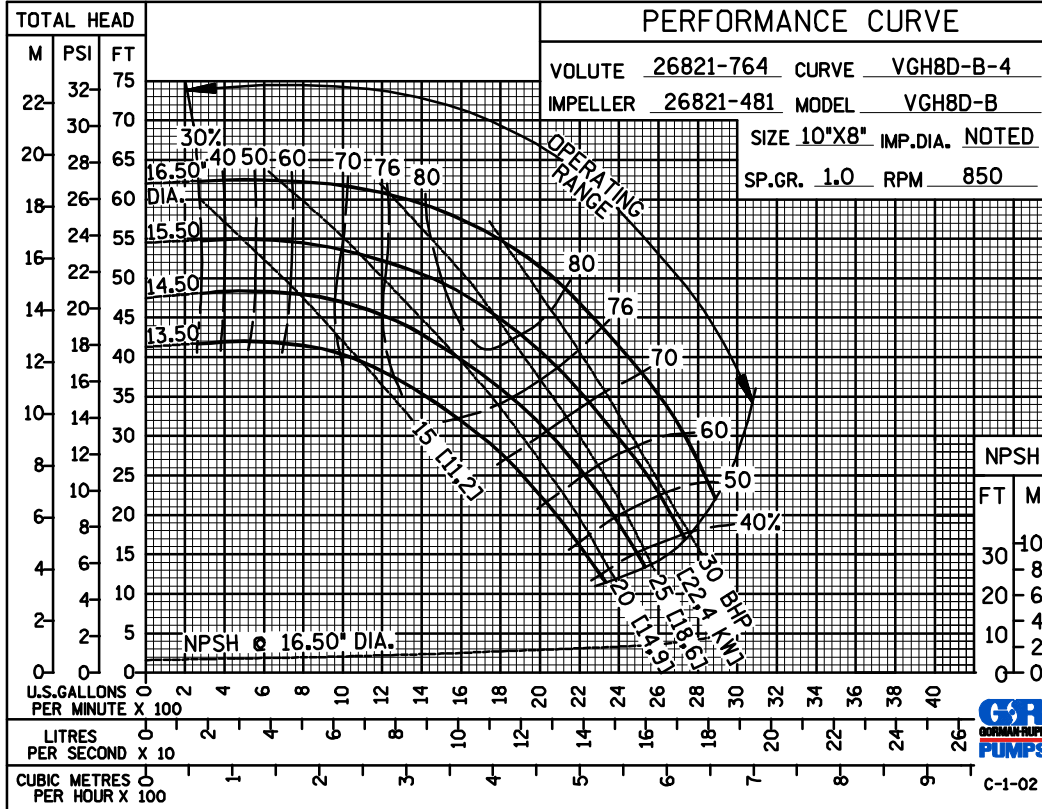
GORMAN-RUPP PUMPS

www.grpumps.com

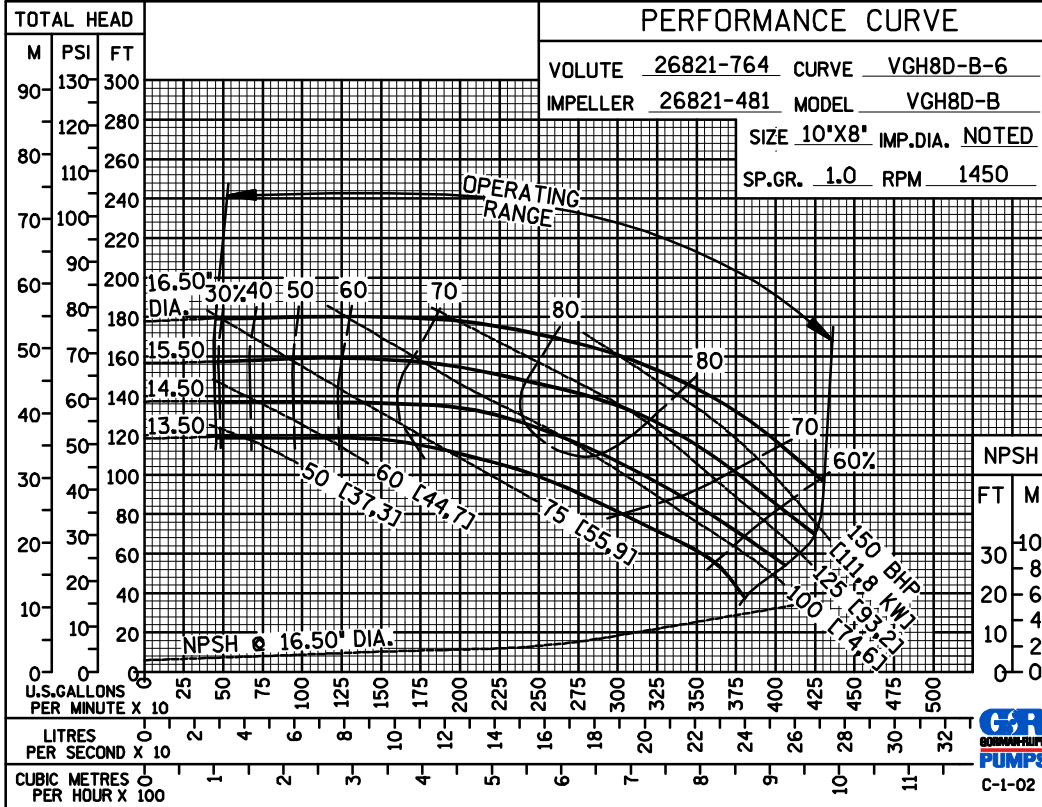
Specifications Subject to Change Without Notice

Printed in U.S.A.

PERFORMANCE  
BASED ON  
WATER



50 HERTZ  
PERFORMANCE  
BASED ON  
WATER



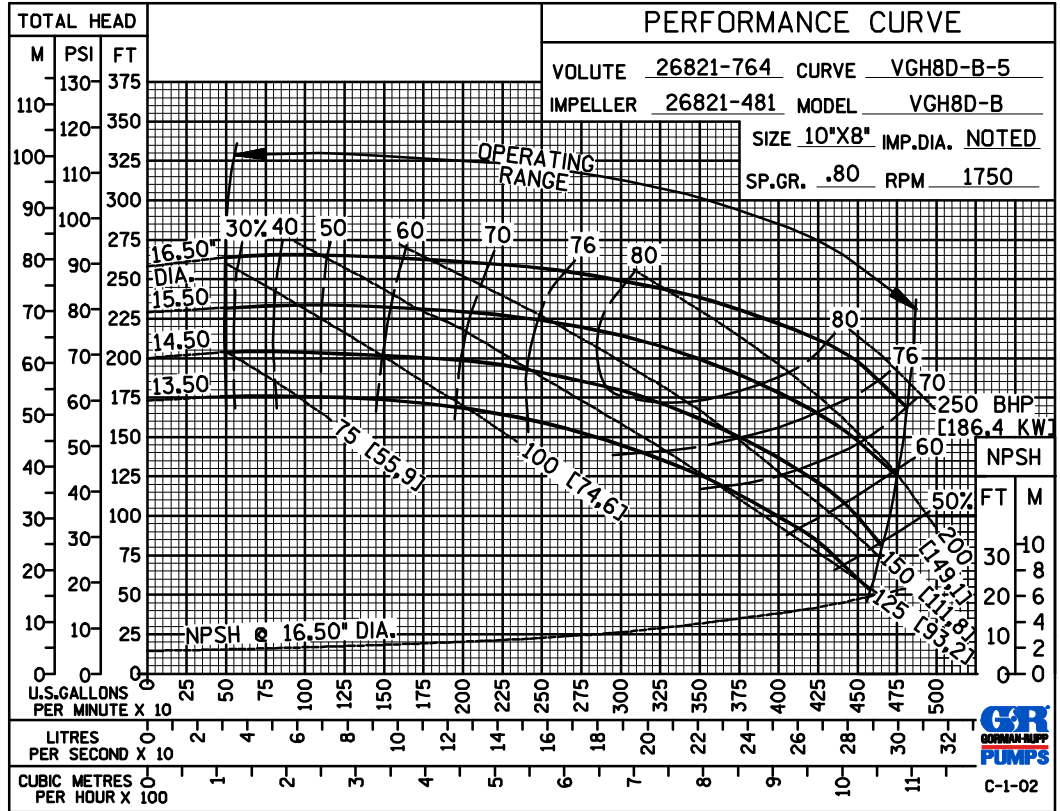
GORMAN-RUPP PUMPS

www.grpumps.com

Specifications Subject to Change Without Notice

Printed in U.S.A.

PERFORMANCE  
BASED ON  
PETROLEUM



GORMAN-RUPP PUMPS

www.grpumps.com

Specifications Subject to Change Without Notice

Printed in U.S.A.