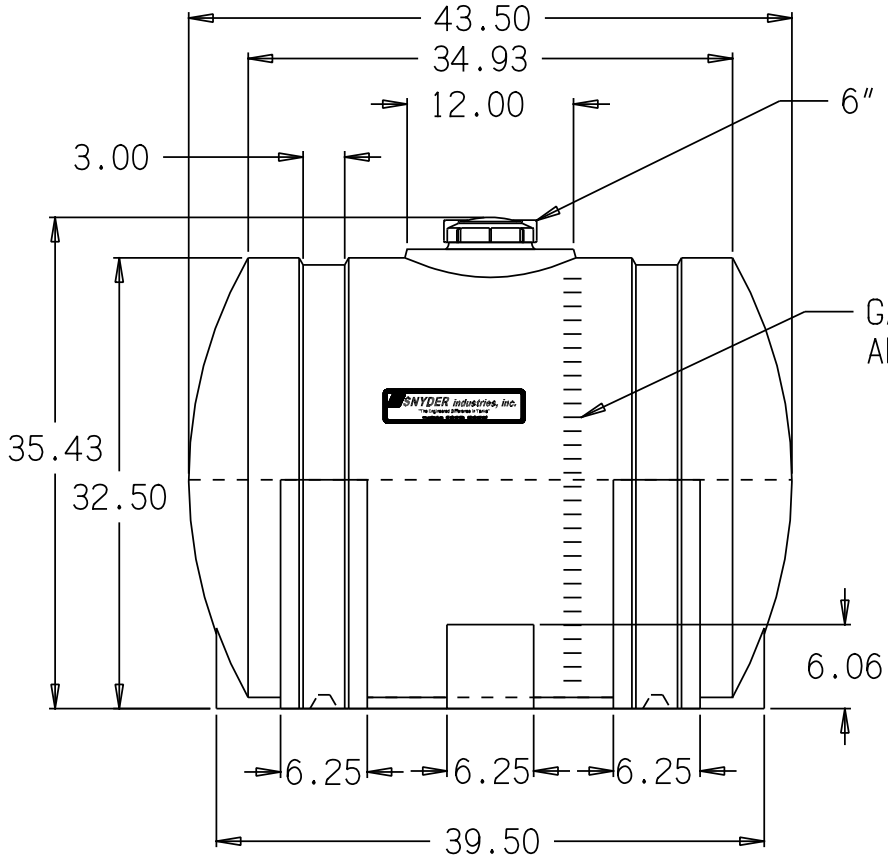


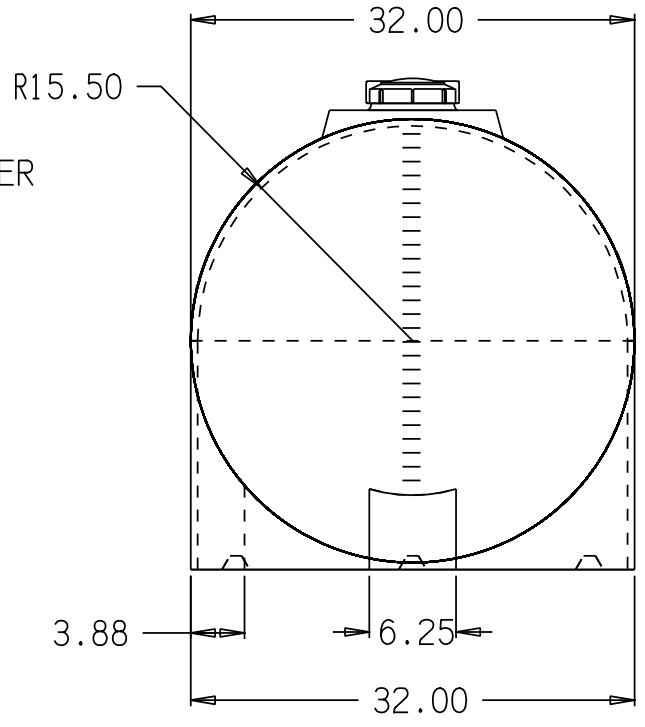
APPROX. BRIMFUL CAPACITY:
TANK: 135.6 GAL.

SNYDER INDUSTRIES INC.



6" PE THREADED CAP

GALLONAGE MARKER
ALL 4 SIDES



* BASE FITTINGS TO BE LEFT INSTALLED AT TIME OF SHIPMENT PER SII PROCEDURE
* Consult Snyder's Guidelines for Use and Installation prior to delivery.
Available on-line at www.snydernet.com

(all dimensions in inches)

PART # TANK: 1003600N-- (M)

125 GALLON HORIZONTAL LEG TANK

REF#: 00000

09/01/10