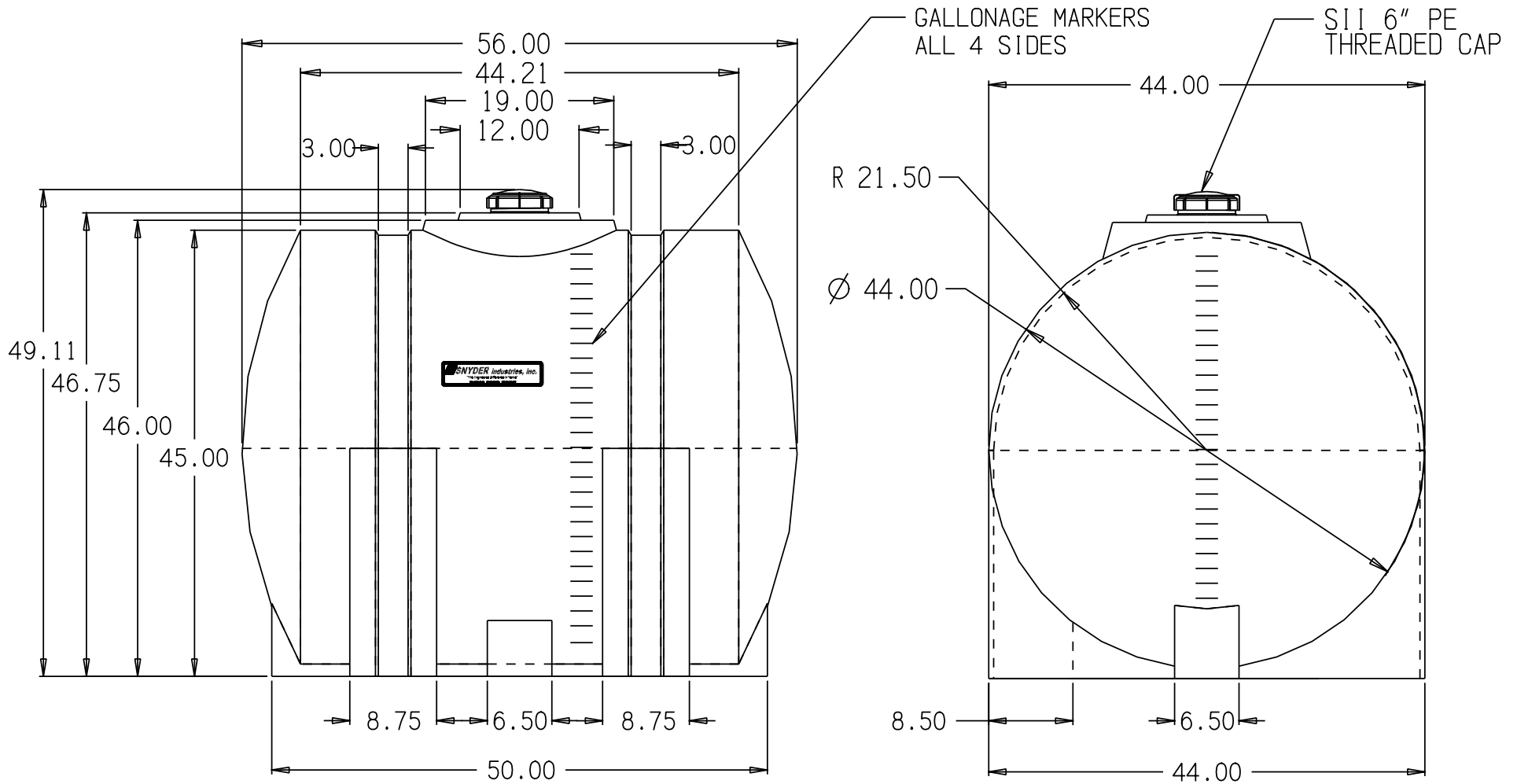


APPROX. BRIMFUL CAPACITY:  
TANK: 339.9 GAL.

SNYDER INDUSTRIES INC.



\* BASE FITTINGS TO BE LEFT INSTALLED AT TIME OF SHIPMENT PER SII PROCEDURE  
\* Consult Snyder's Guidelines for Use and Installation prior to delivery.  
Available on-line at [www.snydernet.com](http://www.snydernet.com)

(all dimensions in inches)  
PART # TANK: 1004100N-- (M)

335 GALLON HORIZONTAL LEG TANK

REF#: 00000 09/01/10