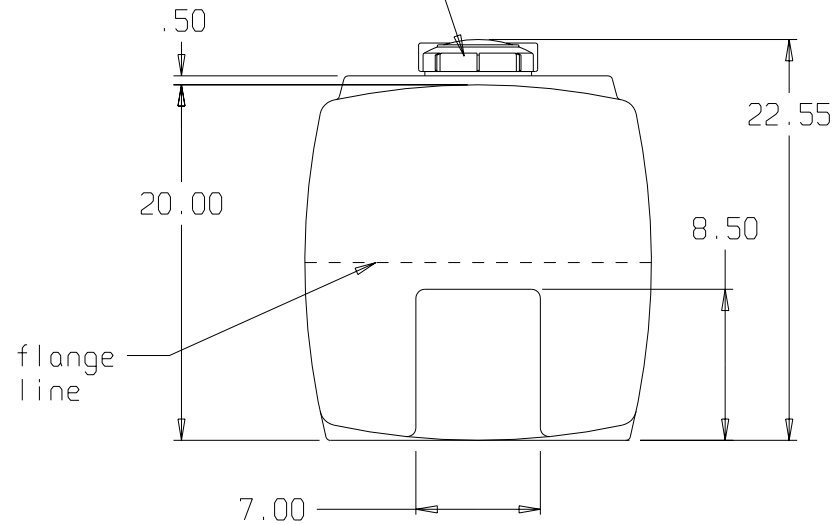


6" PE Threaded-Vented
fill cap w/ 4-1/2" access



(all dimensions in inches)

BASE FITTINGS TO BE LEFT INSTALLED AT TIME OF SHIPMENT PER SII PROCEDURE

PART # TANK: 117--

50 GALLON RECTANGULAR (PCO) TANK

REF#: 0000

11/20/02