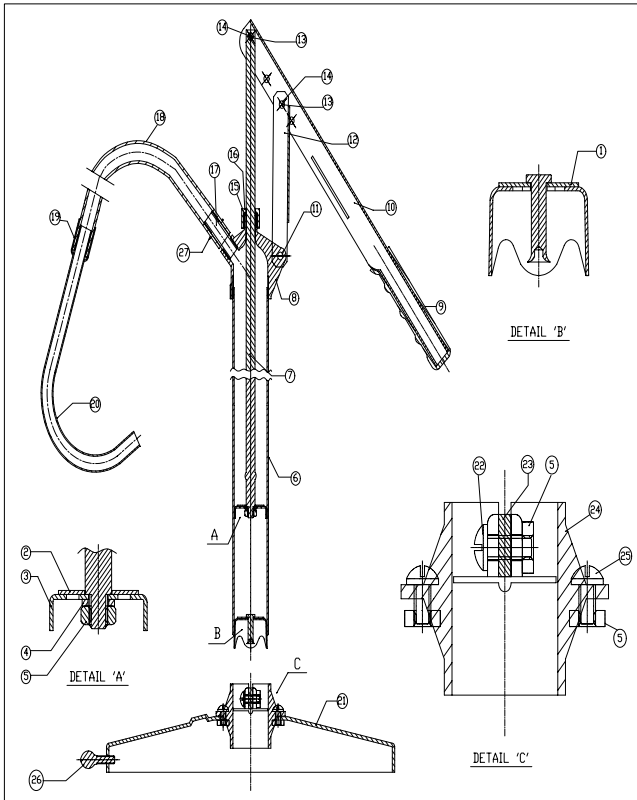


# MODEL 321 GEAR OIL PUMP

(FOR 25-50 lb. Pail)



Sr. Nr.	Part Name	Qty.
1	Non Return	1
2	Steel Washer	1
3	Steel Piston	1
4	Steel Washer	1
5	Hex Nut	6
6	Pump Body	1
7	Piston Rod	1
8	Pump Head	1
9	Rubber Grip	1
10	Lever Handle	1
11	Rivet	1
12	Connecting Link	1
13	Rivet	2
14	Cotter Pin	2
15	O Ring	1
16	Adjusting Nut	1
17	Hose Outlet	1
18	48" Vinyl Hose	1
19	Steel Cap	1
20	Bend Pipe	1
21	Drum Cover	1
22	Screw Driver Bolt	1
23	Rubber Washer	1
24	Adjusting Flange	1
25	Screw Driver Bolt	4
26	Thumb Bolt	3
27	Hose Clip	1

## ASSEMBLY INSTRUCTIONS:

- 1) Place the Drum Cover (21) on container. Put the three Thumb Bolts (26) on outer edge of drum cover and tighten
- 2) Insert Pump Assembly (6) in cover opening, pushing downward and turning until pump tube touches bottom of container
- 3) Position the Pump tube and then tighten the Screw Driver Bolt (22) to hold pump in place
- 4) Place rivet (13) through hole in lever handle (10) and piston rod (7). Insert Cotter Pin (14) through the hole in the rivet
- 5) IMPORTANT- IF PUMP NEEDS PRIMING: Before attaching hose, put small amount of oil in hose outlet of pump (17)
- 6) Slide over the Hose Assembly (20) onto the Hose Outlet (17) , and secure it firmly using Hose Clip (27)
- 7) Depending upon the viscosity of liquid being pumped, the link connecting the pump head to the lever handle, may be adjusted for enhanced convenience in operation. The Connecting Link (12) is connected to the Lever Handle (10) through rivet (13) & cotter pin (14), and can be positioned in any of the 3 holes in the lever handle. Chose the middle hole with liquids of medium viscosity, the lower hole towards the rubber handle for pumping highly viscous liquids and the top hole for low viscosity media

**NATIONAL-SPENCER, INC.**  
P.O. Box 57, Wichita Kansas 67201

Phone 800-231-1525

Fax 800-637-9511