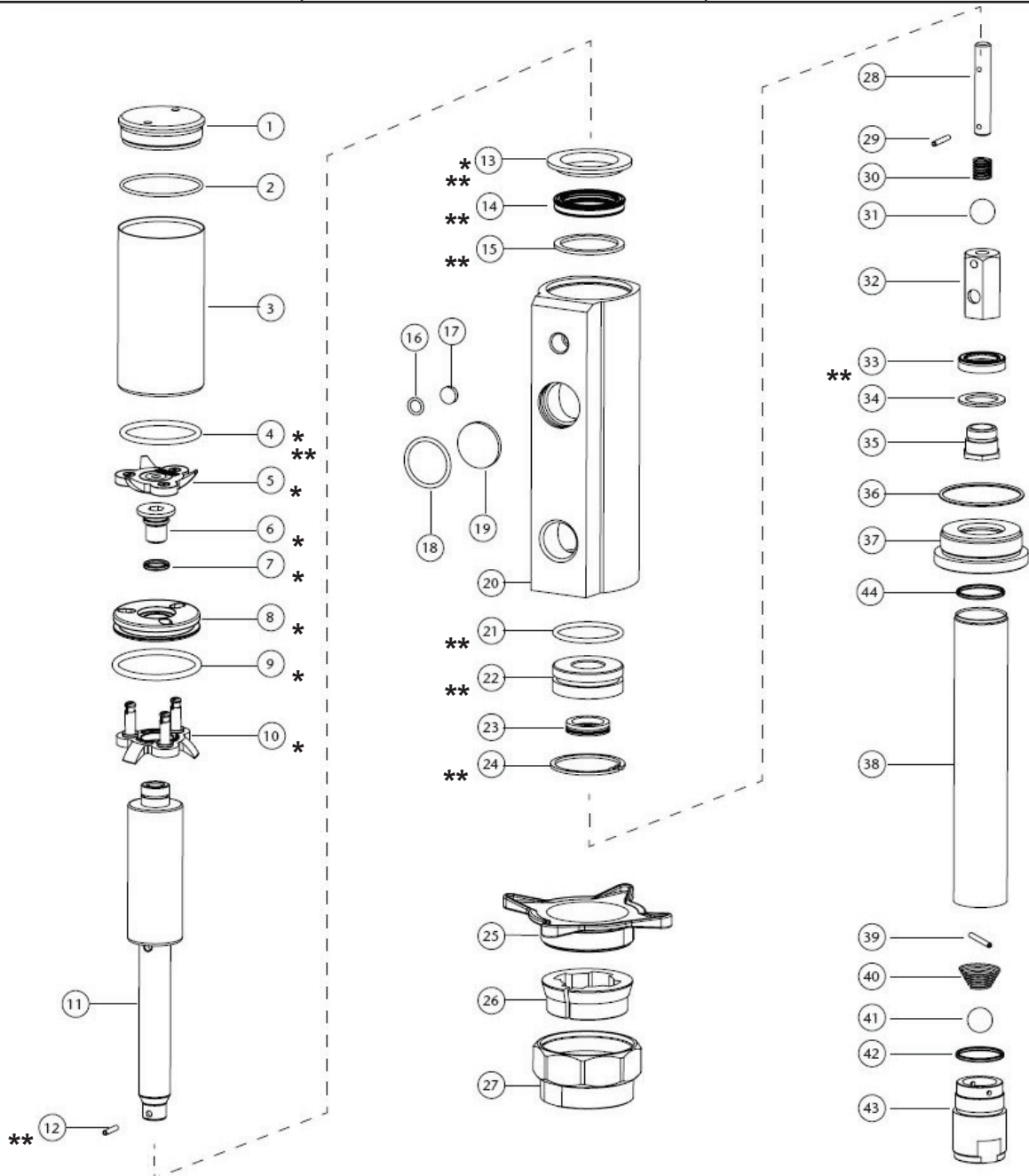


# Parts List

## Gen 2 - Lynx 3:1 Pump (made in EU<sup>(1)</sup>)

Description	Item Number(s)	Repair Kits
Packing kit	4, 12, 13, 14, 15, 21, 22, 23, 24, 33	** Packing Kit - 833111
Air-valve	4, 5, 6, 7, 8, 9, 10, 13	* Air Valve Kit - 833110
Central bar	11, 12, 13, 14, 15, 21, 22, 23, 24	NOTE: The kits listed above are the only parts available for this pump.
Air cylinder	1, 2, 3, 13	
Piston kit	30, 31, 32, 33, 34, 35	
Foot valve	39, 40, 41, 42, 43	
Pump tube	36, 37, 38, 44	
Piston rod	12, 28, 29, 30, 31, 32, 33, 34, 35	
Air filter kit	16, 17, 18, 19	
Bung adapter	25, 26, 27	4411-022



\* Included in 833110 repair kit  
 \*\* Included in 833111 repair kit