

84000 Series Self-Priming Centrifugal Pumps

The A.Y. McDonald 84000 Series Centrifugal Pumps is designed for both high pressure and high capacity to cover a wide range of applications. These portable units are ideal for lawn and turf sprinkling, garden irrigation, pool filling, and can be used as standby pumps for fire protection as well as other commercial uses. Individually balanced heavy-duty cast iron impellers handle silt and muddied water with a minimum of effort.

84000 Series pumps are suitable for installation where the vertical distance from the pump to the water level does not exceed 25 feet. In all installations, friction losses in the suction pipe must be taken into consideration.

This series is available in three and five horse power (HP).

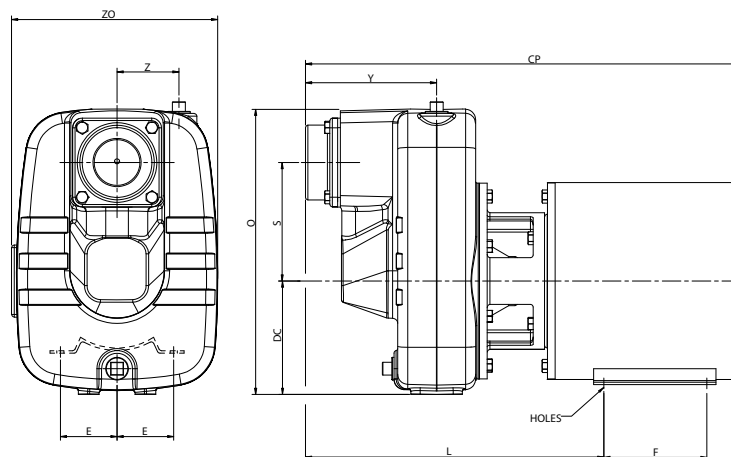
The single phase motors are 230 volt only.

Three phase motors are also available for three and five horse power (HP) and require thermal overloads to be installed separately.

Complete unit includes pump, motor, and suction check valve for positive priming.

Features:

- Residential and industrial uses
- Capacities to 170 GPM
- Heads to 171 ft. or pressure to 74 PSI
- Self-adjusting mechanical seal
- Needs no lubrication
- No foot valves or priming devices needed
- All units have built-in check valve
- Minimal operation costs

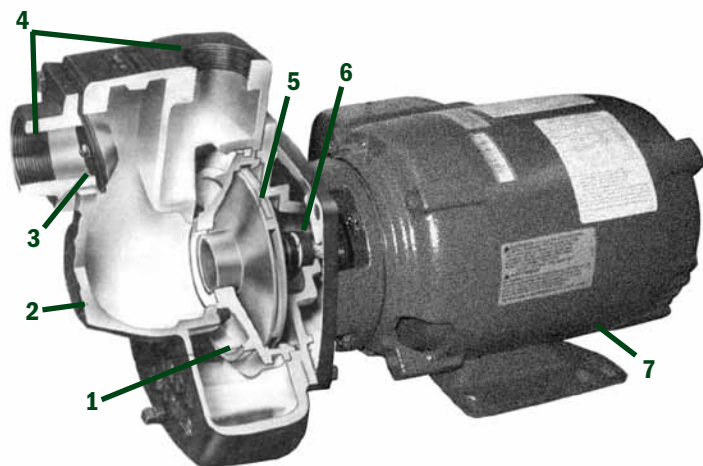


Dimensions

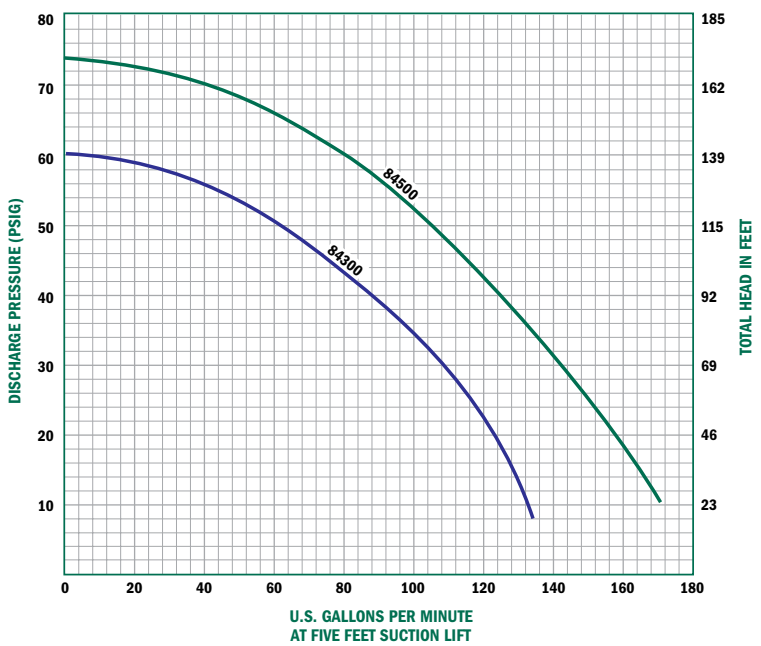
Model	Suction	Discharge	Inches											
			CP	D	DC	E	F	H	L	O	S	Y	Z	Z0
84300	2 NPT	2 NPT	23.25	4.50	5.00	3.75	5.00	.44	14.75	13.25	6.00	6.38	3.00	9.75
84500	2 1/2 NPT	2 NPT	23.38	4.50	5.56	3.75	2.75	.40	15.12	13.88	5.75	6.38	3.00	9.75

*84300 & 84500 Model have a "JM" face motor connection (not shown).

84000 Series Self-Priming Centrifugal Pumps



- 1 - Diffuser
Cast Iron
- 2 - Casing
Cast Iron
- 3 - Built-in Check Valve
- 4 - Discharge & Suction
- 5 - Impeller
- 6 - Seal
- 7 - Motors
J M Frame design on 3 & 5 HP



Performance

Model	HP	Suction Lift - FT.	Capacities in GPM at Discharge Pressure					Max. Shut off pressure
			10	20	30	40	50	
84300	3	10	120	117	102	80	48	59 PSIG
		20	88	86	82	68	26	
84500	5	10	145	138	126	115	97	74 PSIG
		20	105	104	100	95	77	

Specifications

Model	HP	Volts	Phase	Impeller Material	Suction Pipe Size	Discharge Size	Ship WT
84300	3	208/230	1	Cast Iron	2"	2"	136
84500	5	208/230	1	Cast Iron	2 1/2"	2"	146

115 Low voltage - motor label has instructions.