

## 92000 & 93000 Series - Workhorse End Suction Centrifugal Pumps

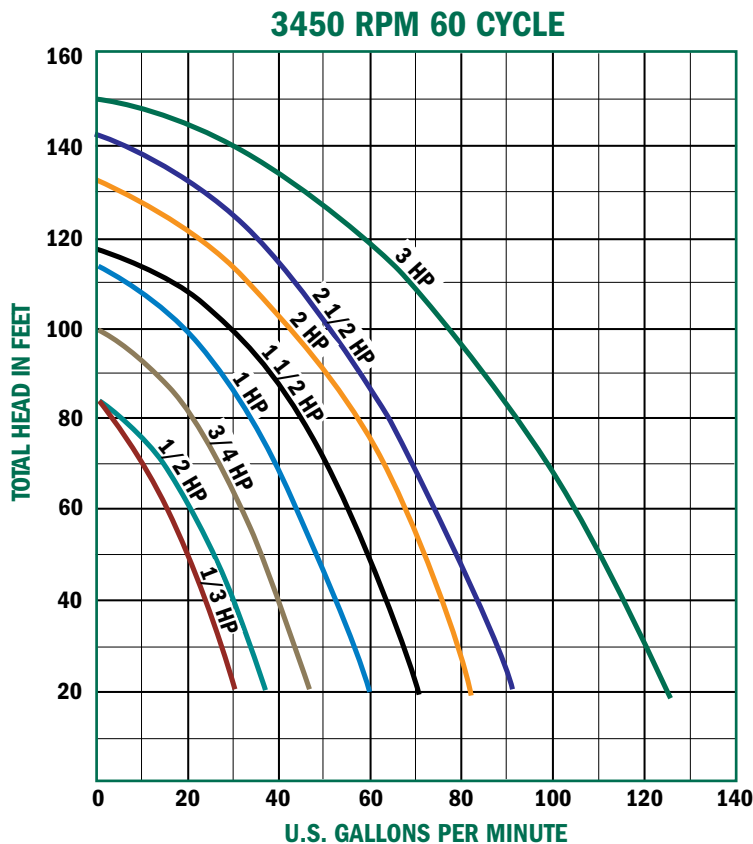
A.Y. McDonald Mfg. Co. 92000 & 93000 Series Centrifugal Pumps cover a wide range of applications. Ideal for booster systems, farms, industry, lawn sprinkling, irrigation, air conditioning tower cooling, and other water transfer applications.

### Features:

- Heavy duty cast iron construction
- Quality Nema standard square flange motor
- Precision molded Noryl impeller (no-lead bronze available)
- Four position discharge with three drain ports
- Easy serviceability with rear pull out design, no need to disturb plumbing

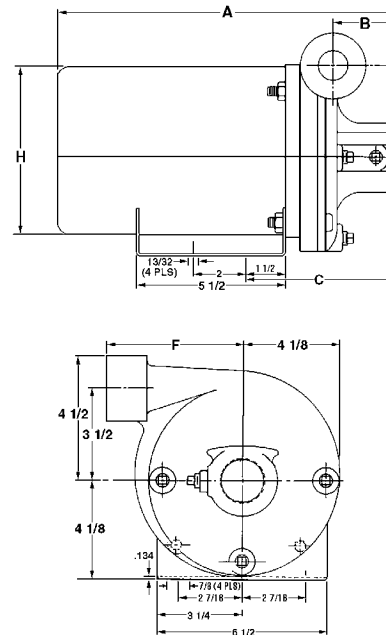


### Performance Curve



\*Performance based on flooded suction conditions

### Dimensions



**NOTE:** Four position discharge - vertical or horizontal.  
Air volume control tapping - optional on suction side of pump.

## 92000 & 93000 Series - Workhorse End Suction Centrifugal Pumps

### Performance (GPM)

Model	HP	Total Head in FT.												Max Head FT / PSIG
		30	40	50	60	70	80	90	100	110	120	130	140	
92030 93030	1/3	28	23	20	16	10								84'/36 #
92050 93050	1/2	33	30	26	21	14								83'/36 #
92070 93070	3/4	42	40	36	31	28	21	11						100'/43 #
92100 93100	1	57	52	49	42	39	32	28	19					113'/48 #
92150 93150	1 1/2	68	62	60	55	50	43	38	30	18				118'/51 #
92200 93200	2	79	76	73	69	63	58	50	41	32	22			132'/57 #
92250	2 1/2		84	79	75	70	65	59	52	45	35	24		142'/61 #
92300 93300	3		115	110	103	98	91	85	78	69	59	46	30	150'/65 #
<b>Model</b>	<b>HP</b>	<b>13</b>	<b>17</b>	<b>21</b>	<b>26</b>	<b>30</b>	<b>34</b>	<b>39</b>	<b>43</b>	<b>47</b>	<b>52</b>	<b>56</b>	<b>60</b>	
<b>PSIG</b>														

### Specifications

Model No.	HP	Voltage & Phase	Ports		Pump Dimensions - Inches					Packing Dimen. Inches	Weight LBS
			SUCT.	DISCH.	A	B	C	F	H		
92030	1/3	115/230/1	1 1/4"	1"	15.40	2.35	6.10	4.35	5.60	15.5 x 8.5 x 10	31
92050	1/2	115/230/1	1 1/4"	1"	15.40	2.35	6.10	4.35	5.60	15.5 x 8.5 x 10	33
92070	3/4	230/115/1	1 1/4"	1"	15.90	2.35	6.10	4.35	5.60	16.5 x 9.5 x 10	34
92100	1	230/115/1	1 1/4"	1"	16.40	2.35	6.10	4.35	5.60	16.5 x 9.5 x 10	38
92150	1 1/2	230/115/1	1 1/4"	1"	16.60	2.35	6.10	4.35	5.60	16.5 x 9.5 x 10	41
92200	2	230/1	1 1/2"	1 1/4"	18.15	2.90	6.75	4.70	6.30	18.25 x 9.5 x 10	43
92250	2 1/2	230/1	2"	1 1/2"	18.15	2.90	6.75	4.70	6.30	18.25 x 9.5 x 10	45
92300	3	230/1	2"	1 1/2"	18.15	2.90	6.75	4.70	6.30	18.25 x 9.5 x 10	55

- All models are available in three phase - specify voltage and replace first "2" in model number with "3".  
**Example: 92050** (single phase) vs. **93050** (three phase).

- Plastic impeller is standard. For no-lead bronze impeller, substitute "1" for last "0" in model number.  
 (No-Lead bronze impeller available only through 1/3 and 1/2 HP), **Example: 92050** (plastic) vs. **92051** (no-lead bronze).