

# SUBMITTAL DATA SHEET

Sump, Sewage, & Effluent Pumps  
DuraMAC™ | Guardian

## 5030CVSPCSK Sump Pump

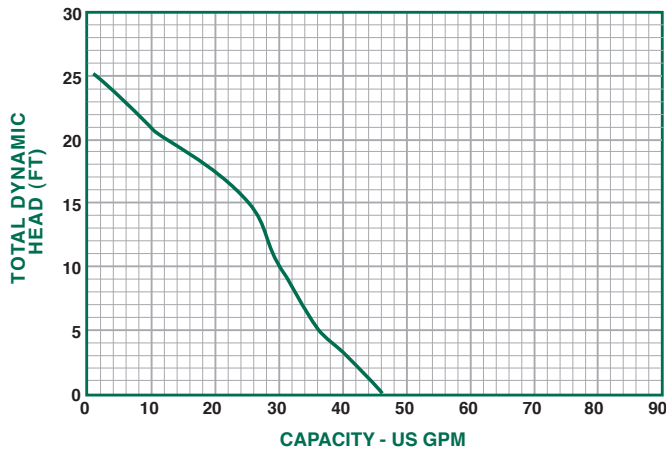


See Pumps & Accessories  
Price List for Limited  
Warranty details.



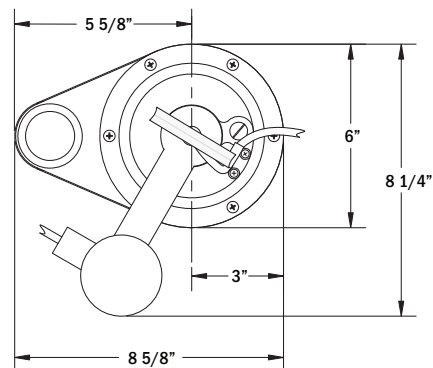
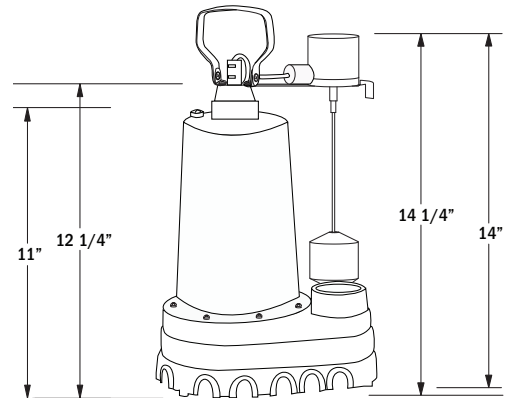
With pre-drilled holes in the basin, this sump pump kit can be used for pumping water out of crawl spaces. The kit comes with everything pictured here.

### Sump Pump Performance Curve



#### PERFORMANCE CHART

Model	Gallons per Minute in Feet					
	0	5	10	15	20	25
5030CVSP	46	36	30	25	12	1



#### SUBMERSIBLE CAST IRON SUMP PUMP - 1 1/2" DISCHARGE

Model	HP	Volts	Hz	Amps	Construction	Discharge Size	Cord Length	Solids Handling	RPM	Phase
5030CVSP	3/10	120	60	4.1	Cast Iron	1 1/2"	10'	3/8"	3450	1

#### SUBMITTAL INFORMATION

- 5030CVSP 3/10 HP cast iron sump pump with vertical float switch
- 18.25" x 17.25" Poly basin with slotted cover
- 24' hose - 1 1/4"
- 1.5" x 1.25" Hose adaptor with stainless steel clamp

NO-LEAD: The weighted average of the wetted surface of this no-lead product contacted by consumable water contains less than one quarter of one percent (0.25%) lead.



A.Y. McDonald Mfg. Co.  
P.O. Box 508  
Dubuque, IA 52004-0508

Toll Free: 1-800-292-2737  
Fax: 1-800-832-9296  
Hours: 7:00 a.m. - 5:00 p.m., CST

sales@aymcdonald.com  
www.aymcdonald.com

A.Y. McDonald considers the information on this assembly drawing correct when published. Item and option availability, including specifications, are subject to change without notice.

Submitted by: