

SUBMITTAL DATA SHEET

Sump, Sewage, & Effluent Pumps
DuraMAC™ | Guardian

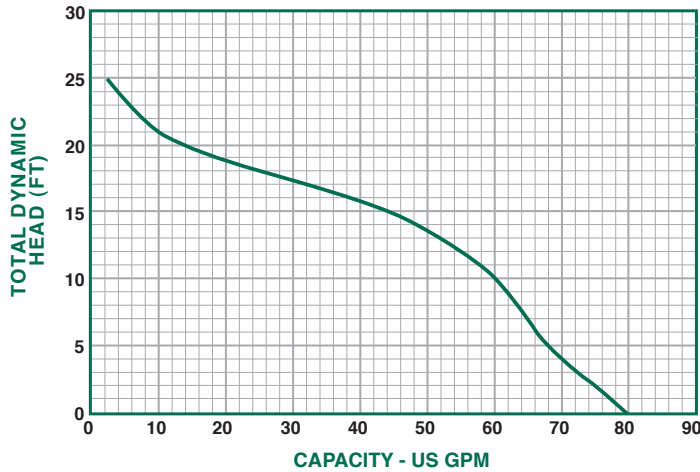
5050CTSJPACSDA Sewage Pump



See Pumps & Accessories
Price List for Limited
Warranty details.

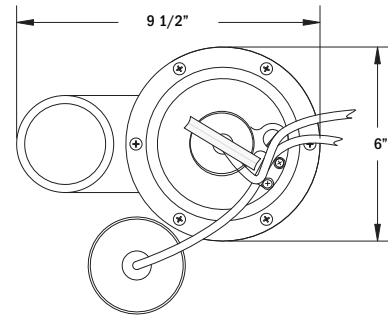
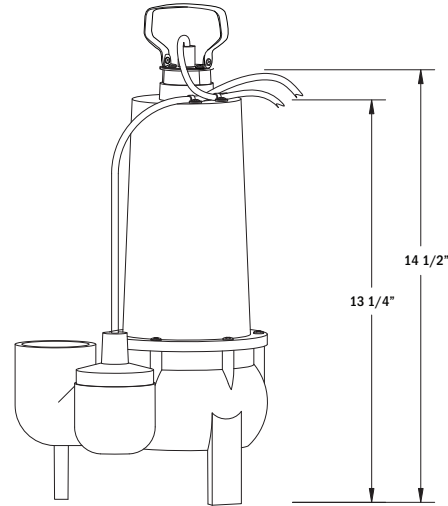
This pre-assembled simplex sewage package with side discharge and alarm is designed to be used in any residential sewage application. With a 30 gallon capacity & 2" solids handling, this package is ready to be installed by connecting the 2" discharge pipe to the sewage pump.

Sewage Pump Performance Curve



PERFORMANCE CHART

| Model | Gallons per Minute in Feet | | | | | |
|------------|----------------------------|----|----|----|----|----|
| | 0 | 5 | 10 | 15 | 20 | 25 |
| 5050CTSJ25 | 80 | 68 | 60 | 44 | 13 | 2 |



SUBMERSIBLE CAST IRON SEWAGE PUMP - 2" DISCHARGE

| Model | HP | Volts | Hz | Amps | Construction | Discharge Size | Cord Length | Solids Handling | RPM | Phase |
|------------|-----|-------|----|------|--------------|----------------|-------------|-----------------|------|-------|
| 5050CTSJ25 | 1/2 | 120 | 60 | 7.6 | Cast Iron | 2" | 25' | 2" | 3450 | 1 |

SUBMITTAL INFORMATION

- 5050CTSJ25 1/2 HP sewage pump with tethered switch
- 18" structural foam cover with gasket kit
- 18" x 30" durable structural foam sewage basin with 4" inlet with "Snap-in Hub"
- 2" Full Flow Check Valve with Rubber Boots
- 4" Snap-In-Hub with stainless steel clamp
- Stainless steel fasteners for cover
- 30" Long 2" PVC stub pipe
- Automatic alarm reset, silence switch, and alarm test switch, alarm enclosure rated for outdoor use

NO-LEAD: The weighted average of the wetted surface of this no-lead product contacted by consumable water contains less than one quarter of one percent (0.25%) lead.



A.Y. McDonald Mfg. Co.
P.O. Box 508
Dubuque, IA 52004-0508

Toll Free: 1-800-292-2737
Fax: 1-800-832-9296
Hours: 7:00 a.m. - 5:00 p.m., CST

sales@aymcdonald.com
www.aymcdonald.com

A.Y. McDonald considers the information on this assembly drawing correct when published. Item and option availability, including specifications, are subject to change without notice.

Submitted by: