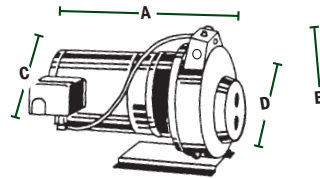
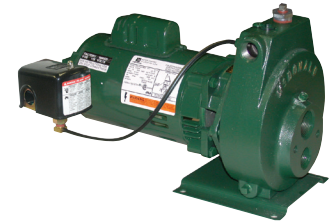


SUBMITTAL DATA SHEET

Jet Pumps
Convertible | Shallow Well

8200 Series - Convertible



Overall Length "A"
Overall Height "B"
Overall Width with Pressure Switch "C"
Overall Width without Pressure Switch "D"

All 8200 Series Convertible Pumps come with a 1 1/4" suction pipe and 3/4" discharge on the side or 1" on top. The sizes range from 1/2 to 1 horse power (HP).

Models Available

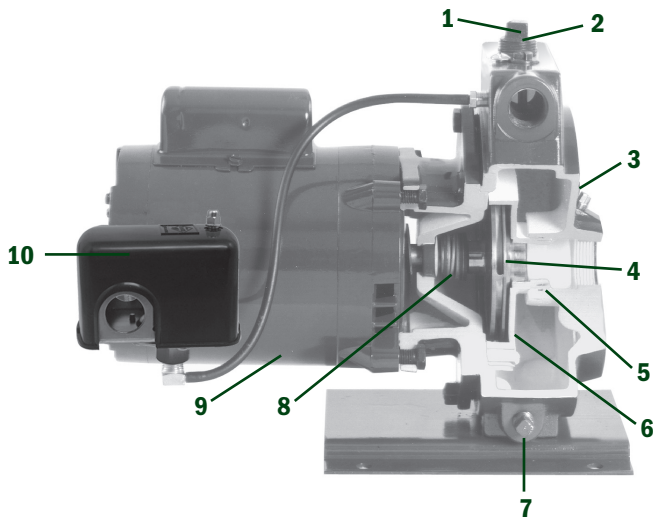
Model No.	HP	Volt	*Max. Amps	Impeller	A	B	C	D	WT
8250	1/2	115/230	11.2	plastic	15.5"	10"	10.5"	8"	42
8251	1/2	115/230	11.2	brass	15.5"	10"	10.5"	8"	44
8270	3/4	230/115	7.4	plastic	15"	10"	10.5"	8"	45

Factory Voltage setting listed first in bold type.
(See pg. 7 for required Jet Ejectors)

Model No.	HP	Volt	*Max. Amps	Impeller	A	B	C	D	WT
8271	3/4	230/115	7.4	brass	15"	10"	10.5"	8"	47
8210	1	230/115	8.8	plastic	15.5"	10"	10.5"	8"	48
8211	1	230/115	8.8	brass	15.5"	10"	10.5"	8"	50

Shallow Well Performance without Jet Ejector

Model No.	HP	Jet Ejector*	Suction Lift - FT.	Capacities in GPM at Discharge Pressure (PSI)					Max. Shut Off Pressure
				10	15	20	25	30	
8250	1/2	Without Jet	10	49.5	47	39.5	25	11	34
8251			20	45	40.5	28	11.5		
8270	3/4	Without Jet	10	60	58	56	51.5	40	38
8271			20	52	52	50	41	19	
8210	1	Without Jet	10	65	63	61	57	50	41.5
8211			20	54	53.5	52	48	41	



- 1 - Zinc Plated Plug
(With Pressure Gauge Tap & 1/4" plug)
- 2 - Internal Regulating Valve
(Manual adjustment for deep well only)
- 3 - Cast Iron Pump Body & Motor Adapter
- 4 - Impeller
Available in either dynamically balanced bronze or engineered thermoplastic
- 5 - Buna-N O-ring (In Body)
- 6 - Diffuser
Multi-volute engineered thermoplastic diffuser for maximum capacity and pressure
- 7 - Drain Plug
- 8 - Shaft Seal
Standard 5/8" ceramic carbon rotating mechanical seal
- 9 - Standard, Capacitor Start, Nema J Motor
Built to NEMA specifications by nationally known manufacturers to assure local service availability. Choice of 1/2, 3/4 and 1 H.P. 50 Hz. or 60 Hz.
- 10- Pressure Switch
Easily adjusted for higher or lower operating pressures

SUBMITTAL INFORMATION

- Pressure switch factory settings:
1/2 HP = 20-40 PSI
3/4 and 1 HP = 30-50 PSI
- Nema J (Threaded Shaft) Motor 7/16" - 20 Threads
- Two pipe tapings 1" x 1 1/4"
- * Maximum Amp. Draw at factory voltage setting.

NO-LEAD: The weighted average of the wetted surface of this no-lead product contacted by consumable water contains less than one quarter of one percent (0.25%) lead.



A.Y. McDonald Mfg. Co.
P.O. Box 508
Dubuque, IA 52004-0508

Toll Free: 1-800-292-2737
Fax: 1-800-832-9296
Hours: 7:00 a.m. - 5:00 p.m., CST

sales@aymcdonald.com
www.aymcdonald.com

A.Y. McDonald considers the information on this assembly drawing correct when published. Item and option availability, including specifications, are subject to change without notice.

Submitted by:

SUBMITTAL DATA SHEET

Jet Pumps
Convertible | Shallow Well

8200 Series - Convertible



All 8200 Series Convertible Pumps come with a 1 1/4" suction pipe and 3/4" discharge on the side or 1" on top. The sizes range from 1/2 to 1 horse power (HP).

8200 Series - Convertible | Shallow Well Performance

Model No.	HP	Jet Ejector*	Suction Lift - FT.	Capacities in GPM at Discharge Pressure (PSI)						Max. Shut Off Pressure
				20	30	40	50	60	70	
8250 8251	1/2	651-JP Hi-Capacity	5	15.6	15.6	8.6	2.3			58
			15	11.7	11.7	6.5	1.2			
			25	6.6	6.6	4.7				
		655-JP Hi-Pressure	5	7.6	7.6	7.1	5.7	2.7		74
			15	5.5	5.5	5.4	4.3	2.0		
			25	3.7	3.7	3.6	2.9			
8270 8271	3/4	652-JP Hi-Capacity	5	18.8	18.8	16.2	8.8			61
			15	14.4	14.4	12.3	3.9			
			25	8.6	8.6	7.3	2.7			
		656-JP Hi-Pressure	5	9.7	9.4	9.4	7.8	4.2		75
			15	7.1	7.0	7.0	5.9	2.9		
			25	4.7	4.6	4.6	3.8	2.1		
8210 8211	1	653-JP Hi-Capacity	5	24.2	24.0	23.0	15.0			64
			15	20.1	18.6	18.4	10.9			
			25	11.6	11.4	11.3	4.7			
		657-JP Hi-Pressure	5	13.3	13.3	13.3	12.7	9.2	3.0	80
			15	10.0	10.0	10.0	9.4	6.5	2.4	
			25	6.2	6.2	6.2	6.0	4.3	1.8	

*Jet Ejectors must be ordered separately

8200 Series - Convertible | Deep Well Performance at 20 PSI | For 20-40 PSI Pressure Switch Setting

Model No.	HP	Well Casing Size	Jet Ejector*	Deep Well Capacities in GPM - At Depth to Water In Feet									
				30	40	50	60	70	80	90	100	110	120
8250 8251	1/2	4"	508-JP	12.7	10.5	8.8							
		4"	509-JP		9.3	8.1	6.3	5.0	4.0				
		2"	735-JP	11.3	9.4	7.9							
		2"	736-JP		8.3	7.3	5.7	4.6					
8270 8271	3/4	4"	901-JP	16.1	13.0	9.6							
		4"	906-JP			9.9	8.4	6.5	5.1				
		4"	907-JP						4.7	3.9	3.3	2.5	
		2"	808-JP	14.3	11.6	8.5							
		2"	812-JP			8.9	7.5	5.8	4.6				
		2"	813-JP						4.2	3.6	2.9	2.2	
8210 8211	1	4"	901-JP	16.8	14.3	11.9							
		4"	902-JP			11.8	9.9	8.1	6.3				
		4"	903-JP						5.5	4.8	4.3	3.5	2.8
		2"	808-JP	15.0	12.9	10.7							
		2"	809-JP			10.4	8.8	7.2	5.6				
		2"	810-JP						4.8	4.2	3.8	3.1	2.6

*Jet Ejectors must be ordered separately

NO-LEAD: The weighted average of the wetted surface of this no-lead product contacted by consumable water contains less than one quarter of one percent (0.25%) lead.



A.Y. McDonald Mfg. Co.
P.O. Box 508
Dubuque, IA 52004-0508

Toll Free: 1-800-292-2737
Fax: 1-800-832-9296
Hours: 7:00 a.m. - 5:00 p.m., CST

sales@aymcdonald.com
www.aymcdonald.com

A.Y. McDonald considers the information on this assembly drawing correct when published. Item and option availability, including specifications, are subject to change without notice.

Submitted by: