



Irrigation & Booster Pumps

Superbooster | Centrifugal



Table of Contents

	Page		Page
Superbooster		Self-Priming Centrifugal Pumps	
General Information.....	2	88000.....	10-11
J Series - 5 GPM.....	3	84000.....	12-13
V Series - 7 GPM.....	3		
K Series - 10 GPM.....	3	1500XSW Series	
L Series - 15 GPM.....	4	Multi-Stage Centrifugal Pump.....	14
P Series - 20 GPM.....	4		
M Series - 25 GPM.....	4	8600SW Series	
Nema C Motor.....	5	Convertible Centrifugal Pump.....	15
87000 Series			
Rainmaker.....	6-7		
92000 & 93000 Series			
Workhorse.....	8-9		

Superbooster

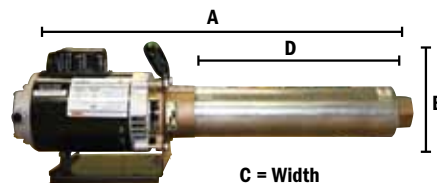
A.Y. McDonald offers a full line of superboosters ranging from 1/2 through 2 horsepower, with a flow rate ranging from 5 through 25 gallons per minute (GPM). Our superbooster offers peak capacity performance in 5, 7, 10, 15, 20, and 25 GPM models. The superbooster can be used for general purpose pumping along with residential, commercial applications, and pressure washing for agriculture.



Applications: Booster systems | Filtration | Spray systems | Water circulation | Reverse osmosis

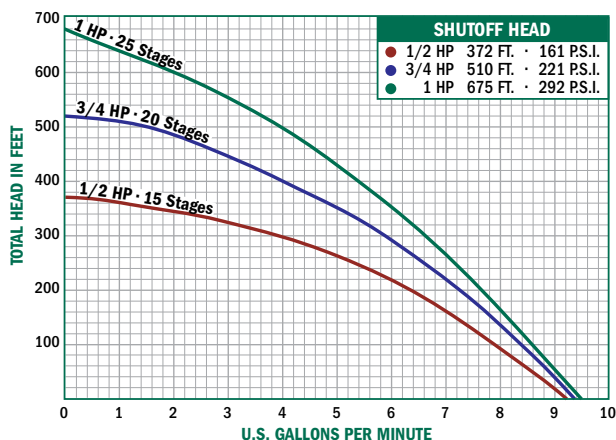
Features:

- Keyed shaft motor with shaft extension/coupling for easy motor replacement
- Heavy duty corrosion resistance construction
- No-Lead Brass intake and discharge
- Thermoplastic impellers and diffusers for long life
- Stainless steel shell, shaft extension and hex shaft
- 3/4" Ceramic/carbon rotary mechanical seal
- 1 1/4" Intake, 1 1/4" Discharge



J Series - 5 GPM 27000JHB

5 GPM Performance Curve

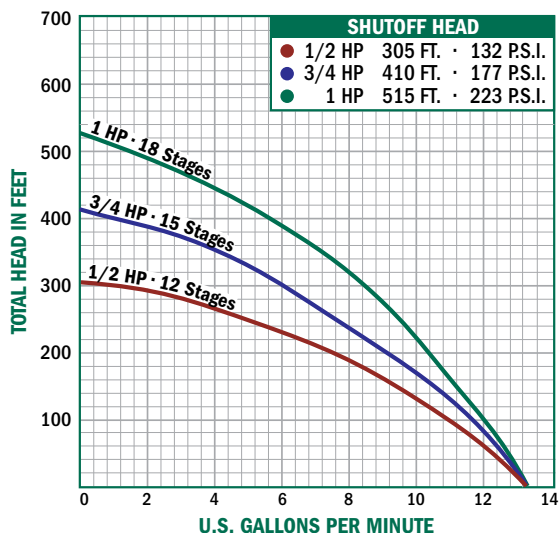


Specifications

Model	HP	Volts	Max. Amps	Intake	Discharge Size	A	B	C	D	Wt.
27050JHB	1/2	115/230	10.8/5/4	1 1/4"	1 1/4"	27.10	9.4	6.5	16.05	36
27075JHB	3/4	230/115	7.4/14.8	1 1/4"	1 1/4"	32.85	9.4	6.5	21.30	44
27100JHB	1	230/115	9.0/18.0	1 1/4"	1 1/4"	37.30	9.4	6.5	25.25	46

V Series - 7 GPM 27000VHB

7 GPM Performance Curve

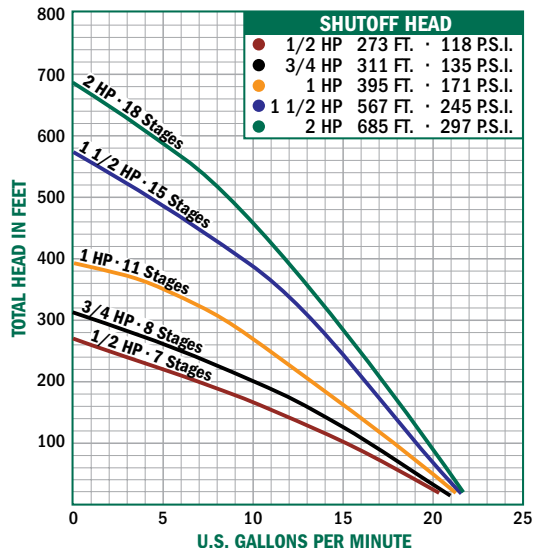


Specifications

Model	HP	Volts	Max. Amps	Intake	Discharge Size	A	B	C	D	Wt.
27050VHB	1/2	115/230	10.8/5/4	1 1/4"	1 1/4"	24.75	9.4	6.5	13.70	36
27075VHB	3/4	230/115	7.4/14.8	1 1/4"	1 1/4"	27.60	9.4	6.5	16.04	41
27100VHB	1	230/115	9.0/18.0	1 1/4"	1 1/4"	30.45	9.4	6.5	18.40	44

K Series - 10 GPM 27000KHB

10 GPM Performance Curve



Specifications

Model	HP	Volts	Max. Amps	Intake	Discharge Size	A	B	C	D	Wt.
27050KHB	1/2	115/230	10.8/5/4	1 1/4"	1 1/4"	21.13	9.4	6.5	10.08	35
27075KHB	3/4	230/115	7.4/14.8	1 1/4"	1 1/4"	22.47	9.4	6.5	10.92	40
27100KHB	1	230/115	9.0/18.0	1 1/4"	1 1/4"	25.56	9.4	6.5	13.51	42
27150KHB	1 1/2	230/115	10.7/21.4	1 1/4"	1 1/4"	30.68	9.4	6.5	18.13	53
27200KHB	2	230	10.2*	1 1/4"	1 1/4"	33.16	9.4	6.5	20.61	54

L Series - 15 GPM 27000LHB

Specifications

Model	HP	Volts	Max. Amps	Intake	Discharge Size	A	B	C	D	Wt.
27050LHB	1/2	115/230	10.8/5/4	1 1/4"	1 1/4"	22.00	9.4	6.5	10.00	30
27075LHB	3/4	230/115	6.4/12.8	1 1/4"	1 1/4"	24.00	9.4	6.5	11.00	35
27100LHB	1	230/115	7.7/15.4	1 1/4"	1 1/4"	26.00	9.4	6.5	13.00	37
27150LHB	1 1/2	230/115	10.9/21.8	1 1/4"	1 1/4"	30.00	9.4	6.5	16.00	46
27200LHB	2	230	11.1	1 1/4"	1 1/4"	31.50	9.4	6.5	18.00	47

P Series - 20 GPM 27000PHB

Specifications

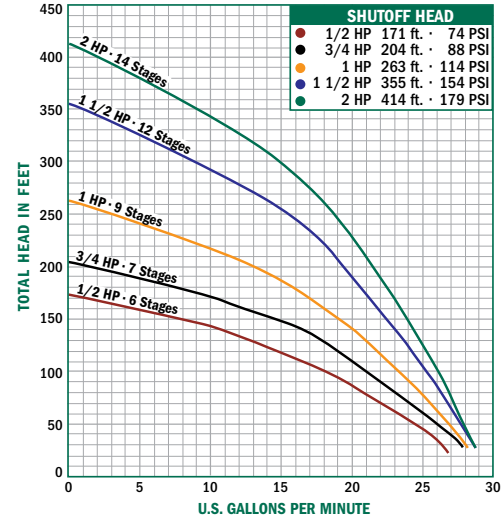
Model	HP	Volts	Max. Amps	Intake	Discharge Size	A	B	C	D	Wt.
27075PHB	3/4	230/115	6.4/12.8	1 1/4"	1 1/4"	23.00	9.4	6.5	10.00	34
27100PHB	1	230/115	7.7/15.4	1 1/4"	1 1/4"	25.00	9.4	6.5	12.00	37
27150PHB	1 1/2	230/115	10.9/21.8	1 1/4"	1 1/4"	29.00	9.4	6.5	15.00	45
27200PHB	2	230	11.1	1 1/4"	1 1/4"	30.50	9.4	6.5	17.00	47

M Series - 25 GPM 27000MHB

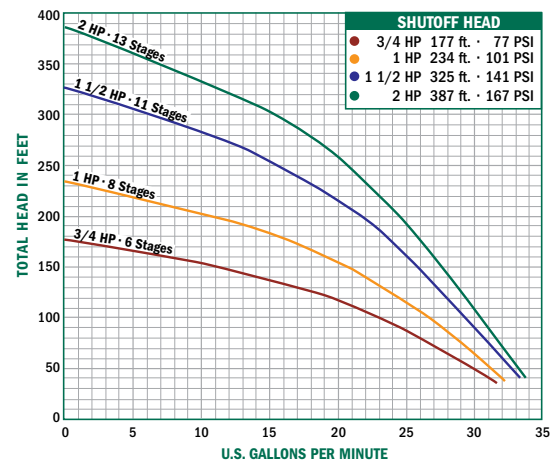
Specifications

Model	HP	Volts	Max. Amps	Intake	Discharge Size	A	B	C	D	Wt.
27100MHB	1	230/115	7.7/15.4	1 1/4"	1 1/4"	23.00	9.4	6.5	10.00	36
27150MHB	1 1/2	230/115	10.9/21.8	1 1/4"	1 1/4"	27.00	9.4	6.5	13.00	44
27200MHB	2	230	11.1	1 1/4"	1 1/4"	28.50	9.4	6.5	15.00	46

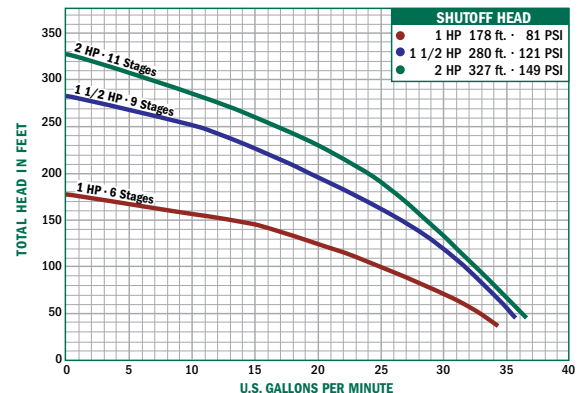
15 GPM Performance Curve



20 GPM Performance Curve



25 GPM Performance Curve



Nema C Motor

Nema C (Keyed Shaft) Motor with has a single phase, Open Drip Proof (ODP) capacitor start.

Features:



- Carbon Steel Shaft (not in contact with the water)
- Shaft 0.625" Diameter x 2.07" Long from face
- Ball Bearings (locked drive end bearing)
- Continuous Duty at 40°C / 104°F Ambient
- 60 Hertz
- Automatic Reset Thermal Overload Protector
- Round Frame (without base), NEMA 56C Mounting
- Power Leads and Ground Wire Supplied for Proper Connection to Pressure Switch
- Voltage Change Device (Except 2 HP)

Two Compartment Product | E-Z Access

HP	RPM	Frame	Volts	Catalog Number	Type	Service Factor	SF* AMPS	MTR LGTH(1)	Ship WGT	Factory Wired
1/2	3500	48/56	115/230	6903-280	FHP	1.60	10.8/5.4	9.0"	19	115V
3/4	3500	48/56	230/115	6903-281	FHP	1.50	6.4/12.8	9.5"	23	230V
1	3500	48/56	230/115	6903-282	FHP	1.40	7.7/15.4	10"	25	230V
1 1/2	3500	48/56	230/115	6903-283	FHP	1.30	10.9/21.8	10.5"	31	230V
2	3500	48/56	230	6903-284	FHP	1.20	11.1	10.5"	32	230V

*Service Factor Amps. may vary with motor manufacturer - refer to label on motor.

- (1) Length not including shaft
- (2) Contact factory for three phase and/or TEFC motors

87000 Series - Rainmaker Self-Priming Centrifugal Pumps

A.Y. McDonald Mfg. Co. 87000 Series Centrifugal Pumps cover a wide range of applications. These portable units are ideal for lawn and turf sprinkling, garden irrigation and pool filling. They can also be used as standby pumps for fire protection, as well as for other commercial uses.

87000 Series pumps are suitable for installations where the vertical distance from the pump to the water level does not exceed 25 feet. In all installations, friction losses in the suction pipe must be taken into consideration.

This series is available in sizes ranging from 3/4 HP to 2 HP and is designed for both high pressure and high capacity.



Features:

- Needs no lubrication
- Self-adjusting mechanical seal
- Heads to 115 ft. or pressures to 50 PSI
- Flow rates to 70 GPM
- Residential and industrial uses
- Minimal operation costs
- High impact molded impellers and diffusers
- High quality cast iron housing
- Top suction with large reservoir
- Threaded shaft Nema J motor design
- Air volume control connection

Specifications

Model	HP	Volts	Phase	Weight
87070	3/4	230/115	1	42 lbs.
87100	1	230/115	1	45 lbs.
87150	1 1/2	230/115	1	49 lbs.
87200	2	230	1	58 lbs.

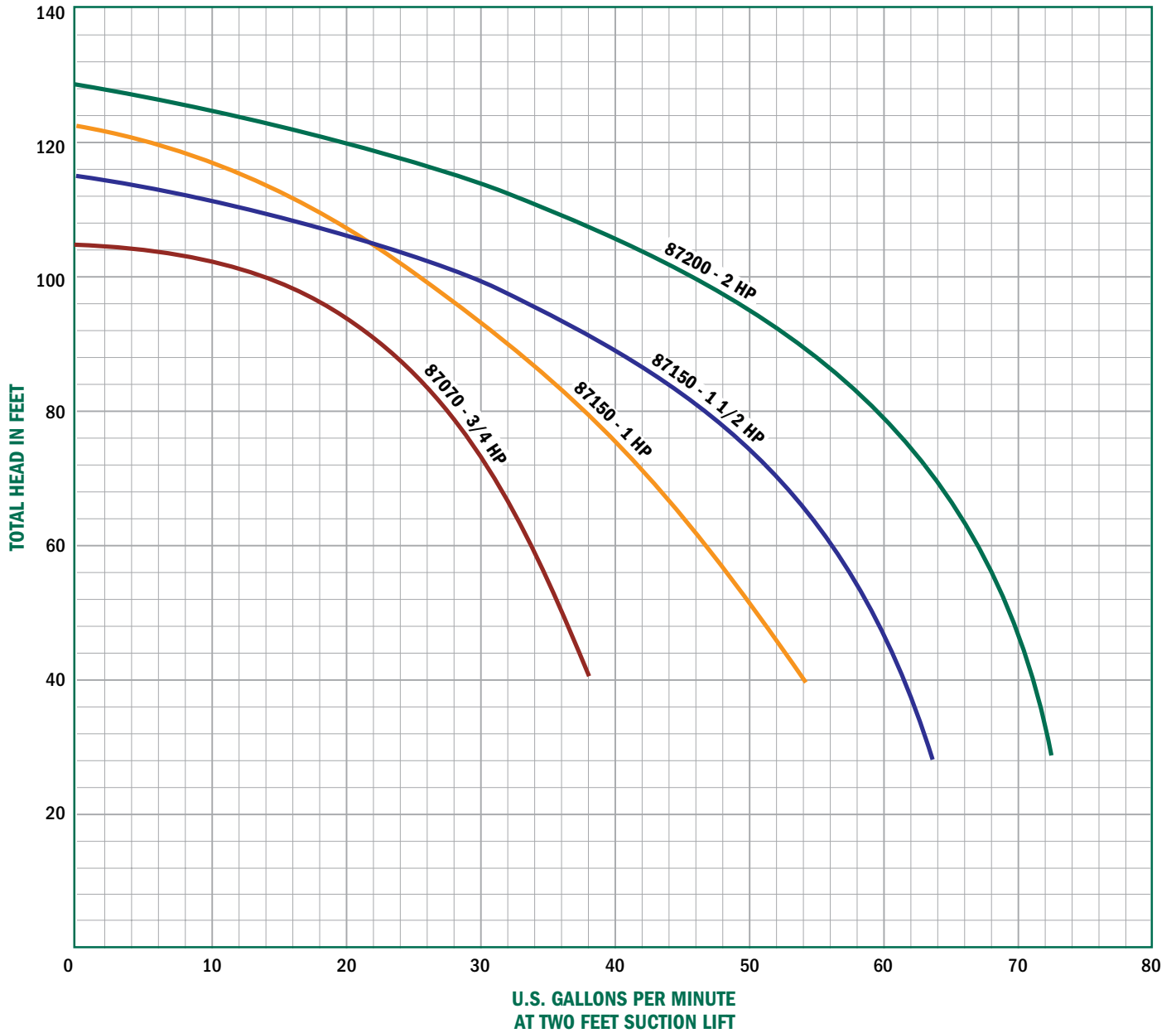
Suction x Discharge on all models 1 1/2" x 1 1/2"

Performance

Model	HP	Suction Lift - FT.	Capacities in GPM at Discharge Pressure			Max. PSI/FT.
			20	30	40	
87070	3/4	5	37	30	21	44 / 102
		15	32	26	--	40 / 90
		25	30	5	--	36 / 81
87100	1	5	50	42	30	52 / 120
		15	46	31	22	48 / 111
		25	41	30	11	44 / 102
87150	1 1/2	5	58	49	35	46 / 106
		15	51	40	18	42 / 97
		25	41	32	--	38 / 88
87200	2	5	69	62	48	54 / 125
		15	57	52	39	50 / 115
		25	44	41	26	46 / 106

87000 Series - Rainmaker Self-Priming Centrifugal Pumps

Performance Curves



92000 & 93000 Series - Workhorse End Suction Centrifugal Pumps

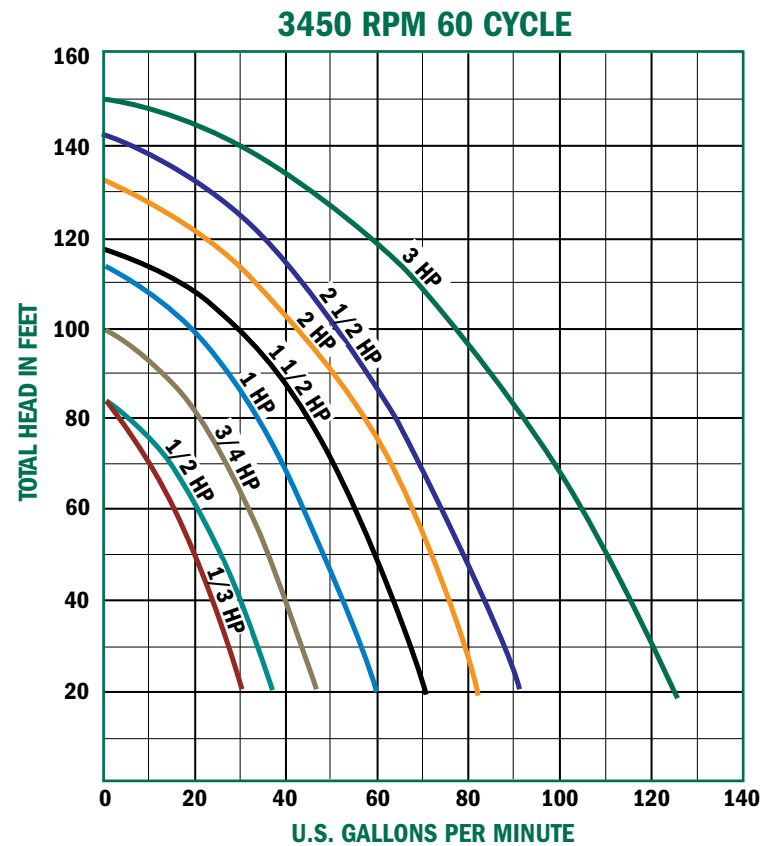
A.Y. McDonald Mfg. Co. 92000 & 93000 Series Centrifugal Pumps cover a wide range of applications. Ideal for booster systems, farms, industry, lawn sprinkling, irrigation, air conditioning tower cooling, and other water transfer applications.

Features:

- Heavy duty cast iron construction
- Quality Nema standard square flange motor
- Precision molded Noryl impeller (no-lead bronze available)
- Four position discharge with three drain ports
- Easy serviceability with rear pull out design, no need to disturb plumbing

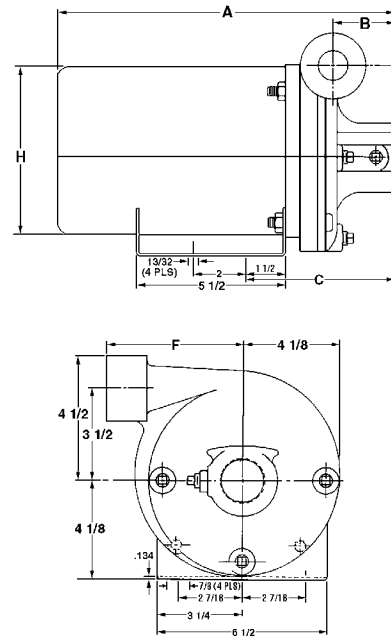


Performance Curve



*Performance based on flooded suction conditions

Dimensions



NOTE: Four position discharge - vertical or horizontal.
Air volume control tapping - optional on suction side of pump.

92000 & 93000 Series - Workhorse End Suction Centrifugal Pumps

Performance (GPM)

Model	HP	Total Head in FT.												Max Head FT / PSIG
		30	40	50	60	70	80	90	100	110	120	130	140	
92030 93030	1/3	28	23	20	16	10								84'/36 #
92050 93050	1/2	33	30	26	21	14								83'/36 #
92070 93070	3/4	42	40	36	31	28	21	11						100'/43 #
92100 93100	1	57	52	49	42	39	32	28	19					113'/48 #
92150 93150	1 1/2	68	62	60	55	50	43	38	30	18				118'/51 #
92200 93200	2	79	76	73	69	63	58	50	41	32	22			132'/57 #
92250	2 1/2		84	79	75	70	65	59	52	45	35	24		142'/61 #
92300 93300	3		115	110	103	98	91	85	78	69	59	46	30	150'/65 #
Model	HP	13	17	21	26	30	34	39	43	47	52	56	60	
PSIG														

Specifications

Model No.	HP	Voltage & Phase	Ports		Pump Dimensions - Inches					Packing Dimen. Inches	Weight LBS
			SUCT.	DISCH.	A	B	C	F	H		
92030	1/3	115/230/1	1 1/4"	1"	15.40	2.35	6.10	4.35	5.60	15.5 x 8.5 x 10	31
92050	1/2	115/230/1	1 1/4"	1"	15.40	2.35	6.10	4.35	5.60	15.5 x 8.5 x 10	33
92070	3/4	230/115/1	1 1/4"	1"	15.90	2.35	6.10	4.35	5.60	16.5 x 9.5 x 10	34
92100	1	230/115/1	1 1/4"	1"	16.40	2.35	6.10	4.35	5.60	16.5 x 9.5 x 10	38
92150	1 1/2	230/115/1	1 1/4"	1"	16.60	2.35	6.10	4.35	5.60	16.5 x 9.5 x 10	41
92200	2	230/1	1 1/2"	1 1/4"	18.15	2.90	6.75	4.70	6.30	18.25 x 9.5 x 10	43
92250	2 1/2	230/1	2"	1 1/2"	18.15	2.90	6.75	4.70	6.30	18.25 x 9.5 x 10	45
92300	3	230/1	2"	1 1/2"	18.15	2.90	6.75	4.70	6.30	18.25 x 9.5 x 10	55

- All models are available in three phase - specify voltage and replace first "2" in model number with "3".

Example: 92050 (single phase) vs. **93050** (three phase).

- Plastic impeller is standard. For no-lead bronze impeller, substitute "1" for last "0" in model number.

(No-Lead bronze impeller available only through 1/3 and 1/2 HP), **Example: 92050** (plastic) vs. **92051** (no-lead bronze).

88000 Series Self-Priming Centrifugal Pumps

A.Y. McDonald offers a full line of centrifugal pumps built for years of trouble free operation, with the highest pump efficiency impellers and diffusers. The impellers are extra smooth and are made of molded glass filled thermoplastic. Glass filled engineered thermoplastic replaceable diffusers are easily serviced and inexpensive to maintain. The 88000 series is ideal for both residential / commercial lawn and turf sprinkler systems.

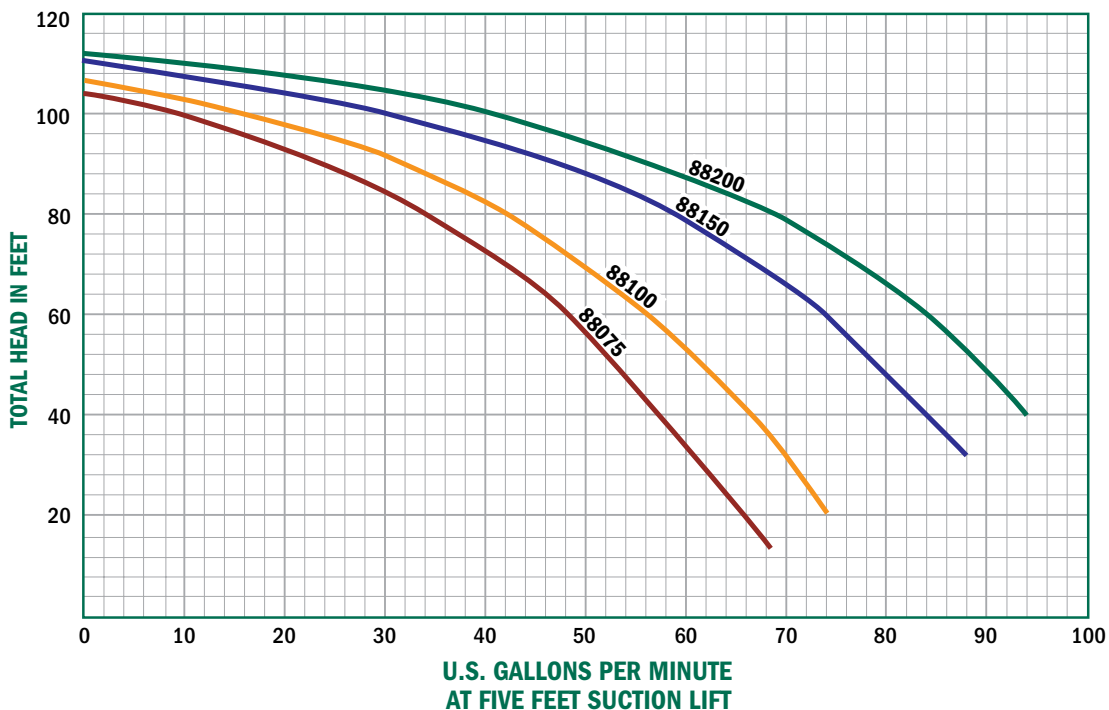
All 88000 Series Centrifugal Pumps come with a 1 1/2" NPT discharge, 2" NPT suction, and sizes range from 3/4 to 2 horse power (HP).

Features:

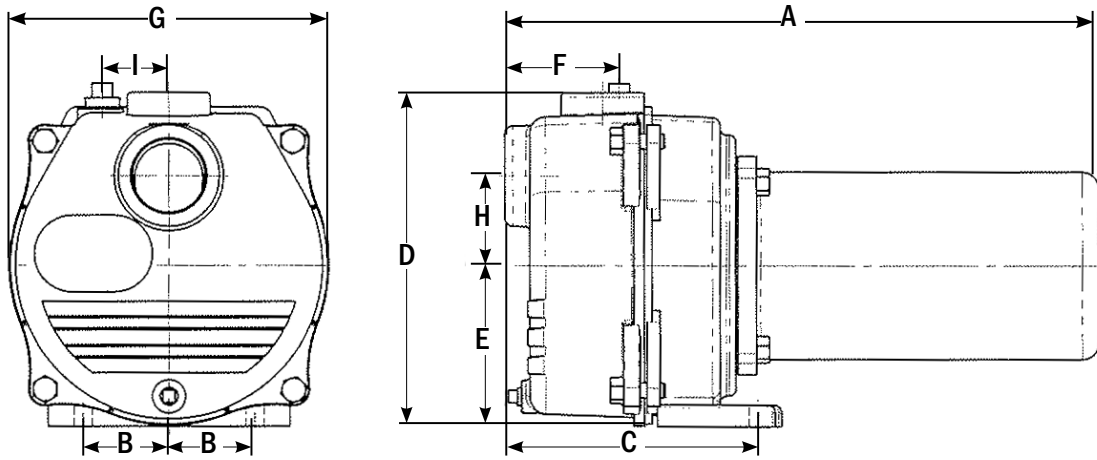
- Casing & Seal Plate-Built from rugged cast iron
- Shaft Seal - Standard 5/8" rotating mechanical seal, for a reliable seal against water leakage
- Drain Plug - For easy drainage of pump
- Priming Plug - To facilitate rapid priming
- O-Ring Casing Seal - For positive seal & ease of service
- Brass Wear Ring - Installed in diffuser to maximize hydraulic pump efficiency
- Motor - Single phase capacitor start, 115/230 volt with Higher than Nema service factors
- Stainless Steel motor shaft for corrosion resistance



Performance Curve



88000 Series Self-Priming Centrifugal Pumps



Dimensions

Model	Inches								
	A	B	C	D	E	F	G	H	I
88075	10.88	2.59	7.63	10.03	4.84	2.95	9.63	2.69	2.00
88100	11.88	2.59	7.63	10.03	4.84	2.95	9.63	2.69	2.00
88150	12.63	2.59	7.63	10.03	4.84	2.95	9.63	2.69	2.00
88200	12.65	2.59	7.63	10.03	4.84	2.95	9.63	2.69	2.00

Performance

Model	HP	Suction Lift - FT.	Capacities in GPM at Discharge Pressure				Max. PSI
			10	20	30	40	
88075	3/4	5	63	52	40	12	45
88100	1	5	72	62	46	20	45
88150	1 1/2	5	90	80	64	40	47
88200	2	5	97	90	74	47	48

Specifications

Model	HP	Volts	Phase	Impeller Material	Suction NPT	Discharge NPT	SF	Ship WT. (lbs.)
88075	3/4	115/230	1	Noryl	2"	1 1/2"	1.65	64
88100	1	115/230	1	Noryl	2"	1 1/2"	1.65	66
88150	1 1/2	115/230	1	Noryl	2"	1 1/2"	1.47	72
88200	2	230	1	Brass	2"	1 1/2"	1.30	76

84000 Series Self-Priming Centrifugal Pumps

The A.Y. McDonald 84000 Series Centrifugal Pumps is designed for both high pressure and high capacity to cover a wide range of applications. These portable units are ideal for lawn and turf sprinkling, garden irrigation, pool filling, and can be used as standby pumps for fire protection as well as other commercial uses. Individually balanced heavy-duty cast iron impellers handle silt and muddied water with a minimum of effort.

84000 Series pumps are suitable for installation where the vertical distance from the pump to the water level does not exceed 25 feet. In all installations, friction losses in the suction pipe must be taken into consideration.

This series is available in three and five horse power (HP).

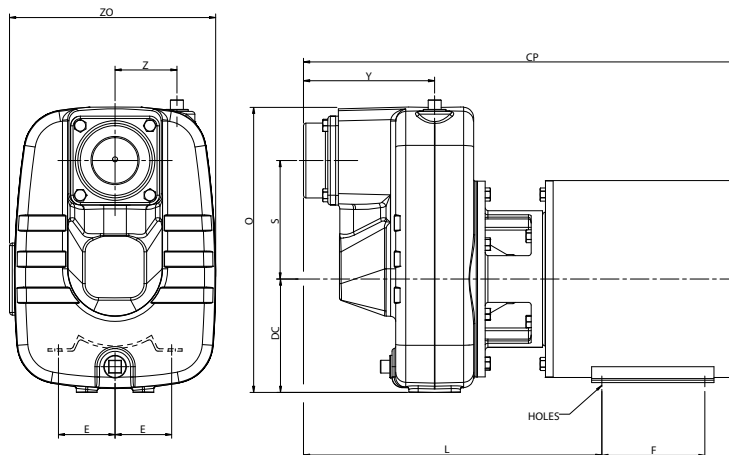
The single phase motors are 230 volt only.

Three phase motors are also available for three and five horse power (HP) and require thermal overloads to be installed separately.

Complete unit includes pump, motor, and suction check valve for positive priming.

Features:

- Residential and industrial uses
- Capacities to 170 GPM
- Heads to 171 ft. or pressure to 74 PSI
- Self-adjusting mechanical seal
- Needs no lubrication
- No foot valves or priming devices needed
- All units have built-in check valve
- Minimal operation costs

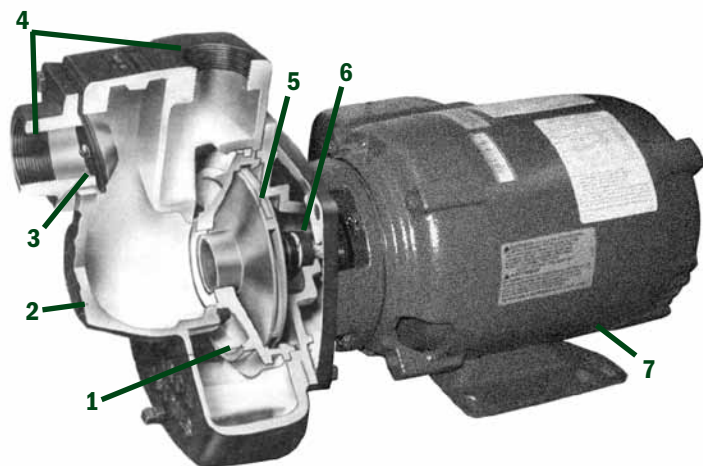


Dimensions

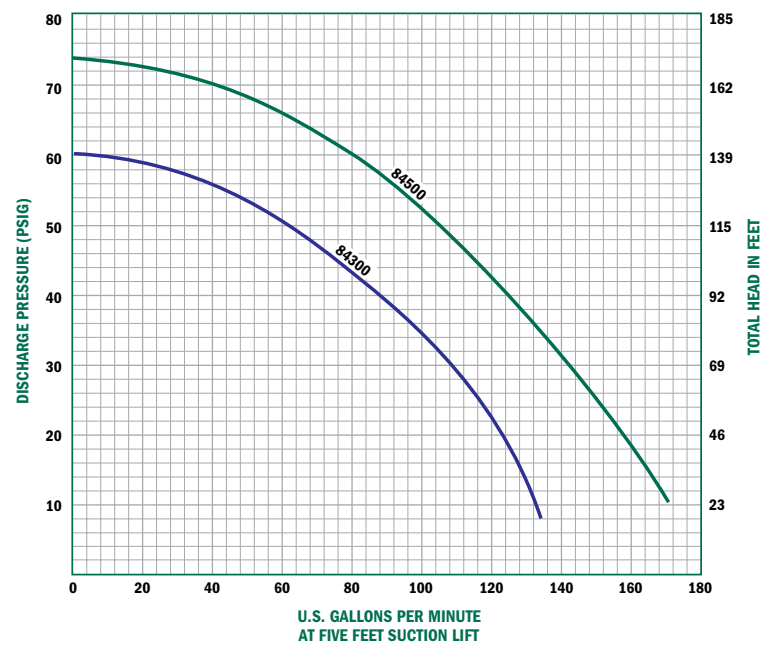
Model	Suction	Discharge	Inches											
			CP	D	DC	E	F	H	L	O	S	Y	Z	Z0
84300	2 NPT	2 NPT	23.25	4.50	5.00	3.75	5.00	.44	14.75	13.25	6.00	6.38	3.00	9.75
84500	2 1/2 NPT	2 NPT	23.38	4.50	5.56	3.75	2.75	.40	15.12	13.88	5.75	6.38	3.00	9.75

*84300 & 84500 Model have a "JM" face motor connection (not shown).

84000 Series Self-Priming Centrifugal Pumps



- 1 - Diffuser
Cast Iron
- 2 - Casing
Cast Iron
- 3 - Built-in Check Valve
- 4 - Discharge & Suction
- 5 - Impeller
- 6 - Seal
- 7 - Motors
J M Frame design on 3 & 5 HP



Performance

Model	HP	Suction Lift - FT.	Capacities in GPM at Discharge Pressure					Max. Shut off pressure	
			10	20	30	40	50		60
84300	3	10	120	117	102	80	48	59 PSIG	
		20	88	86	82	68	26		
84500	5	10	145	138	126	115	97	65	74 PSIG
		20	105	104	100	95	77	47	

Specifications

Model	HP	Volts	Phase	Impeller Material	Suction Pipe Size	Discharge Size	Ship WT
84300	3	208/230	1	Cast Iron	2"	2"	136
84500	5	208/230	1	Cast Iron	2 1/2"	2"	146

115 Low voltage - motor label has instructions.

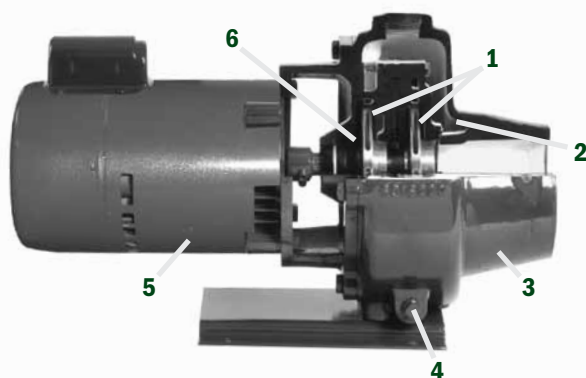
1500XSW Series Multi-Stage Centrifugal Pumps

This two stage construction multi-stage centrifugal pump provides pressure to 60 PSI for high pressure applications. Motors are Nema standard construction, coupled shaft design and available in both single and three-phase. Housing and adapter are cast iron. Impeller of your choice - no-lead bronze or plastic.



Features:

- Trouble-free (carbon-ceramic) seal.



- 1 - Impeller**
Available in either dynamically balanced no-lead bronze or engineered thermoplastic
- 2 - Cast Iron Diffusers**
Precision machined for greatest efficiency
- 3 - Cast Iron Pump Body & Motor Adapter**
- 4 - Drain Plug**
- 5 - Nema Standard Motor**
Heavy duty, capacitor start, dual voltage (230/115) with built-in overload protection. Choice of 3/4, 1, 1 1/2, & 2 HP. 50 Hz. or 60 Hz.
- 6 - Shaft Seal**
Standard 3/4" ceramic carbon rotating mechanical seal

Performance

Model No.	HP	Voltage	Phase	Suction	Discharge	Stages
1575XSW	3/4	115/230	1	1 1/4"	1"	2
1575XSW3	3/4	230/460	3	1 1/4"	1"	2
1510XSW	1	115/230	1	1 1/4"	1"	2
1510XSW3	1	230/460	3	1 1/4"	1"	2
1515XSW	1 1/2	115/230	1	1 1/4"	1"	2
1515XSW3	1 1/2	230/460	3	1 1/4"	1"	2

- To order with plastic impeller, add "P" to model number above. Example: 1575XSWP

Specifications

Model No.	HP	Suction Lift - FT.	Capacities in GPM at Discharge Pressure				
			20	30	40	50	60
1575XSW 1575XSW3	3/4	10	34.3	28.8	22.2		
		15	33.2	27.6	20.4		
		20	32	26	18.4		
		25	29.9	24.9	--		
1510XSW 1510XSW3	1	10	41.7	37.7	31.7	24.2	
		15	40	36.5	30.2	22.2	
		20	36.6	34.3	28.5	19.8	
		25	29.5	28.5	26.5	16.5	
1515XSW 1515XSW3	1 1/2	10	42.3	40.5	36.5	32	24.5
		15	41.7	39.8	35.3	29.3	23
		20	40.3	39	34	28	21
		25	33.3	32.5	31	26.5	18.8

- To order with plastic impeller, add "P" to model number above. Example: 1575XSWP

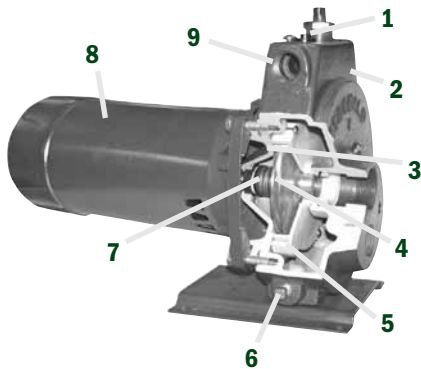
8600SW Series Convertible Centrifugal Pumps



The convertible centrifugal pump is ideal for lawn sprinkling, garden irrigation, pool filling, draining, cooling towers, and other water transfer applications. The square flange construction has a high service factor rating for continuous operation. The 8600SW pump has a capacity to 65 gallons per minute (GPM), and requires no maintenance.

Features:

- Self-priming under normal conditions
- Time proven 5/8" mechanical seal
- Pressure to 40 PSI / 92 feet head
- For shallow wells, lakes, streams, or booster systems



- 1 - Internal Regulating Valve**
(Manual adjustment for deep well only)
- 2 - Cast Iron Pump Body**
- 3 - Seal / Condensation Plate**
Provides air gap between motor & water chamber
- 4 - Impeller**
Available in engineered polycarbonate thermoplastic
- 5 - Diffusers**
Multi-volute engineered thermoplastic diffuser for maximum capacity and pressure
- 6 - Drain Plug**
- 7 - Shaft Seal**
Standard 5/8" ceramic carbon rotating mechanical seal
- 8 - High Service Factor, Capacitor Start, Threaded Shaft, Square Flange Motor**
Built to Nema specifications by nationally known manufacturers to assure local service availability. Choice of 1/3, 1/2, 3/4, & 1 HP. 50 Hz. or 60 Hz.
- 9 - Zinc Plated Plug**
(With Pressure Gauge Tap and 1/4" plug)

Performance

Model No.	HP	Suction Lift-FT.	Capacities in GPM at Discharge Pressure							Maximum Shut Off Pressure PSI / FT.
			5# / 12'	10# / 23'	15# / 35'	20# / 46'	25# / 58'	30# / 69'	35# / 81'	
8650SW	1/2	10	52	49.5	47	39.5	25	10.8	--	34# / 78'
		20	46.5	45.5	40.5	28	11.5	--	--	30# / 69'
8670SW	3/4	10	60	60	57.8	56	51.5	40	--	38# / 88'
		20	52	52	52	50	41	19.3	--	34# / 78'
8610SW	1	10	65	65	62.8	60.8	57	50	41.5	42# / 97'
		20	54	54	53.5	52.5	48	41	26	38# / 88'

Specifications

Model	HP	Volts	Pipe Sizes		Shipping Weight
			Suction	Discharge	
8650SW	1/2	115 / 230	1 1/4"	1"	40#
8670SW	3/4	230 / 115	1 1/4"	1"	42#
8610SW	1	230 / 115	1 1/4"	1"	46#

- **Suction pipe** = 1 1/4" NPT. For best results increase to 2" NPT within 6" of pump intake.
- **Discharge pipe** = 1" NPT. For best results increase to 1 1/2" NPT within 6" of pump outlet using priming plug opening.
- Maximum allowable operating pressure = 100 PSIG (as a booster pump, for example).

Note: Standard 8600 series pumps, with pressure switch, may also be used with these applications and if the 3/4" top discharge tapping is increased to 1 1/2" NPT similar, but slightly less, capacity will be obtained.



A.Y. McDonald Mfg. Co. is a leading manufacturer of Waterworks Brass, Plumbing Valves, Pumps and Water Systems, and High Pressure Gas Valves and Meter Bars. The Company has distinguished itself with a proud tradition of quality and reliability since its founding in 1856.

The mission of A.Y. McDonald Mfg. Co., in the words of our founder, is “to make good products and sell them honestly.” We, the stockholders and employees, accomplish this by extending the McDonald family culture through excellent customer service and by focusing on our customers’ needs.



WARNING: It is unlawful in CALIFORNIA & VERMONT (effective 1/1/2010); MARYLAND (effective 1/1/2012); LOUISIANA (effective 1/1/2013) and the UNITED STATES OF AMERICA (effective 1/4/2014) to use any product in the installation or repair of any public water system or any plumbing in a facility or system that provides water for human consumption if the wetted surface area of the product has a weighted average lead content greater than 0.25%. This prohibition does not extend to service saddles used in California, Louisiana or under USA Public Law 111-380.

