

## IMPORTANT NOTICE - READ CAREFULLY

McDonald Jet Pump Repair Kits include two styles of seals to cover two body designs.

If your pump body has a 1/4" wide flat face (see Figure A), you will need to carefully clean off the old gasket and use the new flat gasket.

If your pump body has a 45° chamfer (or bevel) cut where the face meets the inside diameter of the body (see Figure B), you will need to be sure the sealing surface is clean and use the O-Ring seal.

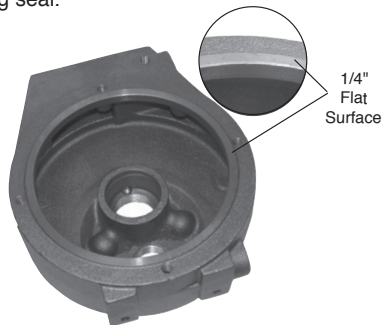


Figure A

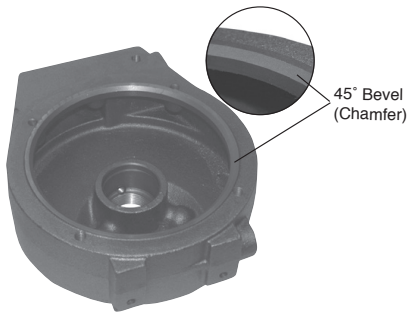


Figure B

**WARNING:** It is unlawful in **CALIFORNIA & VERMONT** (effective 1/1/2010); **MARYLAND** (effective 1/1/2012); **LOUISIANA** (effective 1/1/2013) and the **UNITED STATES OF AMERICA** (effective 1/4/2014) to use any product in the installation or repair of any public water system or any plumbing in a facility or system that provides water for human consumption if the wetted surface area of the product has a weighted average lead content greater than 0.25%. This prohibition does not extend to service saddles used in California, Louisiana or under USA Public Law 111-380.

**A.Y. McDonald Mfg. Co.**