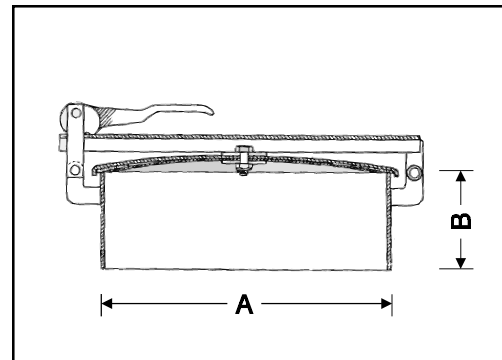


Features

Durable, full opening access manhole ideal for non-pressure applications. Strong back channel hinge design provides secure closure. Various collar heights available. Standard gasket material is Hi-Temp (200 degree F operating temperature), with other gasket materials available.



Part No.	Size	Material	Wt.
1607-03-1660	16"	Aluminum	20.0
1607-03-1860	18"	Aluminum	22.0
1607-07-1660	16"	304 Stainless	31.0
1607-07-1860	18"	304 Stainless	35.0
1607-07-2000	20"	304 Stainless	45.0
1607-07-2460	24"	304 Stainless	55.0
1607-09-1660	16"	Mild Steel	31.0
1607-09-1860	18"	Mild Steel	35.0
1607-09-2060	20"	Mild Steel	45.0
1607-09-2400	24"	Mild Steel	55.0
Size	A	B	
16"	17.125"	6"	
18"	19.125"	6"	
20"	21.125"	6"	
24"	25.125"	6"	



1607