

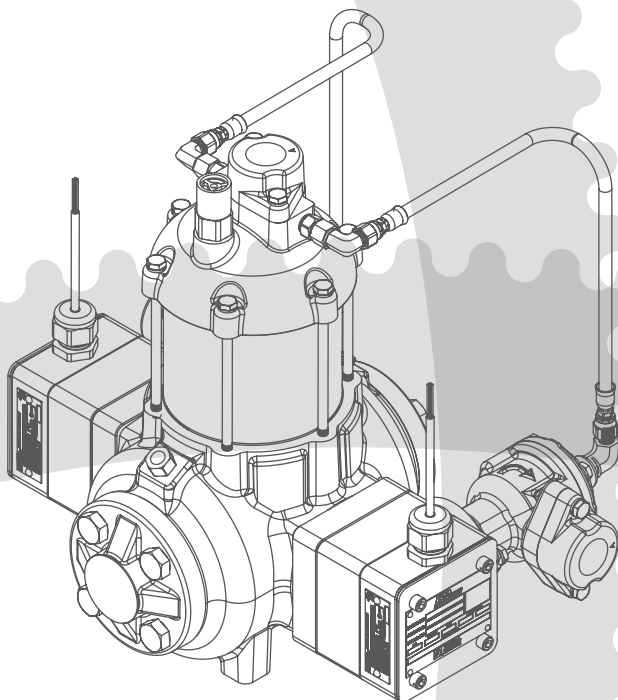


FILL-RITE[®]

PRECISION

METERS

Precision Dispenser Meters
for Liquefied Petroleum Gas Applications



FILL-RITE[®] PRECISION METERS



Tuthill Transfer Systems' Fill-Rite brand provides the most dependable precision meters on the market with a highly competitive offering for the custody transfer of Liquefied Propane Gas (LPG) dispenser applications. Whether the requirement is for retail or wholesale dispense, Fill-Rite accommodates single or double hose metering for a wide range of LPG installation options with simplicity and precision.

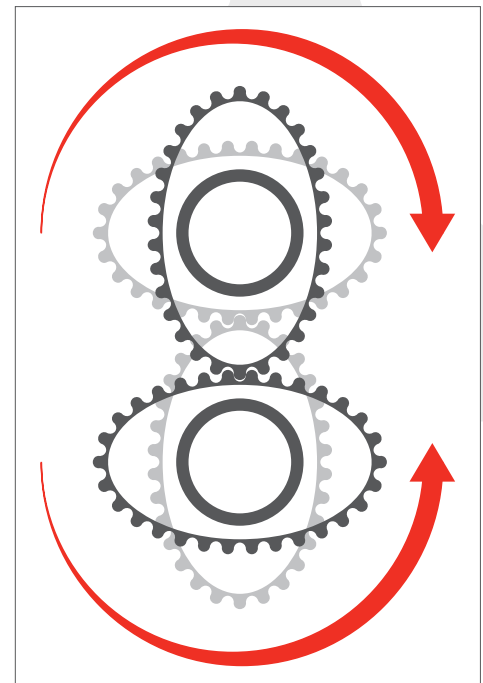
Unlike mass flow meters, the patented wave oval gear design is a positive displacement meter that does not require laminar flow to operate properly, which means the meters can be installed in very tight spaces. Due to the simplicity of only two moving parts and minimal seal sets, a significant operational savings is realized due to accuracy and low maintenance.

With the precise oval gear and chamber manufacturing process blow-through and slippage are virtually eliminated which substantially increases meter accuracy and repeatability. Fill-Rite LPG meters meet or exceed the requirements of NIST Handbook 44, the Canadian Weights and Measures Acts and Regulations, and the European and Australian OIML R117.

With maximum flexibility in system integration, the Fill-Rite meters establish a new standard of excellence for LPG dispenser applications.

FEATURES and BENEFITS

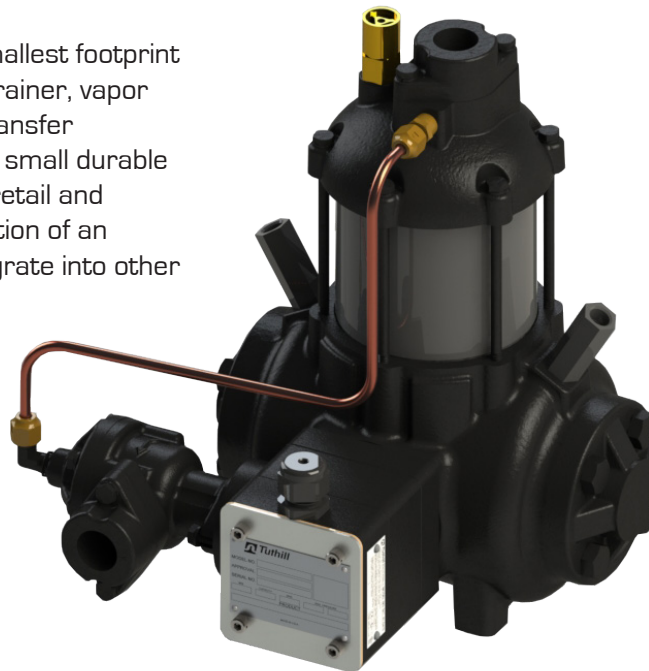
- Weights & Measures approved
- Positive displacement oval gear design - only two moving parts – maximum durability, low maintenance
- No metal - to - metal contact in the chamber or bearings
- Small footprint lets you fit the meter into tight compartments
- No need for laminar flow
- Pulse output can be scaled, calibrated, or linearized to match your needs for electronics compatibility
- Multiple thread options
- Flow ranges from 3 gpm to 18 gpm
- Available in Anodized Aluminum
- ¾" flange mounting
- Temperature compensation capabilities
- Electronic digital register available
- Smooth performance at low and high operating pressures
- Pulse outputs - 300 PPG scaled to 100 PPL



Patented "Wave Form" oval gear design is more durable, quieter, and provides better accuracy compared to other oval gears with low differential pressure for maximum flow.

LPG Single Hose Dispenser Meter

The single hose Fill-Rite LPG meter has the smallest footprint in the market for a meter integrated with a strainer, vapor eliminator, and back pressure valve. Tuthill Transfer Systems utilizes simple but rugged design in a small durable package that easily fits into most single hose retail and commercial retail dispensers. Offering the option of an electronic digital register, it is possible to integrate into other electronic systems for on-board billing.



TS06AS83

LPG Double Hose Dispenser Meter

The double hose Fill-Rite LPG meter offers all the benefits of the single hose but with compelling efficiencies due to the dual output capabilities utilizing one meter housing. Instead of using another meter, the twin meter design provides the capacity and benefits of another meter while utilizing the same strainer and vapor eliminator and back pressure valve. Combined with an optional electronic digital register, it is possible to integrate into other electronic systems for on-board billing.

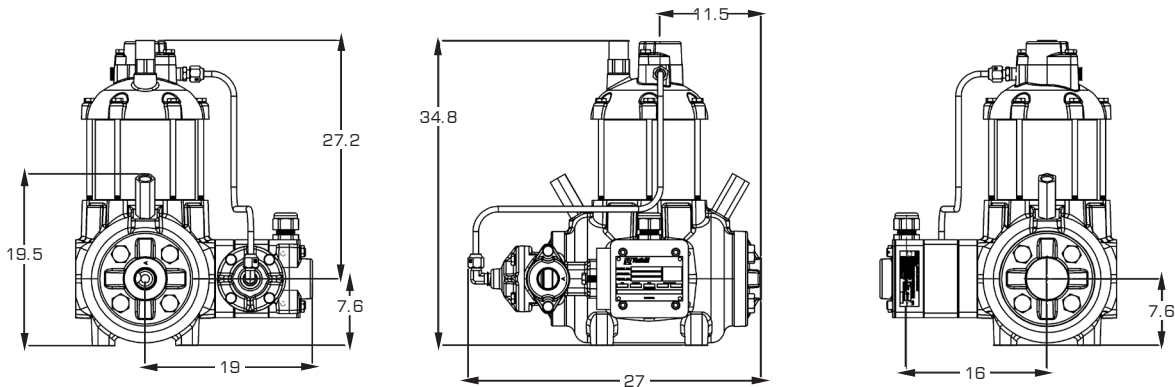


TS06AS84

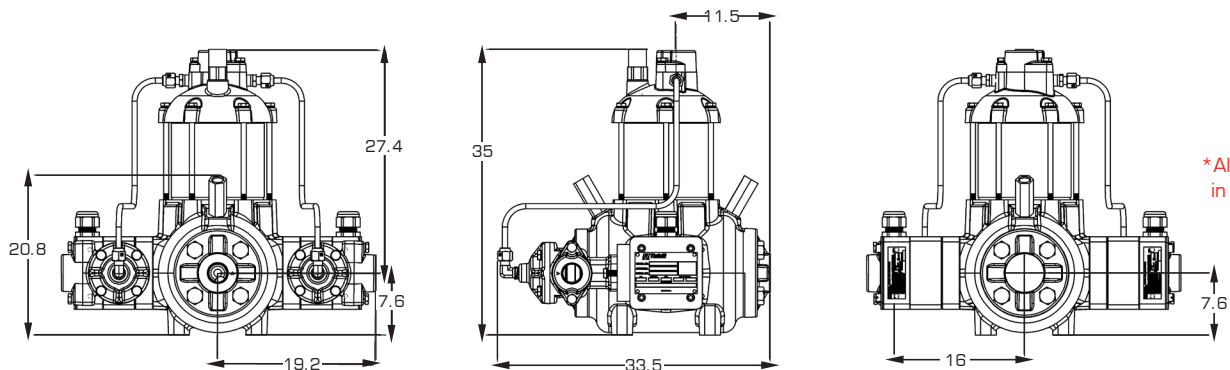
SERIES SPECIFICATIONS

	TS06AS83 (LPG Single) and TS06AS84 (LPG Twin)
Nominal Capacity (GPM)	3 to 18
Nominal Capacity (LPM)	11.4 to 68
Linearity	better than $\pm 0.60\%$
Linearity Downturn	6:1
Repeatability	$\pm 0.24\%$
Pressure Rating (at 100°F/40°C)	350 PSI at 100°F = 24 bar at 40°C
Temperature Rating	- 13°F to 131°F = -25°C to 55°C
Approvals	Weights & Measures US, CE, Mark, UL
Flow Meter	CE Mark, NTEP (US W&M), UL
Pulser	Intrinsically Safe, UL, cUL, & ATEX listed
Hazardous Location	Class 1, Division 1, Group D (LPG)
Unscaled Pulse Resolution (PPG)	380
Unscaled Pulse Resolution (PPL)	100
Materials - Case	Anodized Aluminum
Materials - Gears	Stainless Steel
Materials - Posts	Stainless Steel
Materials - Seals	UL Buna N

TS06AS83



TS06AS84



*All Measurements
in Centimeters

FRPMDispenseLPGMeterPB-Rev2