

The Facet VF-21SB & VF-22SB are versatile, compact, economical, light weight housings for superior in-line filtration protection. These housings utilize the same elements as previous Series 21 & 22 housings, but offer the benefit of a quick open swing bolt type close along with a new optional mounting bracket for installation.

Depending on the type of cartridge selected, the housing may be used as a filter, absorptive filter, filter separator or air/gas entrainment separator to remove solids, water, mist or hydrocarbon carryover.

**CAUTION:** FULL FLOW MONITORS ARE NOT FOR USE IN FUEL CONTAINING ANTI-ICING ADDITIVE (FSII, PRIST, DI-EGME). THIS INCLUDES PRE-MIXED AND MILITARY FUELS CONTAINING THIS ADDITIVE.

### COMMON APPLICATIONS

- Jet Fuel
- Avgas
- Gasoline
- Diesel
- Bio-Diesel
- Lube Oil
- Insulating Oil
- Hydraulic Oil
- Transformer Oil
- Solvents
- Compressed Air
- LNG

### STANDARD HOUSING DESIGN

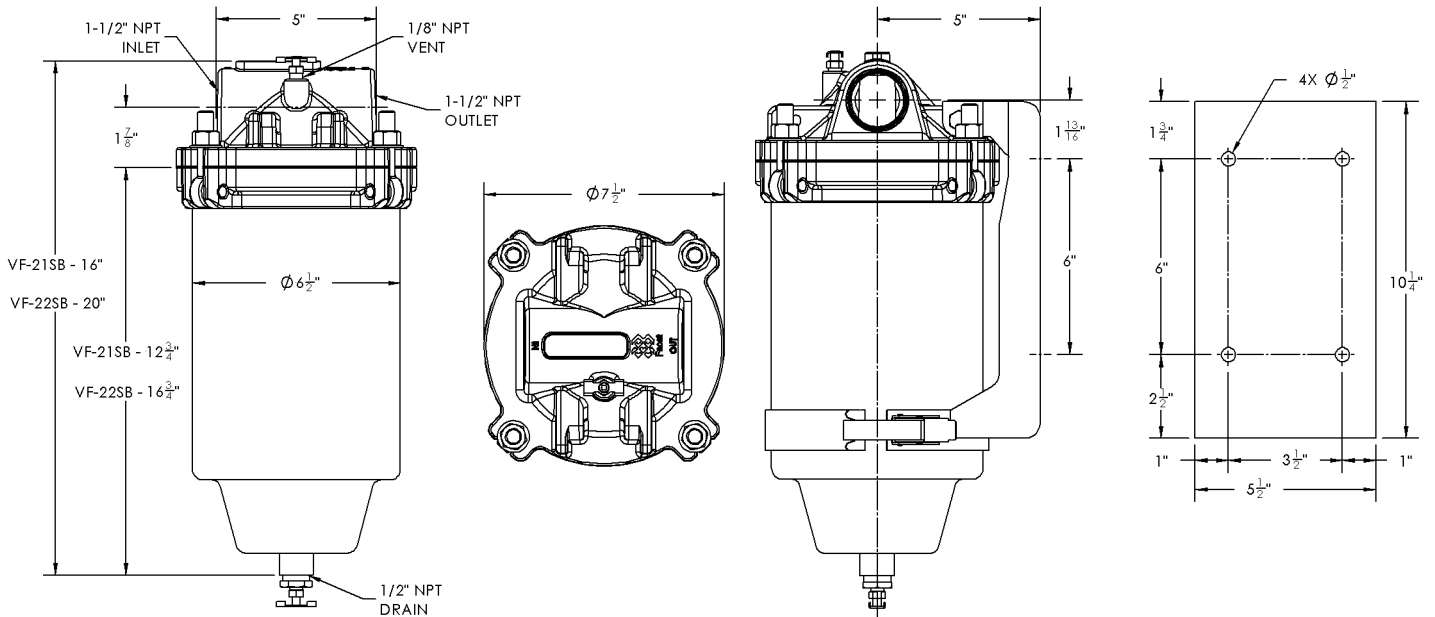
- Carbon steel body
- Aluminum head
- Epoxy coated internally and externally
- 150 psi (10.5 kg/cm<sup>2</sup>) design pressure
- Swing bolt quick open closure
- Buna-N o-ring closure gasket
- Vent and drain connections w/brass petcocks provided
- 1-1/2" NPT inlet and outlet connections

### VESSEL OPTIONS

<b>VF-21SB</b>	Housing only
<b>VF-21SB-PG</b>	Housing w/Direct Reading Differential Pressure Gauge
<b>VF-21SB-PGS</b>	Housing w/ Direct Reading Differential Pressure Gauge & Sight Glass
<b>VF-21SB-PGWP</b>	Housing w/ Direct Reading Differential Pressure Gauge & 3/4" Coupling for Water Probe
<b>VF-21SB-S</b>	Housing w/Sight Glass
<b>VF-21SB-WP</b>	Housing w/ 3/4" Coupling for Water Probe
<b>VF-22SB</b>	Housing Only
<b>VF-22SB-PG</b>	Housing w/ Direct Reading Differential Pressure Gauge
<b>VF-22SB-PGS</b>	Housing w/ Direct Reading Differential Pressure Gauge & Sight Glass
<b>VF-22SB-PGWP</b>	Housing w/ Direct Reading Differential Pressure Gauge & 3/4" Coupling for Water Probe
<b>VF-22SB-S</b>	Housing w/Sight Glass
<b>VF-22SB-WP</b>	Housing w/ 3/4" Coupling for Water Probe
<b>644160</b>	Mounting Bracket
<b>644964</b>	Grounding Cable

**Differential Pressure Gauge-** The piston-type differential pressure gauge provides a simple visual warning. When 15 psi differential pressure is reached, the gauge indicator moves from green to red zone. This warning will prevent premature cartridge change-out.

**Water Sight Glass-** The water sight glass provides an easy means to detect water in the sump. The weighted ball, visible in the sight glass, will float only when water is present. The floating ball is an indication water should be drained from the housing to prevent both cartridge contamination and water traveling downstream from the housing.



## CARTRIDGES AVAILABLE

Housing	Cartridge Type & Model	Micron	Flow Rate (GPM)			Flow Rate (scfm)					
			Gasoline	Jet Fuel	Diesel	Air/Gas					
*VF-21SB	<b>Filter</b>										
	CF-609-2PLO	2	45	45	45						
	CF-609-5PLO	5	45	45	45						
	CF-609-10PLO	10	45	45	45						
	CF-609-25PLO	25	45	45	45						
	<b>Coalescer Separator or Air/Gas Separator</b>					<b>psi</b>	<b>25</b>	<b>50</b>	<b>75</b>	<b>100</b>	<b>150</b>
	CC-21-7	1	45	35	23	95	120	135	155	180	
	CC-21B	5	45	35	23	95	120	135	155	180	
	CC-21C	25	45	35	23	95	120	135	155	180	
	<b>Monitor (Absorptive)</b>										
	FG-O-609-2	1	45	36	18						
	GNG-609-5PL	5	45	36	18						
	GNG-609-25PL	25	45	36	18						
*VF-22SB	<b>Filter</b>										
	CF-612-2PLO	2	60	60	60						
	CF-612-5PLO	5	60	60	60						
	CF-612-10PLO	10	60	60	60						
	CF-612-25PLO	25	60	60	60						
	<b>Coalescer Separator or Air/Gas Separator</b>					<b>psi</b>	<b>25</b>	<b>50</b>	<b>75</b>	<b>100</b>	<b>150</b>
	CC-22-7	1	60	50	30	143	180	203	233	270	
	CC-22B	5	60	50	30	143	180	203	233	270	
	CC-22C	25	60	50	30	143	180	203	233	270	
	<b>Monitor (Absorptive)</b>										
FG-O-612-2	0.5	60	50	25							
GNG-612-5PL	5	60	50	25							
GNG-612-25PL	25	60	50	25							

\*VESSEL ACCESSORIES AVAILABLE- SEE **VESSEL OPTIONS**

Brought to you by PECOFacet  
a CLARCOR company  
© 2011 PECOFacet  
PECOFacet has a policy of continuous  
product research and development  
and reserves the right to change design  
and specifications without notice.