



## Advantages

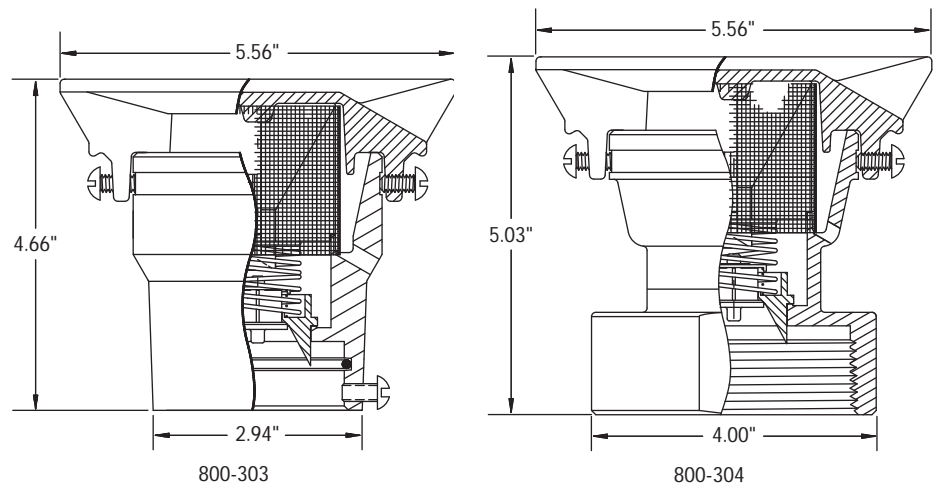
- Two model types available, NPT/BSPT threads or O-ring with locking screw.
- NFPA 30.

## Materials

- Body: aluminum.
- Poppet: acetal.
- Spring: stainless steel.
- Screws: zinc plated steel.
- Screen: brass.

## 802 Pressure Vacuum Vents

EBW pressure vacuum vents are used on underground and aboveground storage tank vent pipes to discharge vapors upward into the atmosphere. The top casting is dome-shaped to quickly drain off moisture including rain, snow and ice. Body and cover are cast aluminum. 2" and 3" models have vent rates of 8000 cubic feet per hour, and produce 8.0 ounces of pressure and 0.5 ounces of vacuum.



Model	Size		Installation	Weight	
	In.	mm		Lbs.	Kg
802-303-01*	2.00	51.00	NPT threaded	1.88	0.85
802-303-02*	2.00	51.00	O-ring seal	1.84	0.83
802-303-12*	2.00	51.00	O-ring seal	1.88	0.85
802-303-21*	2.00	51.00	BSPT threaded	1.88	0.85
802-304-05*	3.00	76.00	NPT threaded	2.44	1.11
802-304-06*	3.00	76.00	O-ring seal	2.40	1.08

\*UL file # MH 15882.