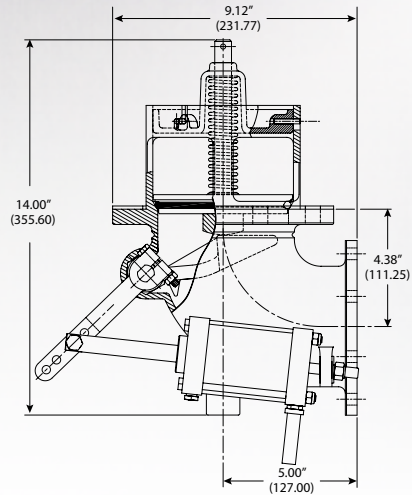
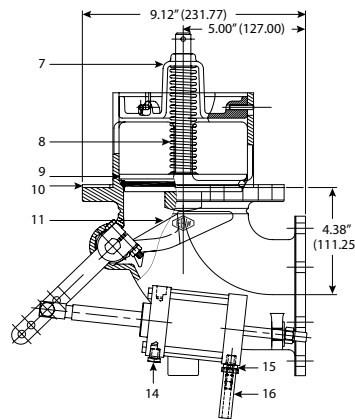
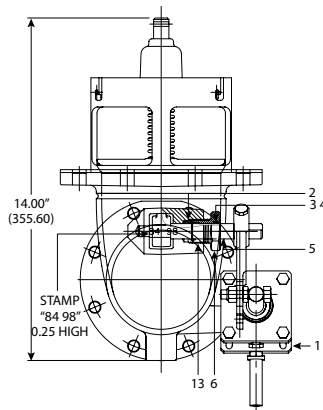


Air Assisted 90 Degree Emergency Valve (Flanged) & Parts List



Model Unit	880-433-01
Weight (Pounds/Kilograms)	13.0/5.9



#	Part Name	Part Number
1	Air Cylinder	880-350-02
2	4" Flanged Emergency Valve Body	880-428-01
3	3/16" SYN PTFE Packing	1135801
4	O-ring FLC #2-114	1103920
5	Spirol Retaining Ring	1109008
6	Cam Shaft	880-241-01
7	Stuffing Box Nut	880-242-01
8	Emergency Valve Retainer Assembly	880-264-01

#	Part Name	Part Number
9	Poppet Spring	1135701
10	Poppet Assembly	880-263-01
11	Emergency Valve Sump Gasket	1138801
13	Cam Lever Assembly	880-265-01
14	Fusible Metal Pipe Plug, 1/8-27" NPT	1152601
15	Male Push-on Hose Fitting	1149401
16	Rubber Hose - Push-on Fitting	880-159-01

Part Number	Description
880-433-01	4" Standard Flanged Outlet Seal with External Air Cylinder