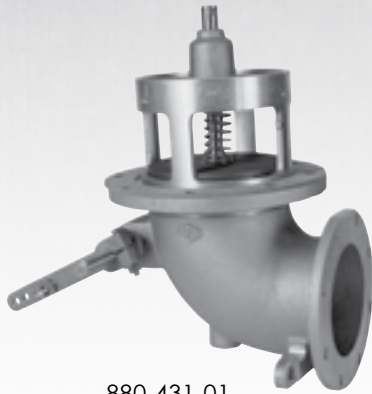
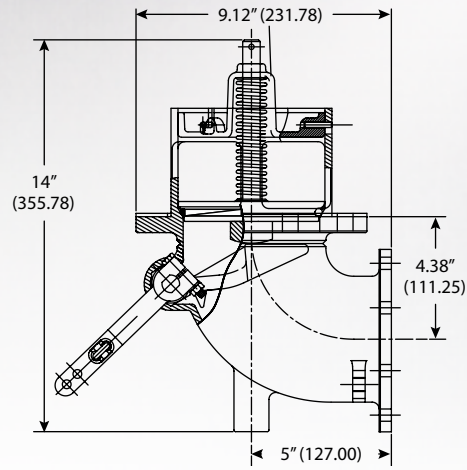


# Mechanically Operated 90 Degree Emergency Valve (Flanged)

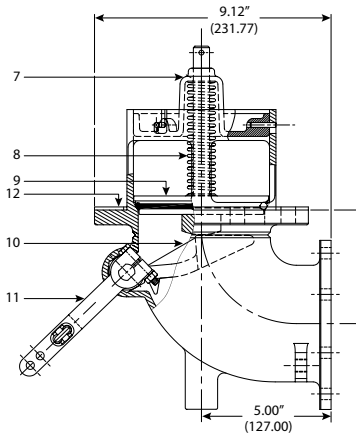
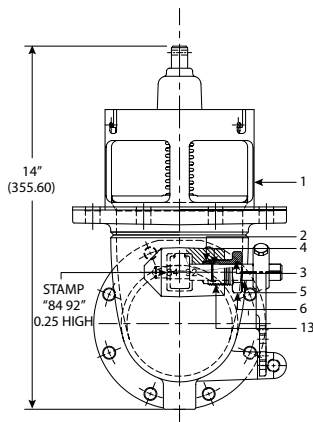


880-431-01



Model Unit	880-431-01
Weight (Pounds/Kilograms)	11.0/4.99

# Mechanically Operated 90 Degree Emergency Valve (Flanged) Parts List



#	Part Name	Part Number
1	Emergency Valve Flanged 4" Body	880-429-01
2	3/16" SYN PTFE Packing	1135801
3	O-ring FLC #2-114	1103920
4	Spirol Retaining Ring	1109008
5	Cam Shaft	880-241-01
6	Stuffing Box Nut	880-242-01
7	Emergency Valve Retainer Assembly	880-264-01

#	Part Name	Part Number
8	Poppet Spring	1135701
9	Poppet Assembly	880-263-01
10	Cam	880-233-01
11	Cam Lever Assembly	880-265-01
12	Emergency Valve Sump Gasket	1138801

Part Number	Description
880-431-01	4" Standard Flanged Outlet Seal