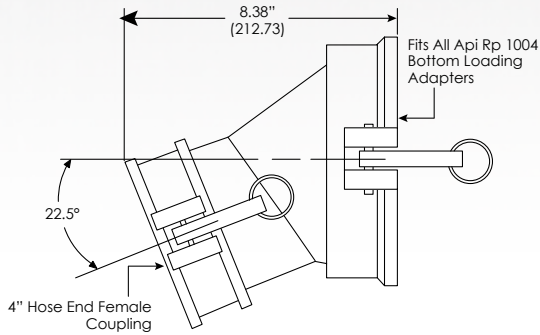


Female Gravity Drop Adapter

Let gravity do all the work with these high strength, corrosion-resistant adapters. A 22.5 degree angle makes service station drops a breeze with easy hose coupling and fast, unrestricted off-loading. Engineered to mate with API RP 1004 Bottom Loading Adapters, each adapter comes with a heavy-duty attachment chain and uses a large, resilient gasket that guarantees minimum product loss. The lightweight adapters are available in 3" male NPT or male cam and groove; 4" male NPT, male cam and groove or female cam and groove.



880-330-01

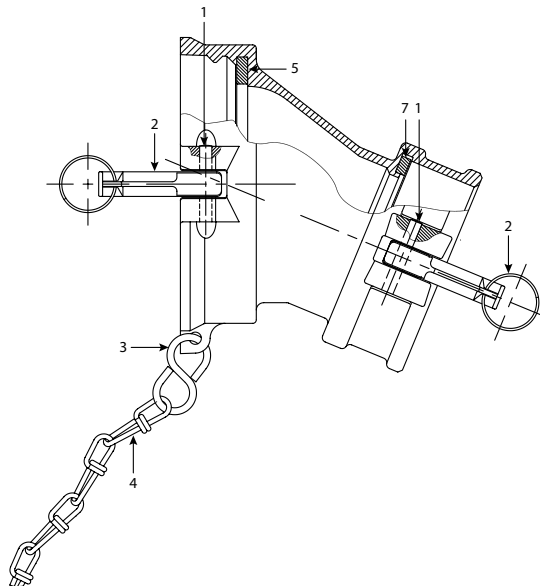


Highlights

- Heat-treated, anodized alloy body.
- Buna-N gaskets.
- Forged bronze cams and stainless steel pins.
- Meets API RP 1004 specifications.

Model Unit	880-330-01
Size (Inches/Millimeters)	4.00/101.6
Weight (Pounds/Kilograms)	6.06/2.75

Female Gravity Drop Adapter Parts List



Part Number	Description
880-330-01	Female Gravity Drop Adapter
880-206-01	Gasket - API End
774-202-04	Gasket - Hose End

#	Part Name	Part Number
1	Groove Pin	11125-07
2	Cam Arm & Ring Assembly	774-116-03
3	S-Hook	11110-01
4	Double Loop Chain	880-115-02
5	Gasket	880-206-01
7	Gasket	774-202-04