

## Device Interface Bulletin

### Connecting a T5 Series FMS to a Gilbarco G-Site Controller

#### Overview

This document explains how to connect a T5 Series Fuel Management System to a Gilbarco G-Site Controller for the purpose of collecting dispensing data. The data is collected by the T5 Series Fuel Management System, consolidated, and used to produce inventory reconciliation reports.

#### Applicable Models

- TS-550/5000
- TS-550 evo
- TS-EMS

The T5 Series Fuel Management System must contain the following equipment to facilitate the collecting of dispensing data.

- TS-DIMIB-Internal dispenser interface module
- TS-TRAC-Tank inventory reconciliation and autocalibration software
- TSP-GSDCBL-Gilbarco GSite cable kit, which contains:

(1) 600-0205 Gilbarco G-SITE Cable

(1) 601-1002 RJ45 to DB9 Adapter

(1) 601-1005 Passport Serial Adapter

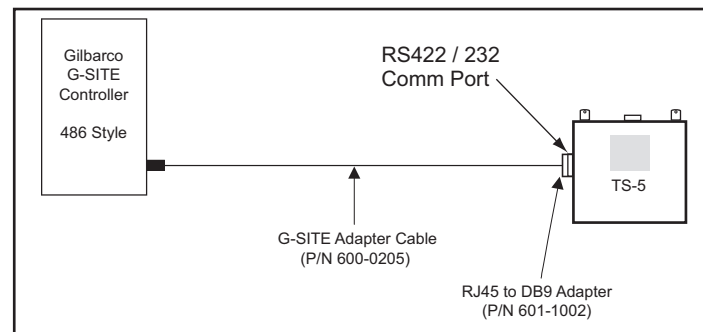
#### G-Site

**Note:** Verify that the G-SITE will support the EMC tank monitoring option. If the G-SITE does not support this option, a software revision will be required from an authorized Gilbarco distributor.

Locate the G-SITE controller EMC tank monitor port. Connect the TS-5 series RS422/232 communication port to the G-SITE using the Gilbarco G-Site Dispenser Interface Cable (p/n 600-0205) and the RJ45 adapters (p/n 601-1001 and p/n 601-1002).

If the G-SITE is a 486 style controller, adapter p/n 601-1001 will not be needed (Figure 1).

Note: Some installations may require a longer cable than p/n 600-0205. If so, a standard CAT5 cable can be used.



**Figure 1: Connecting to Gilbarco 486 G-SITE**

**Note:** If the G-Site is using the C2 Style controller contact FFS Technical Support for the correct parts and instructions. See DIMIB Installation and Programming Manual 000-2048 for more information.