

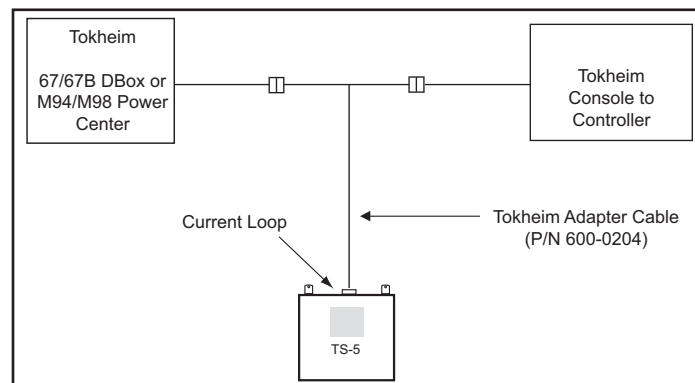
## Connecting a T5 Series FMS to a Tokheim 67/67B or M94/M98 Power Center

### Overview

This document explains how to connect a T5 Series Fuel Management System to a Tokheim Dispenser Controller for the purpose of collecting dispensing data. The data is collected by the T5 Series Fuel Management System, consolidated, and used to produce inventory reconciliation reports.

The T5 Series Fuel Management System must contain the following equipment to facilitate the collecting of dispensing data.

- TS-DIMIB-Internal dispenser interface module
- TS-TRAC-Tank inventory reconciliation and autocalibration software
- TSP-TDCBL which contains
  1. Plug the adapter cable (p/n 600-0204) into the TS-5 series RS422/232 communication port.
  2. Locate the round black connectors on the existing console to D-Box cable.
  3. Disconnect the existing console/controller cable from the Tokheim M98/M94 Power Center, the 67 D-Box, or the 67B D-Box.
  4. Attach the Tokheim Dispenser Interface Cable (p/n 600-0204) to the cable ends from the console/controller and from the D-Box/power center (Figure 1).



**Figure 1: Connecting to Tokheim - Typical Installation**

**Note:** See DIMIB Installation and Programming Manual 000-2048 for more information.