

Connecting a T5 Series FMS to a Wayne EC Distribution Box

Overview

This document explains how to connect a T5 Series Fuel Management System to a Wayne EC Distribution box for the purpose of collecting dispensing data. The data is collected by the T5 Series Fuel Management System, consolidated, and used to produce inventory reconciliation reports.

The T5 Series Fuel Management System must contain the following equipment to facilitate the collecting of dispensing data:

- TS-DIMIB-internal dispenser interface module
- TS-TRAC-Tank inventory reconciliation and autocalibration software
- TS-WDCBL-Dresser Wayne Adapter Cable

TSP-WDCBL

Contains

(1) 600-0203 Dresser Wayne Adapter Cable

1. Plug the Wayne Dispenser Interface Cable (p/n 600-0203) into the TS-5 series CURRENT LOOP communication port (Figure 1).

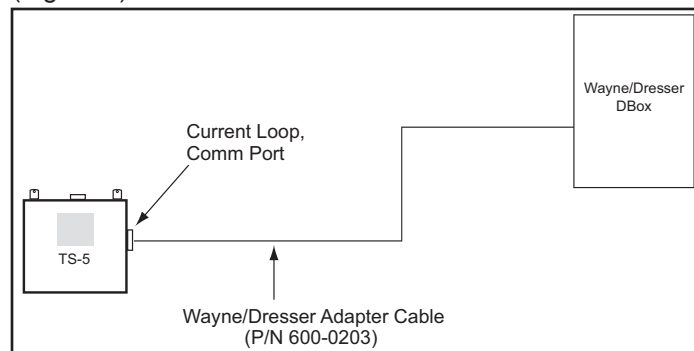


Figure 1: Connecting to Wayne/Dresser - Typical Installation

2. Locate the Wayne/Dresser Distribution box and connect the other end of the adapter cable to an unused pump position in the D-Box. If the D-Box is full, wire the adapter in “series” with an existing pump. The following chart shows the relationship between wire color and function.

Black	Loop 1	-
Red	Loop 1	+
Green	Loop 2	-
White	Loop 2	+

TECHNICAL BULLETIN

March 8, 2013 • TB0313-12

On Wayne/Dresser D-Boxes with pumps wired into one side of the D-Box board, only one loop needs to be connected. For units with both sides of the D-Box board wired, Loop 1 and Loop 2 must be connected (Figure 2).

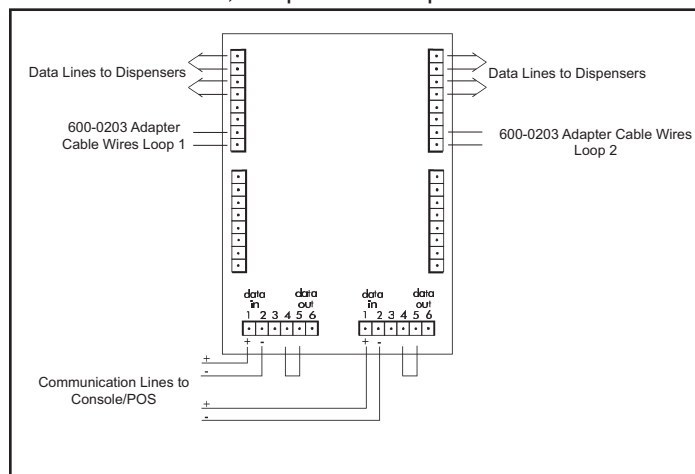


Figure 2: Wayne/Dresser D-Box Connection Example

Note: See DIMIB Installation and Programming Manual 000-2048 for more information