

# HIGH PRESSURE, ELECTRIC MOTOR-DRIVEN, SELF-PRIMING CENTRIFUGAL PUMPS

Gorman-Rupp self-priming centrifugal pumps are designed for handling clean liquids that do not contain large solids. Models with explosion-proof motors may be used in hazardous environments and/or for handling flammable liquids.

2" NPT port sizes available with single or three-phase motors with horsepower from 3/4 to 2. All models are equipped with Viton® seals with carbon and Ni-resist faces and are capable of handling liquids with temperatures to 160° F.



Model: 02C3-X1.5 1P

## FEATURES

- Cast iron construction
- Viton® seals with carbon/Ni-resist faces
- 2" NPT port sizes
- Self-priming to 20 ft. (6,1 m) lift
- Maximum operating pressure to 36 psi (2,5 bar)
- Maximum temperature 160° F (71° C)
- Solids-handling up to 3/8" (9 mm) diameter
- 3/4 to 2 hp single and three-phase 3450 rpm motors

## GENERAL INFORMATION

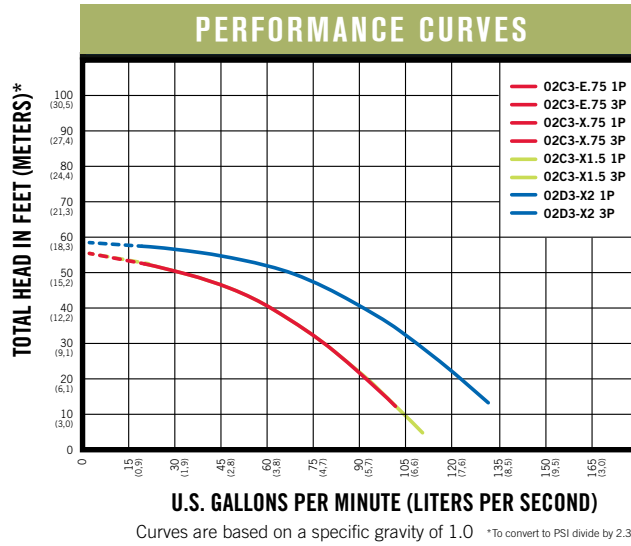
Model	Ship Wt. (Approx.)	Driver Type (HP)	Max. Solids	Suc. x Dis. (NPT)	Basic Construction	Seal Type & Elastomer/Faces	VAC 60 Hz	Phase	Amps	Motor Enclosure (RPM)
02C3-E.75 1P	82 lbs.	Electric Motor (3/4)	11/32" (8 mm)	2" x 2"	Cast Iron	Viton®* Carbon/Ni-resist	115/230	1	9.8/4.9	ODP (3450)
02C3-E.75 3P	82 lbs.	Electric Motor (3/4)	11/32" (8 mm)	2" x 2"	Cast Iron	Viton®* Carbon/Ni-resist	230/460	3	3.2/1.6	ODP (3450)
02C3-X.75 1P	95 lbs.	Electric Motor (3/4)	11/32" (8 mm)	2" x 2"	Cast Iron	Viton®* Carbon/Ni-resist	115/230	1	11.0/5.5	X-Proof (3450)
02C3-X.75 3P	95 lbs.	Electric Motor (3/4)	11/32" (8 mm)	2" x 2"	Cast Iron	Viton®* Carbon/Ni-resist	230/460	3	3.2/1.6	X-Proof (3450)
02C3-X1.5 1P	99 lbs.	Electric Motor (1-1/2)	11/32" (8 mm)	2" x 2"	Cast Iron	Viton®* Carbon/Ni-resist	115/230	1	15.4/7.7	X-Proof (3450)
02C3-X1.5 3P	99 lbs.	Electric Motor (1-1/2)	11/32" (8 mm)	2" x 2"	Cast Iron	Viton®* Carbon/Ni-resist	230/460	3	4.6/2.3	X-Proof (3450)
02D3-X2 1P	101 lbs.	Electric Motor (2)	3/8" (9 mm)	2" x 2"	Cast Iron	Viton®* Carbon/Ni-resist	115/230	1	20.0/10.0	X-Proof (3450)
02D3-X2 3P	101 lbs.	Electric Motor (2)	3/8" (9 mm)	2" x 2"	Cast Iron	Viton®* Carbon/Ni-resist	230/460	3	5.8/2.9	X-Proof (3450)

\*Viton® is a registered trademark of DuPont.

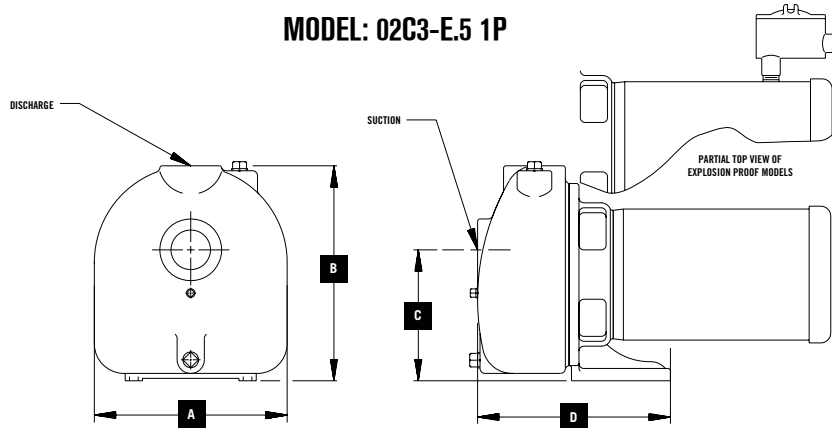
**NOTE: Use X-proof models for applications in Class I, Group D or Class II, Groups E, F & G or F & G environments.**

# HIGH PRESSURE, ELECTRIC MOTOR-DRIVEN, SELF-PRIMING CENTRIFUGAL PUMPS

O SERIES ELECTRIC



## MODEL: 02C3-E.5 1P



INCHES (MILLIMETERS)		PUMP DIMENSIONAL DATA				
Model	A	B	C	D	Suction*	Discharge*
02C3-E.5 1P	9.75 (247,60)	10.88 (276,40)	6.62 (168,11)	9.80 (249,20)	2.00	2.00
02C3-E.75 3P	9.75 (247,60)	10.88 (276,40)	6.62 (168,11)	9.80 (249,20)	2.00	2.00
02C3-X.75 1P	9.75 (247,60)	10.88 (276,40)	6.62 (168,11)	9.80 (249,20)	2.00	2.00
02C3-X.75 3P	9.75 (247,60)	10.88 (276,40)	6.62 (168,11)	9.80 (249,20)	2.00	2.00
02C3-X1.5 1P	9.75 (247,60)	10.88 (276,40)	6.62 (168,11)	9.80 (249,20)	2.00	2.00
02C3-X1.5 3P	9.75 (247,60)	10.88 (276,40)	6.62 (168,11)	9.80 (249,20)	2.00	2.00
02D3-X2 1P	9.75 (247,60)	10.88 (276,40)	6.62 (168,11)	9.80 (249,20)	2.00	2.00
02D3-X2 3P	9.75 (247,60)	10.88 (276,40)	6.62 (168,11)	9.80 (249,20)	2.00	2.00

\*Standard NPT Pipe Threads

