

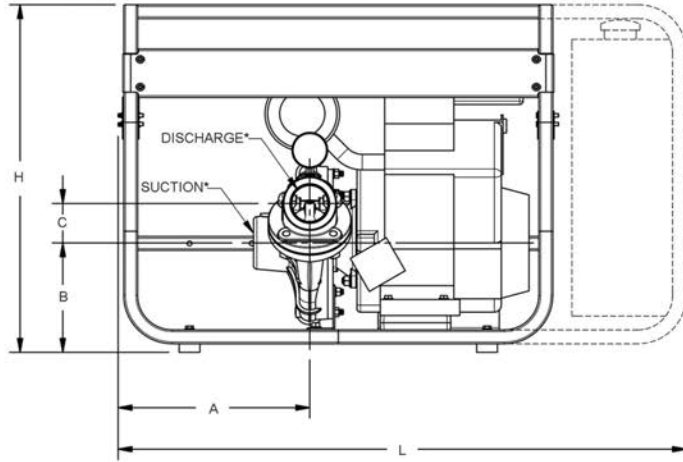
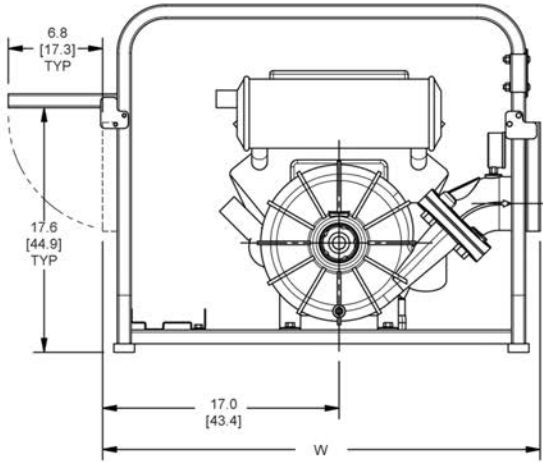
Specification Data

SECTION 60, PAGE 173

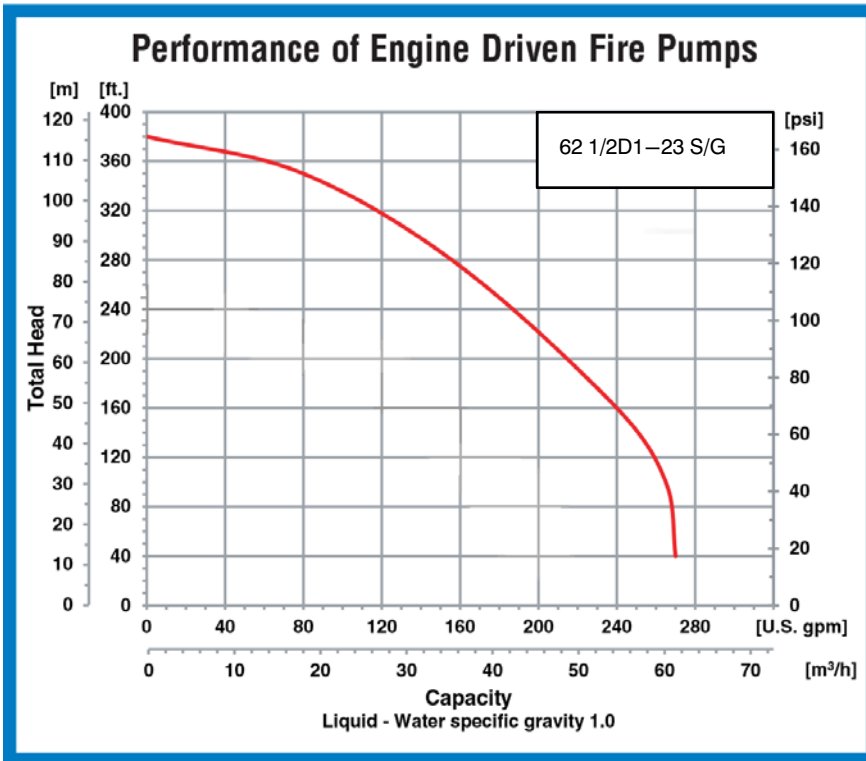
APPROXIMATE
DIMENSIONS and WEIGHTS

SHIPPING WEIGHT:

255 LBS. (41 KG.)
WHEEL KIT ADD 25 LBS. (11.3 KG.);
SHIPPING CRATE (SEPARATE) 27.6 CU. FT. (0,8 CU. M.)



DIMENSIONS						
Model	A	B	C	L	W	H
62 1/2D1-23 S/G	13.8 (35,2)	7.9 (20,1)	2.8 (7,2)	41.0 (104,3)	31.6 (80,3)	25.1 (63,8)



GORMAN-RUPP PUMPS

www.grpumps.com

Specifications Subject to Change Without Notice

Printed in U.S.A.