

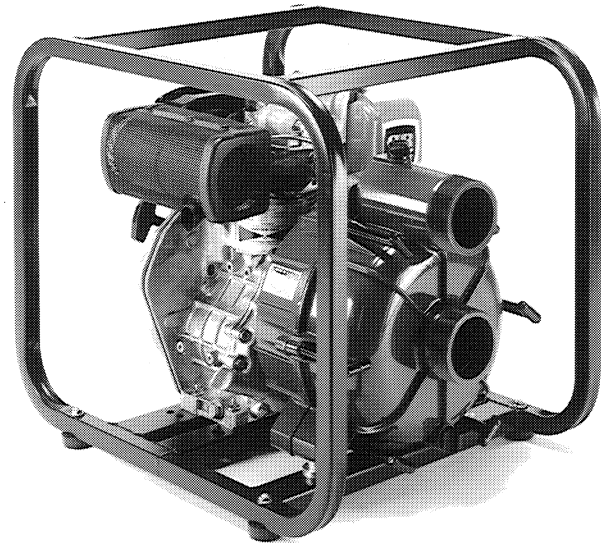
ACEH

Self Priming Centrifugal Pump



Diesel Engine Driven
Model 13G1-L48AE
Size 3" x 3"

Total Head		CAPACITY OF PUMP IN U.S. GALLONS PER MINUTE (GPM) AT CONTINUOUS PERFORMANCE				
P.S.I.	Feet					
40.5	93	50	50	50	50	50
39	90	60	60	60	60	60
34.5	80	92	96	96	96	96
29.2	70	118	134	134	134	134
25	60	142	168	168	168	168
21.7	50	157	189	200	200	200
17.2	40	165	205	225	233	233
13	30	164	217	239	257	263
8.5	20	164	221	250	269	292
Suction lift		25'	20'	15'	10'	5'



PUMP SPECIFICATIONS

Size: 3" x 3" (76 mm x 76 mm) NPT - Male.
Removable Pump Casing: Epoxy Coated Cast Aluminum. Maximum Operating Pressure 70 psi (4,92 kg/cm²).
Two Vane, Open Type Impeller: Ductile Iron. Handles 1-3/16"(30 mm) Diameter Spherical Solids.
Shaft: Alloy Steel.
Volute Scroll: Gray Iron.
Seal: Type 37, Mechanical Self-Lubricated. Rotating and Stationary Face is Siliconized Graphite. Fluorocarbon Elastomers (DuPont Viton® or Equivalent). Maximum Temperature of Liquid Pumped, 160°F (71°C).
Flap Valve: EPDM Rubber; Reinforced by Steel.
Wetted Internal Hardware: Stainless Steel.
External Hardware: Standard Plated Steel.
O-Rings: EPDM Rubber.
Fill/Drain Plugs: Plastic.
Standard Equipment: Roll Cage with Rubber Feet. Strainer.
Optional Equipment: Wheel Truck Assembly with two 2.75" x 10" (69 mm x 254 mm) Semi-Pneumatic Tires.



WARNING!

Do not use in explosive atmosphere or for pumping volatile flammable liquids.

ENGINE SPECIFICATIONS

Model: Yanmar L48AE-DP.
Type: Four Cycle, Air Cooled, Diesel Engine.
Displacement: 12.9 Cu. In. (211 cc).
Governor: Variable Speed, Engine Mounted.
Air Cleaner: Dry Type.
Fuel Tank: 0.66 U.S. Gallons (2,5 liters).
Operating Time; Full Load: 3.26 Hours.
Starter: Rope Rewind.

Standard Equipment: Muffler: Standard Exhaust Silencer with Guard. 90° Exhaust Deflector.

YANMAR PUBLISHED PERFORMANCE
Maximum Continuous B.H.P. 4.2 @ 3600 RPM



THE GORMAN-RUPP COMPANY • MANSFIELD, OHIO

GORMAN-RUPP OF CANADA LIMITED • ST. THOMAS, ONTARIO, CANADA

Specifications Subject to Change Without Notice

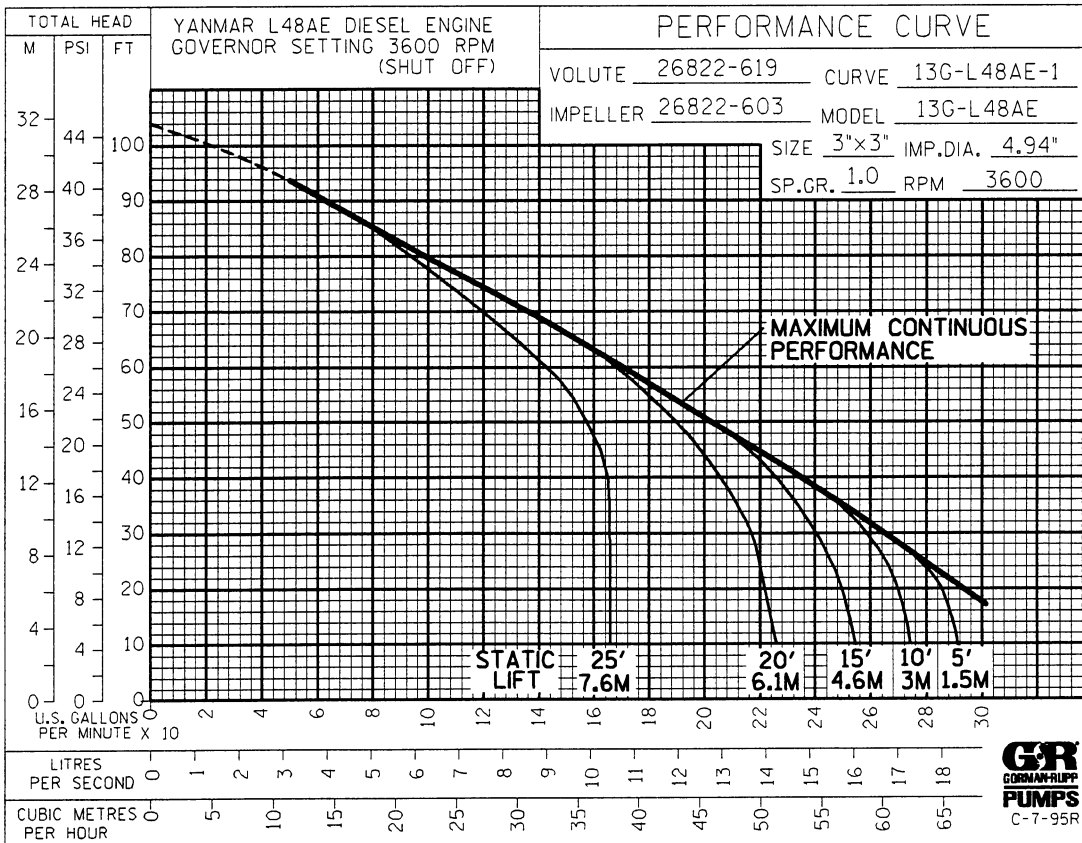
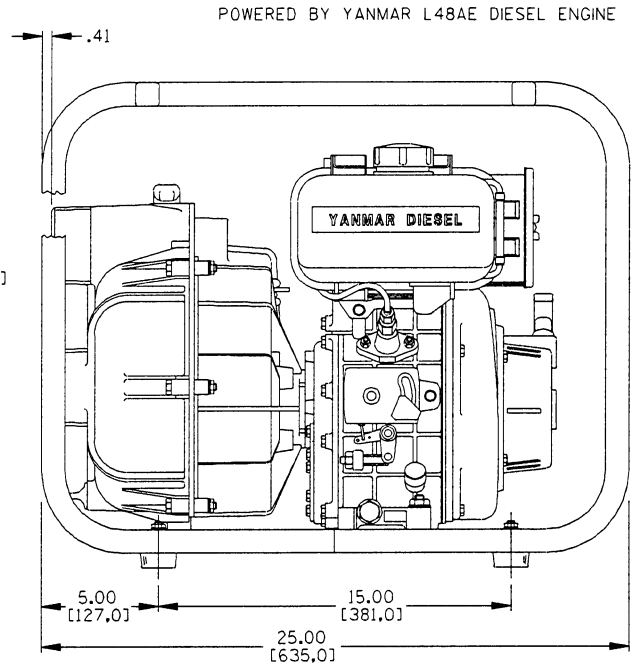
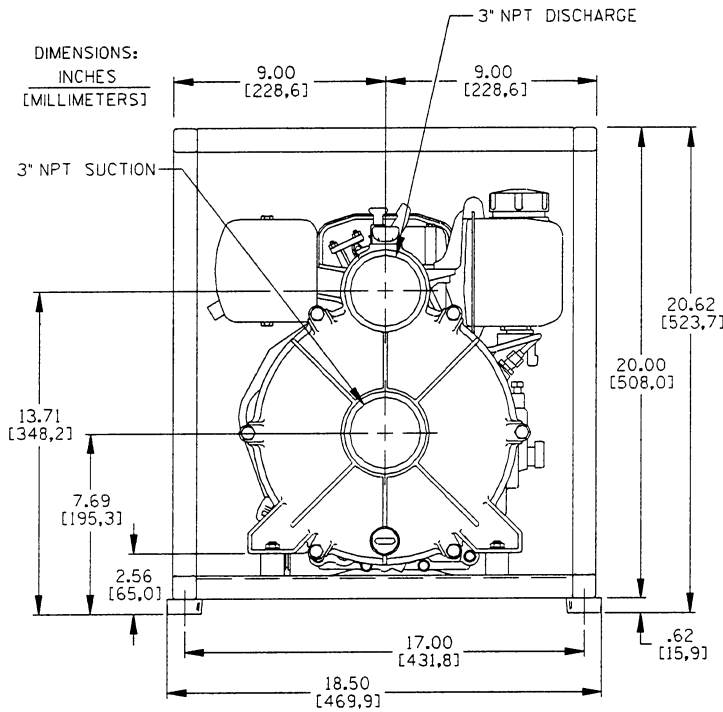
Printed in U.S.A.

Specification Data

SECTION 45, PAGE 546

**OVERALL DIMENSIONS
and
APPROXIMATE WEIGHTS**

NET WEIGHT: 108 LBS. [49 KG.]
SHIPPING WEIGHT: 118 LBS. [54 KG.]
EXPORT CRATE SIZE: 5.6 CU. FT. [0,16 CU. M.]



THE GORMAN-RUPP COMPANY • MANSFIELD, OHIO

GORMAN-RUPP OF CANADA LIMITED • ST. THOMAS, ONTARIO, CANADA

Specifications Subject to Change Without Notice

Printed in U.S.A.