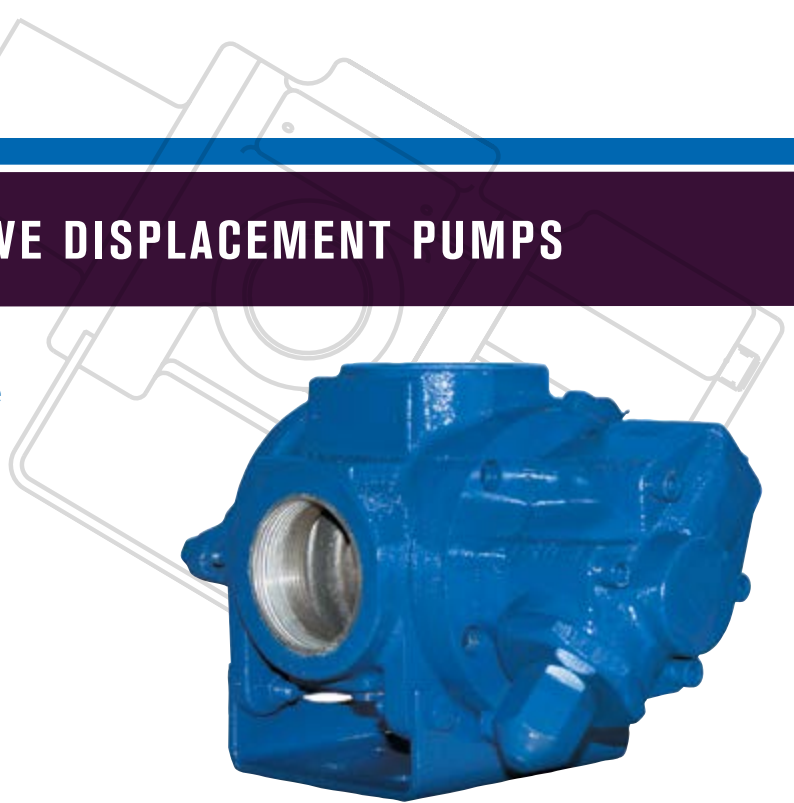


INTERNAL GEAR TYPE, POSITIVE DISPLACEMENT PUMPS

Internal gear pumps are high quality units, capable of 15 ft. (5 m) of lift and offer smooth, consistent flow. The GMC model features a type 21 seal for pressures up to 200 psi and the GMS model has a type 21 seal for pressures up to 150 psi.

These cast iron gear pumps are reliable, cost effective and low maintenance. For use with non-flammable liquids compatible with pump component materials.



Model: GMS1DE3/40C

FEATURES

- Self-priming
- Accurate alignment on close-coupled C-flange GMC pumps
- Smooth, non-pulsating flow
- Delivers up to 12 gpm (0.8 lps)
- Cast iron construction with Viton® seal, carbon bushing and high strength gears
- Bronze thrust washer in compact GMC
- GMS pump provides adjustable port positions
- Adjustable relief valve set at 75 psi (5,2 bar)
- Maximum viscosity of 1500 SSU
- GMC maximum pressure of 200 psi (13,8 bar)
- GMS maximum pressure of 150 psi (10,3 bar)
- Maximum temperature 300° F (149° C)

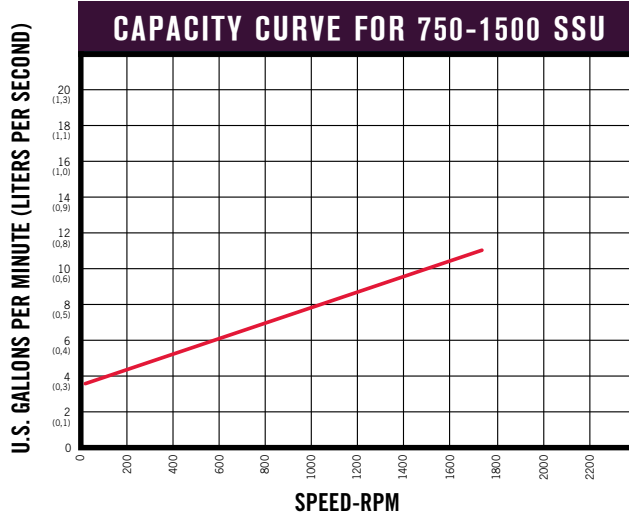
GENERAL INFORMATION

Model	Ship Wt. (Approx.)	Driver Type (HP)	Suc. x Dis. (NPT)	Basic Construction	Seal Type & Elastomer/Faces
GMS1DE3/40C70A	19 lbs.	User Supplied	1" x 1"	Cast Iron	Viton® Carbon/Ceramic
GMC1DE3/40C	26 lbs.	User Supplied	1" x 1"	Cast Iron	Viton® Carbon/Ceramic

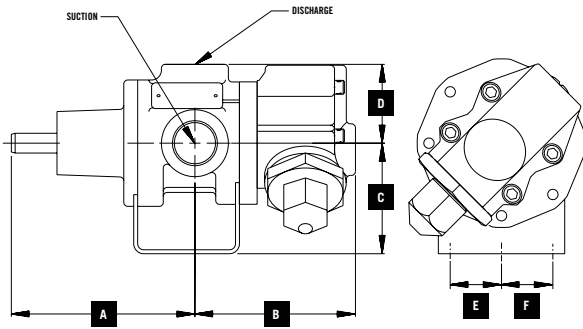
*Viton® is a registered trademark of DuPont.

INTERNAL GEAR TYPE, POSITIVE DISPLACEMENT PUMPS

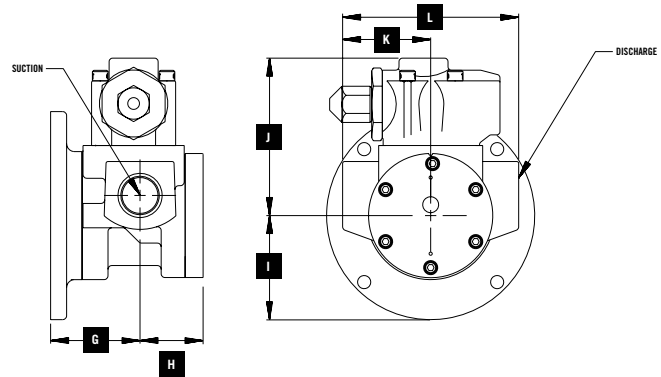
G SERIES



MODEL: GMS1DE3/40C



MODEL: GMC1DE3/40C



INCHES (MILLIMETERS)		PUMP DIMENSIONAL DATA														
Model	A	B	C	D	E	F	G	H	I	J	K	L	M (Diameter)	Suction*	Discharge*	
GMS1DE3/40C70A	5.8 (147,3)	5.0 (127,0)	3.5 (88,9)	2.5 (63,5)	1.6 (40,6)	1.6 (40,6)	N/A	N/A	N/A	N/A	N/A	N/A	0.62 (15,7)	1.00	1.00	
GMC1DE3/40C	N/A	N/A	N/A	N/A	N/A	N/A	2.8 (71,1)	2.7 (68,6)	3.3 (83,8)	5.2 (132,1)	2.5 (63,5)	5.0 (127,0)	N/A	1.00	1.00	

*Standard NPT Pipe Threads

