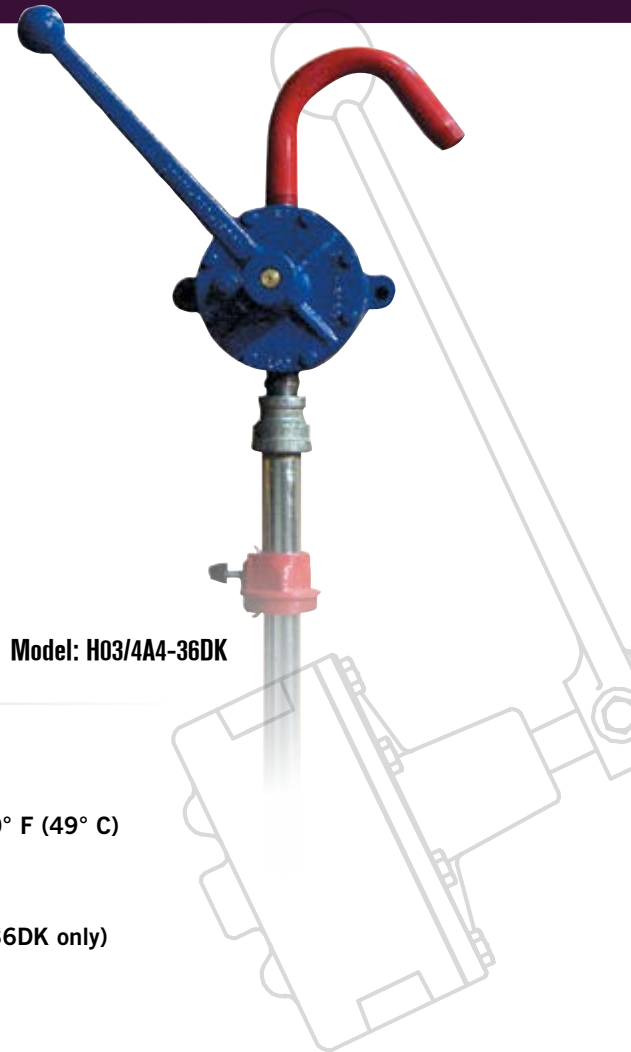


HAND OSCILLATING PUMPS

Gorman-Rupp's HO Series hand pumps are high quality oscillating force pumps that are compact, self-priming and provide easy transfer of light to medium, mild-corrosive liquids such as gasoline, lube oil and diesel fuel. These pumps can also be used on critical military and marine applications where dependable, maintenance-free service is of vital importance.

These pumps are easy to install, easy to operate and require minimum maintenance.



Model: H03/4A4-36DK

FEATURES

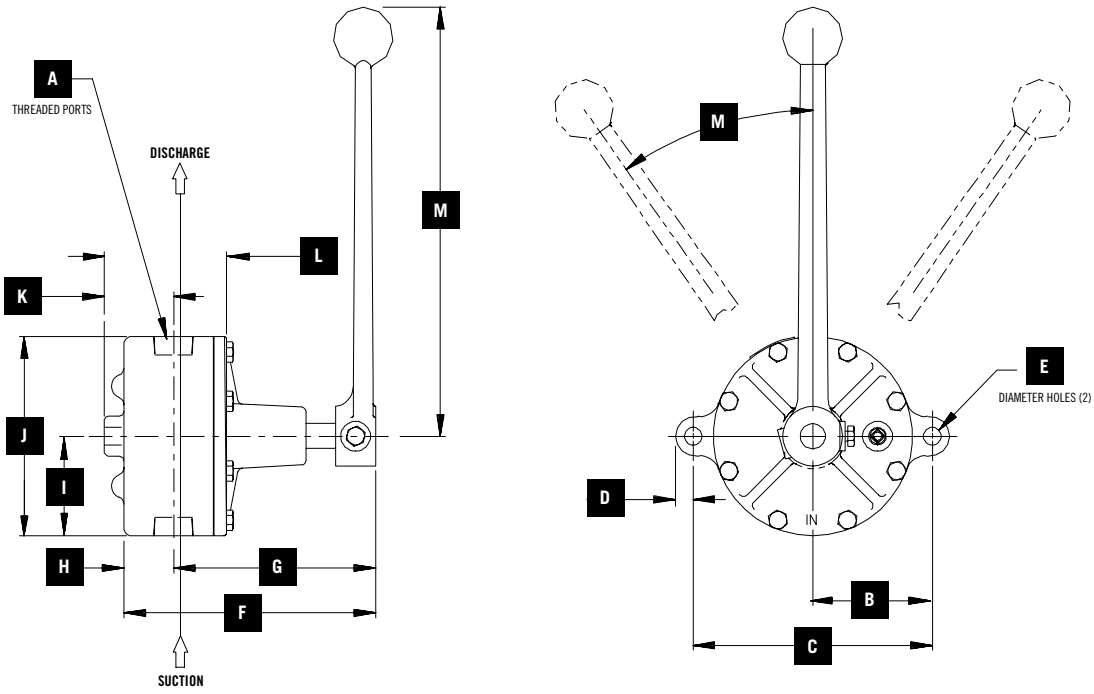
- Cast iron construction with Buna-N shaft seal and bronze valves and fiber gaskets
- Delivers 6 gpm (0,4 lps), 0.10 gallons per stroke
- Suction and discharge kit included (H03/4A4-36DK only)
- Compact
- Maximum liquid temperature 120° F (49° C)
- Maximum operating pressure to 50 psi (3,4 bar)
- 2" drum kit standard (H03/4A4-36DK only)

GENERAL INFORMATION

Model	Ship Wt. (Approx.)	Suc. x Dis. (NPT)	Basic Construction	Seal Type & Elastomer/Faces
H03/4A4-36DK	13 lbs.	3/4" x 3/4"	Cast Iron	Buna-N Shaft Seal
H03/4A4-H	13 lbs.	3/4" x 3/4"	Cast Iron	Buna-N Shaft Seal

HAND OSCILLATING PUMPS

HO SERIES



INCHES (MILLIMETERS)		PUMP DIMENSIONAL DATA												
Model	A	B	C	D	E	F	G	H	I	J	K	L	M	N
HO Series	0.75 (19,1)	3.00 (76,2)	6.00 (152,4)	0.76 (19,3)	0.44 (11,2)	6.32 (160,5)	5.07 (128,8)	1.25 (31,8)	2.50 (63,5)	5.00 (127,0)	1.75 (44,5)	2.75 (69,9)	10.75 (273,1)	35°

*Standard NPT Pipe Threads