

Operating Instructions

Series 7000 Spring Driven Hose Reels

For Diesel Exhaust Fluid (DEF)

UR7800 OLB	UR7830 OLB70	UR7900 OLB
UR7800 OLB70	UR7850 OLB	UR7915 OLB
UR7830 OLB	UR7850 OLB70	UR7925 OLB



Dimensions

	A	20 1/4"
	B	19"
	C	7 7/8"
	D	3 7/8"
	E	6 3/4"

Four 1/2" diameter mounting holes

SAFETY

1. Do not use reel at higher pressures or temperatures than listed on the back of this bulletin.
2. Remove all spring tension before beginning disassembly process.

INSTALLATION:

A flexible hose connection must be used between the hose reel inlet and the source of supply to prevent possible misalignment and binding.

MOUNTING:

The hose reel is equipped with a universal mounting bracket so that it can be mounted on the floor, wall or ceiling; whichever place is convenient. The hose guide arm can be moved to the position desired by removing the screws fastening the guide bracket to the reel base. Shift the guide arm bracket so the hose comes off the reel at the desired position and replace the screws. A 180° wall mount bracket or 340° pivot base are also available, consult manufacturer

LUBRICATION:

Hose reel spring and bearings are factory lubricated and require no further lubrication.

REPLACING HOSE:

1. Wind spool flange clockwise-facing swivel-until spring is tight.
2. Back off three turns and latch.
3. Insert hose through roller guide.
4. Connect hose fitting to swivel joint and secure hose with clamps.

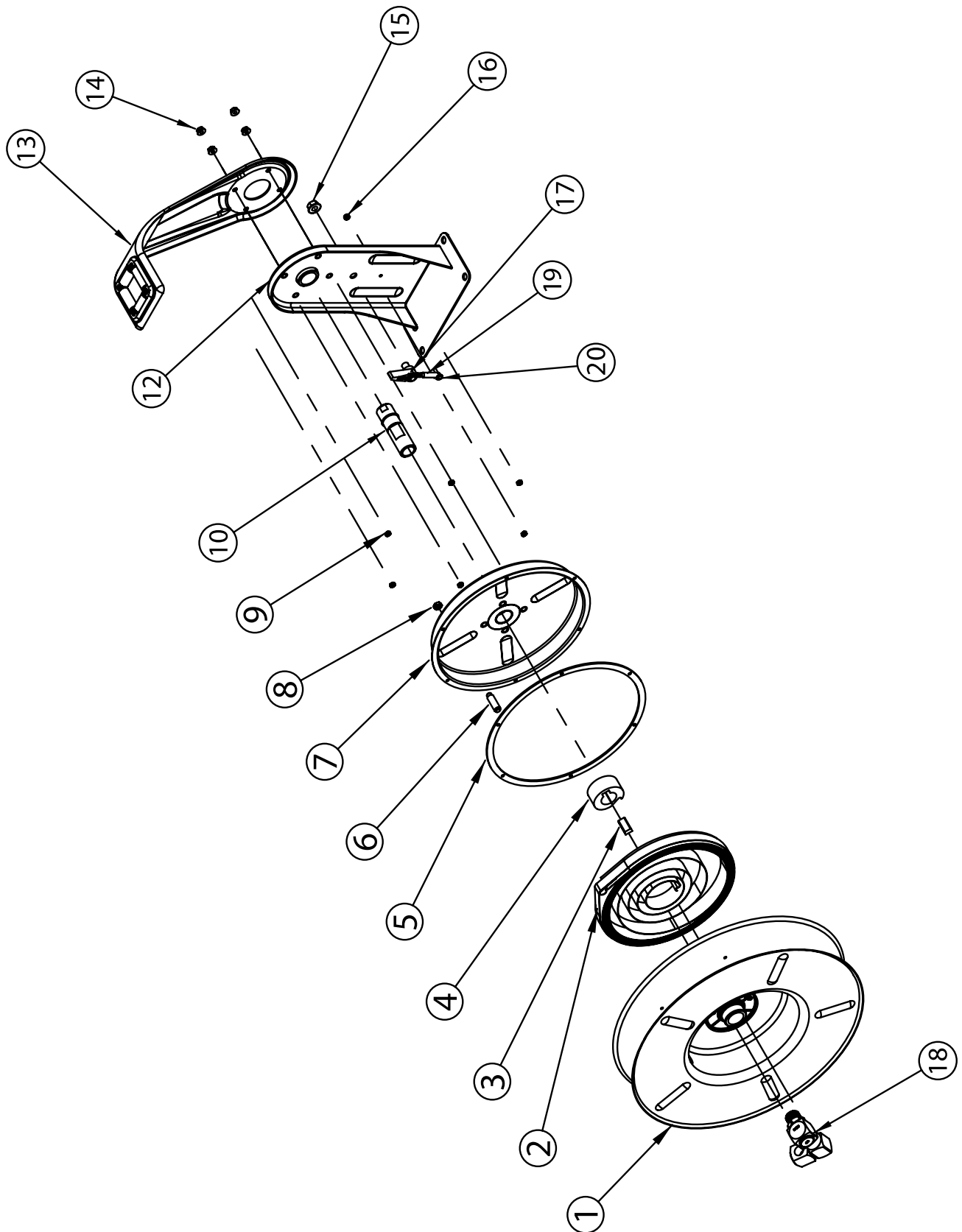
ADJUSTMENTS:

To adjust spring tension, add or remove wraps of hose from the spool, one wrap at a time until desired tension is obtained.

REPAIRS:

Extensive repairs should be performed only by an authorized serviceman or factory to avoid damage which may void your warranty. Remove all spring tension before beginning disassembly process.

Form# 1215-910 Rev: 7/2012



Series 7000 Spring Driven Hose Reels

Item #	Description	# Req.	UR7800 OLB	UR7800 OLB70	UR7830 OLB	UR7830 OLB70	UR7850 OLB
1	Sheave Assembly	1	260011	260011	260011	260011	260011
2	Drive Spring Assembly	1	260037	260037	260037	260037	260037
3	Arbor Key	1	261275	261275	261275	261275	261275
4	Spring Arbor	1	261274	261274	261274	261274	261274
5	Spring Case Gasket	1	260069	260069	260069	260069	260069
6	Spring Case Stud	1	260031	260031	260031	260031	260031
7	Spring Case & Ratchet Ass'y	1	260074	260074	260074	260074	260074
8	3/8-24 Hex Jam Nut	1	S76-106	S76-106	S76-106	S76-106	S76-106
9	10-32 Hex Nut	6	300011	300011	300011	300011	300011
10	Main Shaft	1	261045	262501	261045	262501	261045
12	Base Assembly	1	600016	600016	600016	600016	600016
13	Guide Arm Assembly	1	600017	600017	600017	600017	600017
14	5/16-18 Lock Nut	4	300107	300107	300107	300107	300107
15	1/2-20 Hex Flange Nut	1	S280-8	S280-8	S280-8	S280-8	S280-8
16	10-32 Nyloc Nut	1	S82-15	S82-15	S82-15	S82-15	S82-15
17	Latch Pawl Assembly	1	600018	600018	600018	600018	600018
18	Swivel Assembly	1	600375-2	602441-2	600375-2	602441-2	600375-2
19	Latch Spring	1	260067	260067	260067	260067	260067
20	10-32 Shoulder Screw	1	S393-2	S393-2	S393-2	S393-2	S393-2
	Hose Bumper Assembly	1	A2-HR1004-3	A2-HR1004-3	A2-HR1004-3	A2-HR1004-3	A2-HR1004-3
	Hose Assembly	1	None	None	601107-30	601101-30	601107-50

Item #	Description	# Req.	UR7850 OLB70	UR7900 OLB	UR7915 OLB	UR7925 OLB
1	Sheave Assembly	1	260011	260011	260011	260011
2	Drive Spring Assembly	1	260037	600023	600023	600023
3	Arbor Key	1	261275	261275	261275	261275
4	Spring Arbor	1	261274	261274	261274	261274
5	Spring Case Gasket	1	260069	260069	260069	260069
6	Spring Case Stud	1	260031	260031	260031	260031
7	Spring Case & Ratchet Ass'y	1	260074	260074	260074	260074
8	3/8-24 Hex Jam Nut	1	S76-106	S76-106	S76-106	S76-106
9	10-32 Hex Nut	6	300011	300011	300011	300011
10	Main Shaft	1	262501	262448	262448	262448
12	Base Assembly	1	600016	600016	600016	600016
13	Guide Arm Assembly	1	600017	600017	600017	600017
14	5/16-18 Lock Nut	4	300107	300107	300107	300107
15	1/2-20 Hex Flange Nut	1	S280-8	S280-8	S280-8	S280-8
16	10-32 Nyloc Nut	1	S82-15	S82-15	S82-15	S82-15
17	Latch Pawl Assembly	1	600018	600018	600018	600018
18	Swivel Assembly	1	602441-2	602378-2	602378-2	602378-2
19	Latch Spring	1	260067	260067	260067	260067
20	10-32 Shoulder Screw	1	S393-2	S393-2	S393-2	S393-2
	Hose Bumper Assembly	1	A2-HR1004-3	A3-HR1004-3	A3-HR1004-3	A3-HR1004-3
	Hose Assembly	1	601101-50	None	601092-15	601092-25

