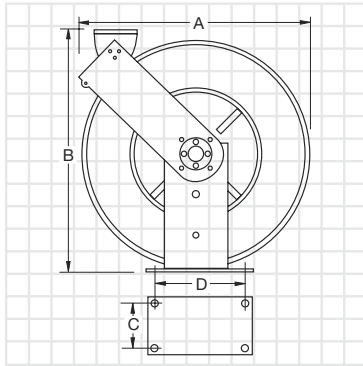


1650 SERIES DOUBLE PEDESTAL ARM HOSE REEL

OPEN TYPE HOSE REELS - 1650 SERIES

Applications: Delivery of compressed air, low and high pressure water, lubricants and grease in vehicle maintenance shops, field service units and lubrication trucks, mining, construction, general industry, agriculture, service stations, etc.



- A: 20 1/2"
- B: 22 1/4"
- C: 5 3/16"
- D: 8 1/2"



Heavy Duty reinforced double pedestal hose reel for air, low and high pressure water, medium pressure oil and high pressure grease. All metal construction, can handle up to 60' of 1/2" hose.

Main features:

- Brass forged shaft compatible with a wide range of fluids ensures corrosion free and leak proof operation.
- Very robust reinforced all steel Heavy Duty construction with double pedestal arm design.
- Special fatigue resistant steel spring for years of durable performance.
- Epoxy powder coated for increased wear resistance.
- Positionable outlet arms for an optimum operation in any mounting position: wall, ceiling, floor or tank.
- No special maintenance required.

Model No.	Hose Length	Hose Inner Diameter	Outlet Thread	Inlet Thread	Hose ° Type	Hose Pressure Rating	Delivery Hose Part No.	Inlet Hose Part No.	Net Weight	Reel w/ out Hose
1650 Series										
Compressed air, Antifreeze, WW Washer, and low pressure Water										
1660	50'	3/8"	3/8" NPT (M)	1/2" NPSM (F)	F	300PSI	819	822	63	1652
1661	60'	3/8"	3/8" NPT (M)	1/2" NPSM (F)	F	300PSI	820	822	68	1652
1663	50'	1/2"	1/2" NPT (M)	1/2" NPSM (F)	F	300PSI	829	822	64	1652
1665	60'	1/2"	1/2" NPT (M)	1/2" NPSM (F)	F	300PSI	830	822	66	1652
Medium Pressure Oil and other compatible fluids										
1672	50'	3/8"	3/8" NPT (M)	1/2" NPSM (F)	G	1500PSI	842	845	69	1652
1673	60'	3/8"	3/8" NPT (M)	1/2" NPSM (F)	G	1500PSI	843	845	66	1652
1674	50'	1/2"	1/2" NPT (M)	1/2" NPSM (F)	G	1500PSI*	854	845	66	1652
1676	60'	1/2"	1/2" NPT (M)	1/2" NPSM (F)	G	1500PSI*	855	845	71	1652
High Pressure Grease										
1680	50'	1/4"	1/4" NPT (M)	3/8" NPSM (F)	H	5000PSI	879 000	883	67	1653
1681	60'	1/4"	1/4" NPT (M)	3/8" NPSM (F)	H	5000PSI	880 000	883	72	1653
1682	50'	3/8"	1/4" NPT (M)	3/8" NPSM (F)	H	4000PSI	892 000	883	67	1653
1683	60'	3/8"	1/4" NPT (M)	3/8" NPSM (F)	H	4000PSI	893 000	883	68	1653

° See page 26 for hose table.

*2000 PSI Medium pressure hose optionally available

1. Models supplied without inlet hose. Maximum working pressure is the minimum working pressure of the individual components used, normally the hose.