



COMBINATION NIPPLES

WELD BEVEL - STEEL & SS 316

FEATURES & APPLICATIONS:

• **General Uses:**

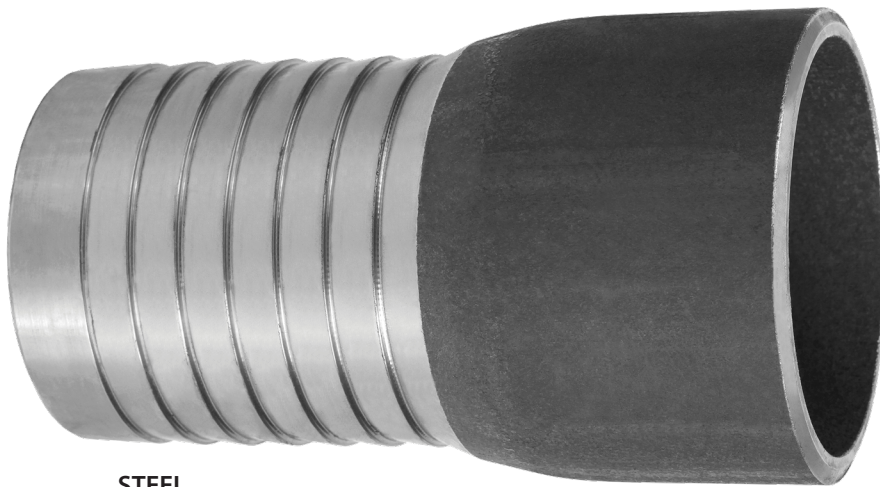
Working pressures may vary with type and clamping system used to install couplings.

Combination Nipples are recommended for low pressure discharge and suction service for compatible liquids. NOT for compressible products such as Air, Nitrogen and Steam.

*All blank end & grooved combination nipples are made using Schedule 40 pipe.

Seal Fast Crimp Combination Nipples are to be used with Seal Fast Ferrules and Crimp Sleeves. They are designed with an Interlock System which allows the Ferrule to be permanently attached to the coupling.

WORKING PRESSURE 200 PSI



STEEL



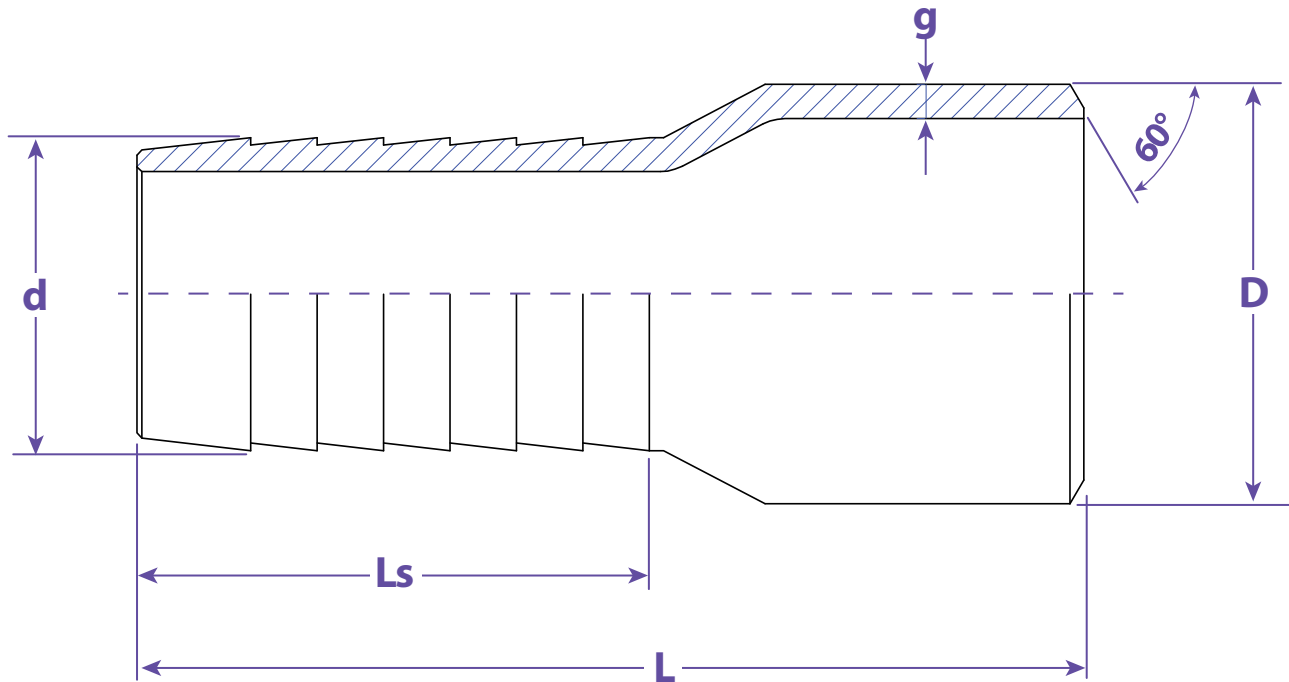
316 SS

STEEL & STAINLESS 316 - 304

SIZE	STEEL	316 SS
1/2"	SF050SB	---
3/4"	SF075SB	SF075BSS6
1"	SF100SB	SF100BSS6
1-1/4"	SF125SB	SF125BSS6
1-1/2"	SF150SB	SF150BSS6
2"	SF200SB	SF200BSS6
2-1/2"	SF250SB	SF250BSS6
3"	SF300SB	SF300BSS6
4"	SF400SB	SF400BSS6
5"	SF500SB	SF500BSS6
6"	SF600SB	SF600BSS6
8"	SF800SB	---
10"	SF1000SB	---
12"	SF1200SB	---



Information contained on this page is for general information purposes only. Seal Fast Inc. assumes no responsibility for errors or omissions for this product.



Dimensions

D	L	Ls	d	g	Part #
0.8543	3.0315	1.5748	0.5354	0.1102	SF050xxx
1.0709	3.0984	1.5748	0.7795	0.1142	SF075xxx
1.3386	3.3071	1.6142	1.0354	0.1339	SF100xxx
1.6811	3.9291	1.8504	1.2992	0.1417	SF125xxx
1.9134	4.1063	2.1260	1.5354	0.1457	SF150xxx
2.3937	4.7165	2.4803	2.0315	0.1535	SF200xxx
2.8740	5.5236	2.8937	2.5315	0.2047	SF250xxx
3.5000	6.0866	3.3858	3.0315	0.2165	SF300xxx
4.5000	7.1850	3.8583	4.0315	0.2362	SF400xxx
5.5630	8.8504	5.4331	5.0315	0.2598	SF500xxx
6.6260	10.9134	6.4567	6.0472	0.2795	SF600xxx
8.6260	12.1260	7.6378	8.0472	0.3228	SF800xxx
10.7480	13.1102	7.6772	10.0787	0.3661	SF1000xxx
12.7165	14.5276	9.2520	12.0866	0.4055	SF1200xxx

TITLE COMBINATION NIPPLES - WELD BEVEL

DISCLAIMER

All drawings and specifications are subject to change without notice. Drawings represent general dimensions of our products. Seal Fast cannot guarantee the dimensions of the part will exactly match those in the drawing. This drawing is the property of Seal Fast Inc. Copying or reproduction of this drawing is expressly prohibited.

MATERIAL

SFxxxSB Carbon Steel Tube
 SFxxxBSS Stainless Steel Tube 304
 SFxxxBSS6 Stainless Steel Tube 316

DRAWING NOT TO SCALE

PART # SF...SB,BSS,BSS6

