



VALVES

**BALL - LOCKING HANDLE 304 SS
1000 WOG/CWP**

FEATURES & APPLICATIONS:

- Standard Port - 1 Piece
- 1000 WOG/CWP
- 304 SS - PTFE Seat
- Locking Handle
- Plumbing or heating projects, low pressure steam, compressed air, HVAC

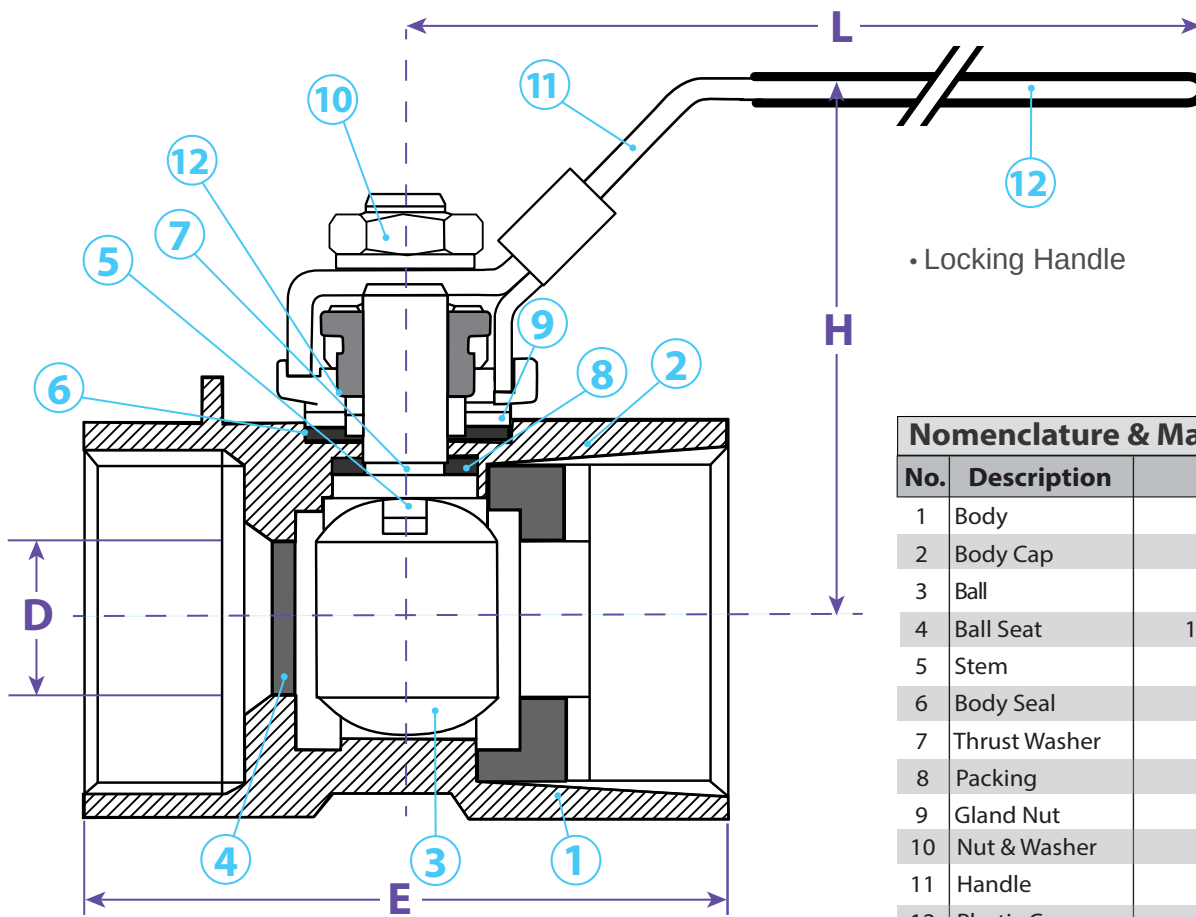


TECHNICAL DATA:

- **WOG** = Rating indicates the maximum non-shock pressure at ambient temperatures at which the valve may be used.
- **CWP** = Cold working pressure

WOG: Water, Oil & Gas: This was an older, generic pressure rating call-out which has been largely replaced by CWP. In this designation, "GAS" refers to any non-flammable, compressible fluid in a gaseous state. It does not imply a product's suitability or third-party approval for use with flammable gases. Similarly, in this designation, "Oil" does not imply a product's third-party approval for use with any petroleum products.

304 SS	
Size	Part #
1/4"	SV 025SS304
3/8"	SV 038SS304
1/2"	SV 050SS304
3/4"	SV 075SS304
1"	SV 100SS304
1-1/4"	SV 125SS304
1-1/2"	SV 150SS304
2"	SV 200SS304
2-1/2"	SV 250SS304
3"	SV 300SS304



• Locking Handle

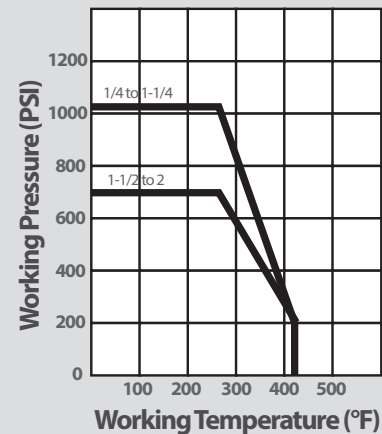
Nomenclature & Material

No.	Description	Material 1 Piece
1	Body	SUS 304
2	Body Cap	SUS 304
3	Ball	SUS 304
4	Ball Seat	15% R-PTFE
5	Stem	SUS 304
6	Body Seal	RTFE
7	Thrust Washer	TEFLON
8	Packing	TEFLON
9	Gland Nut	SUS 304
10	Nut & Washer	SUS 304
11	Handle	SUS 304
12	Plastic Cover	Plastic

Dimensions

Size	E	H	D	L	Part #
1/4"	2.44	2.05	.59	3.94	SV 025SS304
3/8"	2.44	2.05	.59	3.94	SV 038SS304
1/2"	2.44	2.05	.59	3.94	SV 050SS304
3/4"	2.76	2.36	.79	4.72	SV 075SS304
1"	3.73	2.76	.98	5.51	SV 100SS304
1-1/4"	3.54	2.95	1.26	5.51	SV 125SS304
1-1/2"	4.17	3.43	1.50	7.09	SV 150SS304
2"	4.86	3.82	1.93	7.09	SV 200SS304
2-1/2"	5.71	5.12	2.56	8.82	SV 250SS304
3"	6.49	5.83	3.15	8.82	SV 300SS304

Temperature / Pressure Rating



TITLE

BALL VALVE w/Locking Handle - 1000 WOG/CWP

DISCLAIMER

All drawings and specifications are subject to change without notice. Drawings represent general dimensions of our products. Seal Fast Inc. cannot guarantee the dimensions will exactly match those in the drawing. The drawing is the property of Seal Fast Inc. Copying or reproduction of this drawing is expressly prohibited.

MATERIAL

STAINLESS STEEL 304

DRAWING NOT TO SCALE

PART #

SV...SS304