

TOPS[®]
Quality



Filter Head Adapters and Filters

Petroleum Filters and Aluminum Head Adapters for commercial fueling, Transfer Tank Dispensing, Fleet Fueling, Service Stations. Also available are aviation, marina, and other industrial filtering applications.

TOPS[®]

EQUIPMENT AND MANUFACTURING COMPANY

800-433-8831

P.O. Box 57307, SLC, Utah 84157

www.topsequipment.com

Particulate | Water Absorbing | Filter Head Adapters

Filter Head Adapters

3/4" NPT Standard Flow

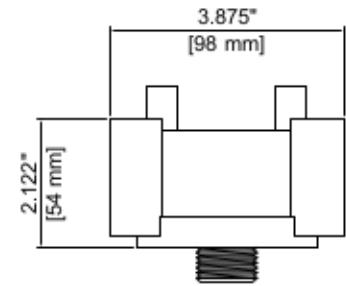
\$11.60



Part No: T-GL34

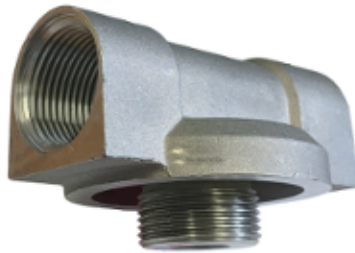
Specifications

- Material: Aluminum
- 3/4" NPT Inlet/Outlet
- Nose Outside Thread: 1"-12 UNF
- Compatible Liquids: Petroleum Products
- Filter Type: Spin-on



1" NPT Standard Flow

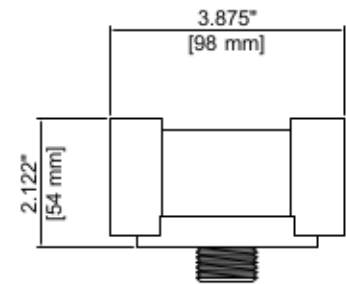
\$15.60



Part No: T-GL1

Specifications

- Material: Aluminum
- 1" NPT Inlet/Outlet
- Nose Outside Thread: 1"-12 UNF
- Compatible Liquids: Petroleum Products
- Filter Type: Spin-on



1" NPT High Flow

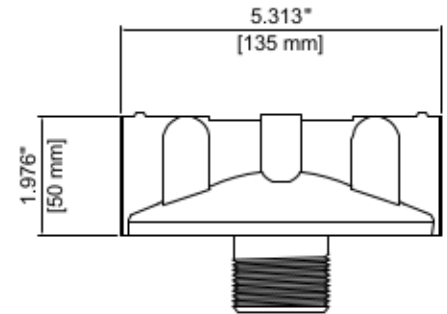
\$19.00



Part No: T-GL2

Specifications

- Material: Aluminum
- 1" NPT Inlet/Outlet
- Nose Outside Thread: 1 1/2"-16 UNF
- Compatible Liquids: Petroleum Products
- Filter Type: Spin-on



Spin on Filters

Particulate Filters

Model	Micron	Flow	PSI	Description	Price
T-1030	10	25 GPM Max.	50 PSI Max.	Commerical Spin-On Filter. Cellulose Resin-Impregnated Media. (1" - 12 UNF Thread)	\$5.03
T-3030	30			Commerical Spin-On Filter. Cellulose Resin-Impregnated Media. (1" - 12 UNF Thread)	\$4.93
T-1080	10	40 GPM Max.		High Volume Commerical Spin-On Filter. Cellulose Resin-Impregnated Media. (1 1/2" - 16 UNF Thread)	\$13.55
T-3080	30			High Volume Commerical Spin-On Filter. Cellulose Resin-Impregnated Media. (1 1/2" - 16 UNF Thread)	\$13.55

Water Absorbing and Particulate Filters

Model	Micron	Flow	PSI	Description	Price
T-3030H	30	25 GPM Max.	50 PSI Max.	Commerical Spin-On Filter. Water Absorbing and Particulate Filtering Media. (1" - 12 UNF Thread)	\$7.12
T-3080H	30	40 GPM Max.		High Volume Commerical Spin-On Filter. Water Absorbing and Particulate Filtering Media. (1 1/2" - 16 UNF Thread)	\$17.92



FOR DIESEL, ULSD, GASOLINE, ETHANOL OR METHANOL BLENDS UP TO 10%