

V20 TECHNICAL DATA SHEET



The GPRO V20 Series features a modular vane pump design suitable for stationary applications fueling large equipment.



20 GPM | **76 L/min** | **115V/230V**
Dual Voltage Configurable

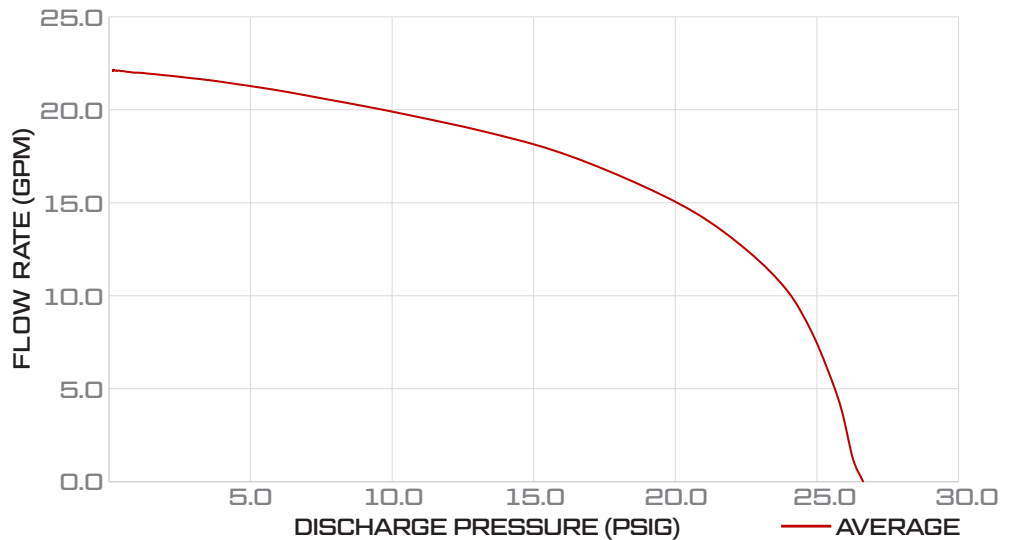
WETTED MATERIALS (ALL MODELS)

Housing & Cover Plates:	Cast Iron & Aluminum
Rotor & Motor Shaft:	Steel
Vane:	Carbon
Check Valve & Strainer Mesh:	PBT / Polyester, 330 micron
Poppet Valve:	Acetal
Seals:	NBR, FKM

SPECS (ALL MODELS)

Max. Flow Rate:	20 GPM 76 L/min
Operating Pressure:	Up to 25 PSI (1.72 bar)
Minimum Dry Vac:	12 in. Hg
At Sea Level 70° F (21.1° C)	Suction Lift: Up to 15 ft. (4.5 m)
	Discharge Lift: 15 ft. (4.5 m)
Warranty:	Five-Year Pump Warranty

PERFORMANCE CURVE (115VAC)

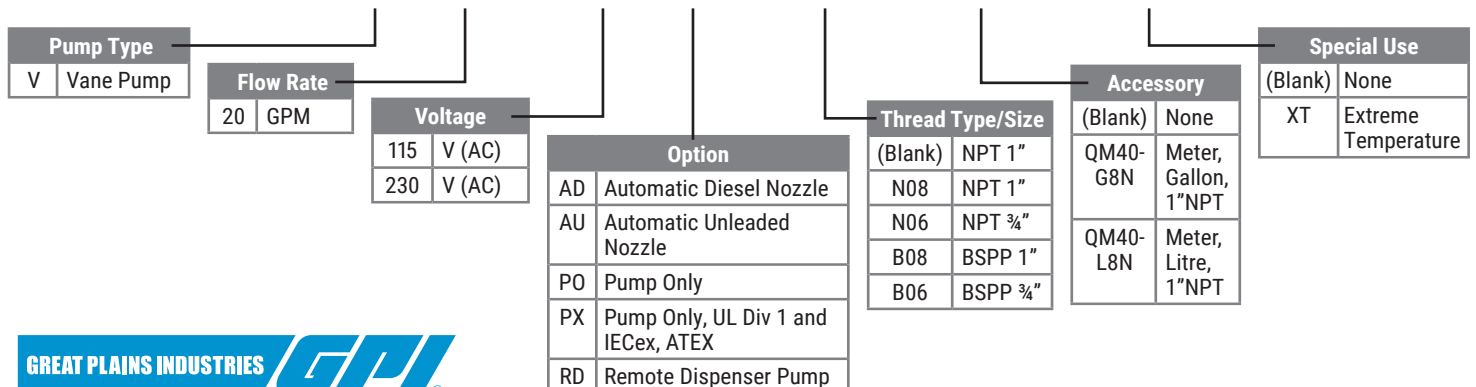


V20 SERIES MODEL NUMBERS

Example:

V20-115PO+QM40-G8N

V	20	-	115	PO	-	+	QM40-G8N	+	
Type	Flow Rate		Voltage	Option		Thread	Accessory		Special Use

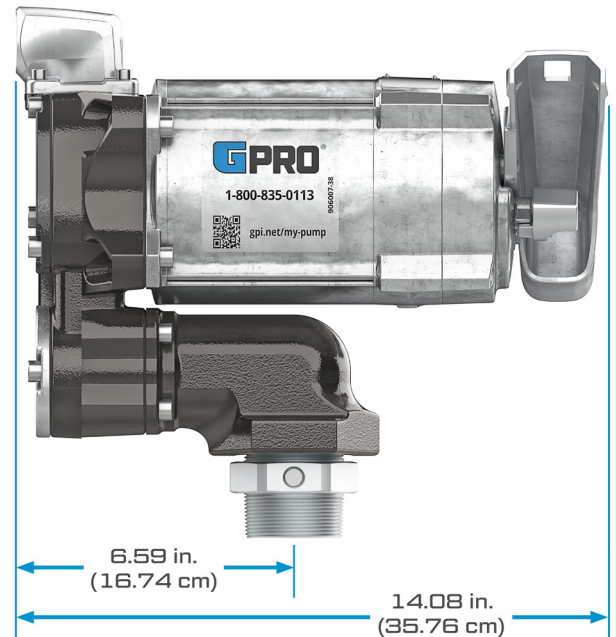
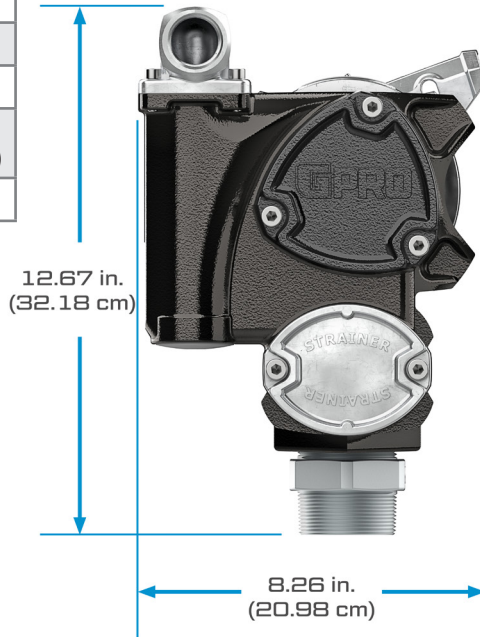


SPECS (ALL MODELS)

Motor HP:	0.50
Motor RPM:	1690
Duty Cycle:	30 min. on/30 min. off
Motor Protection:	Thermal Breaker (Automatically Resets)
Power Cord:	Not Included

Refer to manual for wiring instructions

DIMENSIONS



	171000-01 V20-115PO-N08	171001-01 V20-115PO-N06	171000-05 V20-115RD-N08	171000-51 V20-115PO-N08+XT	171001-51 V20-115PO-N06+XT	171000-53 V20-115AD+XT	171000-03 V20-115AD	171001-03 V20-115AU
Voltage, Input:	115V (AC) 60Hz, 230V (AC) 50/60Hz							
Amps (Rated) 60Hz:	115V (AC) 5.5 Amp 230V (AC) 2.8 Amp							
Fluid Statement:	Gasoline up to E15, Diesel Fuel up to B20, Kerosene, (Avgas 100LL), Jet A and Jet A-1*					Gasoline up to E15, Diesel Fuel up to B20, Kerosene		
Approvals:	cULus Motor Listed for Hazardous Locations Class I, Division 2, Group D USA and Canada cULus Power-Operated Pumps for Petroleum Products							

	171000-04 V20-230PX-B08	171001-04 V20-230PX-B06
Voltage, Input:	230V (AC) 50/60Hz, 115V (AC) 60Hz	
Amps (Rated) 50Hz:	230V (AC) 4.3 Amp 115V (AC) Not Applicable	
Fluid Statement	Gasoline up to E15, Diesel Fuel up to B20, Kerosene, (Avgas 100LL), Jet A and Jet A-1*	
Approvals	cULus Motor Listed for Hazardous Locations Class I, Division 2, Group D USA and Canada cULus Power-Operated Pumps for Petroleum Products IECEX, ATEX, CE	

**For ground-based refueling only. Do not use in or on the aircraft. For use with aviation gasoline (Avgas 100LL), Jet A and Jet A-1. User should consult NFPA 407 Standard for Aircraft Fuel Servicing for safety requirements during ground fuel servicing of aircraft using liquid petroleum fuels. This product has no actual or implied compliance with this standard. Owners and operators are responsible for compliance to all applicable regulations.*

Part No.	Description				What's in the Box						
171000-01	PUMP, FUEL 115V 20 GPM, PUMP ONLY, 1"				V20-115PO 115V AC 20 GPM Fuel Transfer Pump, Nozzle cover, 1-inch modular outlet fitting w/hardware, Tank adapter, Thread tape, Owner's manual						
Model											
V20-115PO-N08											
Operating Temperature	Mounting Type	Suction Pipe	Inlet	Modular Outlet	Hose Length	Hose Fitting Diameter	Hose Approvals	Nozzle Size	Nozzle Type	Nozzle Holder Type	
-20° F to 125° F (-29° C to 52° C)	Direct Mount, 2 in. MNPT	Not Included	1 in. FNPT	1 in. FNPT	– Not Included –			– Not Included –		Lockable With Drip Catch	

Part No.	Description				What's in the Box						
171000-03	PUMP, FUEL 115V 20 GPM, AUTO, 1"				V20-115AD 115V AC 20 GPM Fuel Transfer Pump, Nozzle cover, Auto shut-off diesel nozzle, Dispensing hose, 1-inch modular outlet fitting w/hardware, Tank adapter, Thread tape, Owner's manual						
Model											
V20-115AD											
Operating Temperature	Mounting Type	Suction Pipe	Inlet	Modular Outlet	Hose Length	Hose Fitting Diameter	Hose Approvals	Nozzle Size	Nozzle Type	Nozzle Holder Type	
-20° F to 125° F (-29° C to 52° C)	Direct Mount, 2 in. MNPT	Not Included	1 in. FNPT	1 in. FNPT	18 ft. (5.5m)	1 in. MNPT	UL Listed	1 in. FNPT, Inlet	Automatic Shut-off, Diesel	Lockable With Drip Catch	

Part No.	Description				What's in the Box						
171000-51	PUMP, FUEL 115V 20 GPM, PUMP ONLY, 1", XT				V20-115PO+XT 115V AC 20 GPM Fuel Transfer Pump, Nozzle cover, 1-inch modular outlet fitting w/hardware, Tank adapter, Thread tape, Owner's manual						
Model											
V20-115PO-N08+XT											
Operating Temperature	Mounting Type	Suction Pipe	Inlet	Modular Outlet	Hose Length	Hose Fitting Diameter	Hose Approvals	Nozzle Size	Nozzle Type	Nozzle Holder Type	
-40° F to 125° F (-40° C to 52° C)	Direct Mount, 2 in. MNPT	Not Included	1 in. FNPT	1 in. FNPT	– Not Included –			– Not Included –		Lockable With Drip Catch	

Part No.	Description				What's in the Box						
171000-53	PUMP, FUEL 115V 20 GPM, AUTO, 1", XT				V20-115AD+XT 115V AC 20 GPM Fuel Transfer Pump, Nozzle cover, Auto shut-off diesel nozzle, Dispensing hose, 1-inch modular outlet fitting w/hardware, Tank adapter, Thread tape, Owner's manual						
Model											
V20-115AD+XT											
Operating Temperature	Mounting Type	Suction Pipe	Inlet	Modular Outlet	Hose Length	Hose Fitting Diameter	Hose Approvals	Nozzle Size	Nozzle Type	Nozzle Holder Type	
-40° F to 125° F (-40° C to 52° C)	Direct Mount, 2 in. MNPT	Not Included	1 in. FNPT	1 in. FNPT	18 ft. (5.5m)	1 in. MNPT	UL Listed	1 in. FNPT, Inlet	Automatic Shut-off, Diesel	Lockable With Drip Catch	

Part No.	Description				What's in the Box						
171001-01	PUMP, FUEL 115V 20 GPM, PUMP ONLY, 3/4"				V20-115PO 115V AC 20 GPM Fuel Transfer Pump, Nozzle cover, 3/4-inch modular outlet fitting w/hardware, Tank adapter, Thread tape, Owner's manual						
Model											
V20-115PO-N06											
Operating Temperature	Mounting Type	Suction Pipe	Inlet	Modular Outlet	Hose Length	Hose Fitting Diameter	Hose Approvals	Nozzle Size	Nozzle Type	Nozzle Holder Type	
-20° F to 125° F (-29° C to 52° C)	Direct Mount, 2 in. MNPT	Not Included	1 in. FNPT	3/4 in. FNPT	– Not Included –			– Not Included –		Lockable With Drip Catch	

Part No.	Description	What's in the Box								
171001-03	PUMP, FUEL 115V 20 GPM, AUTO UNLEADED, 3/4"	V20-115AU 115V AC 20 GPM Fuel Transfer Pump, Nozzle cover, Auto shut-off unleaded nozzle, Dispensing hose, 3/4-inch modular outlet fitting w/hardware, Tank adapter, Thread tape, Owner's manual								
Model V20-115AU										
Operating Temperature	Mounting Type	Suction Pipe	Inlet	Modular Outlet	Hose Length	Hose Fitting Diameter	Hose Approvals	Nozzle Size	Nozzle Type	Nozzle Holder Type
-20° F to 125° F (-29° C to 52° C)	Direct Mount, 2 in. MNPT	Not Included	1 in. FNPT	3/4 in. FNPT	18 ft. (5.5m)	3/4 in. MNPT	UL Listed	3/4 in. FNPT, Inlet	Automatic Shut-off, Unleaded	Lockable With Drip Catch

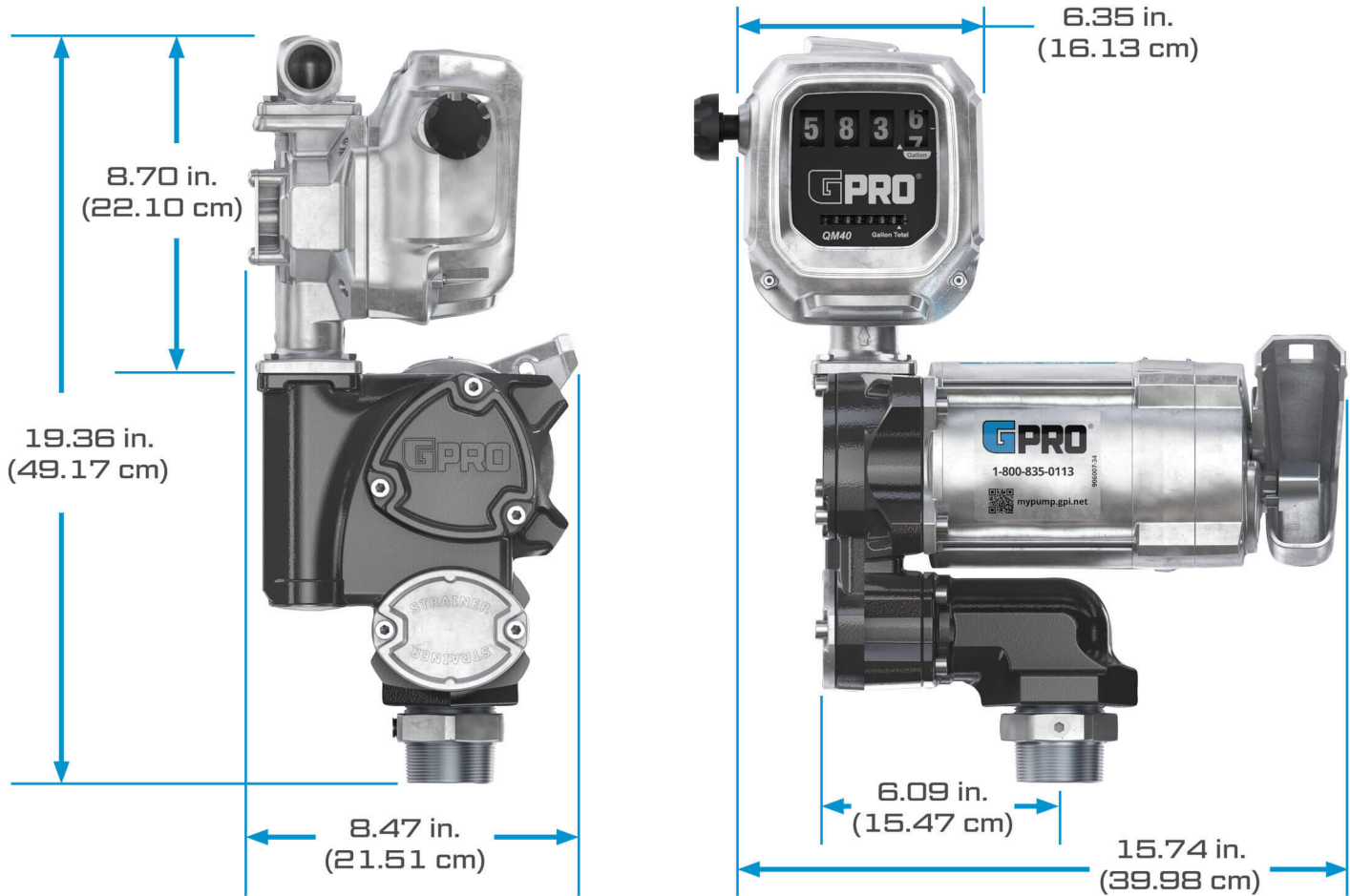
Part No.	Description	What's in the Box								
171001-51	PUMP, FUEL 115V 20 GPM, PUMP ONLY, 3/4", XT	V20-115PO+XT 115V AC 20 GPM Fuel Transfer Pump, Nozzle cover, 3/4-inch modular outlet fitting w/hardware, Tank adapter, Thread tape, Owner's manual								
Model V20-115PO-N06+XT										
Operating Temperature	Mounting Type	Suction Pipe	Inlet	Modular Outlet	Hose Length	Hose Fitting Diameter	Hose Approvals	Nozzle Size	Nozzle Type	Nozzle Holder Type
-40° F to 125° F (-40° C to 52° C)	Direct Mount, 2 in. MNPT	Not Included	1 in. FNPT	3/4 in. FNPT			– Not Included –		– Not Included –	Lockable With Drip Catch

Part No.	Description	What's in the Box								
171000-05	PUMP, FUEL 115V 20 GPM, REMOTE DISPENSER	V20-115RD 115V AC 20 GPM Fuel Transfer Pump, Lever lock bracket w/hardware, 1-inch modular outlet fitting w/hardware, NPT-threaded Tank adapter, Thread tape, Owner's manual								
Model V20-115RD-N08										
Operating Temperature	Mounting Type	Suction Pipe	Inlet	Modular Outlet	Hose Length	Hose Fitting Diameter	Hose Approvals	Nozzle Size	Nozzle Type	Nozzle Holder Type
-20° F to 125° F (-29° C to 52° C)	Direct Mount, 2 in. MNPT	Not Included	1 in. FNPT	1 in. FNPT			– Not Included –		– Not Included –	Lockable With Drip Catch

Part No.	Description	What's in the Box								
171000-04	PUMP, FUEL 230V 20 GPM, PUMP ONLY, 1" BSPP	V20-230PX 230V AC 20 GPM Fuel Transfer Pump, Nozzle cover, 1-inch modular outlet fitting w/hardware, Tank adapter, Thread tape, Owner's manual								
Model V20-230PX-B08										
Operating Temperature	Mounting Type	Suction Pipe	Inlet	Modular Outlet	Hose Length	Hose Fitting Diameter	Hose Approvals	Nozzle Size	Nozzle Type	Nozzle Holder Type
-20° F to 125° F (-29° C to 52° C)	Direct Mount, 2 in. BSPT	Not Included	1 in. BSPP	1 in. BSPP			– Not Included –		– Not Included –	Lockable With Drip Catch

Part No.	Description	What's in the Box								
171001-04	PUMP, FUEL 230V 20 GPM, PUMP ONLY, 3/4" BSPP	V20-230PX 230V AC 20 GPM Fuel Transfer Pump, Nozzle cover, 3/4-inch modular outlet fitting w/hardware, Tank adapter, Thread tape, Owner's manual								
Model V20-230PX-B06										
Operating Temperature	Mounting Type	Suction Pipe	Inlet	Modular Outlet	Hose Length	Hose Fitting Diameter	Hose Approvals	Nozzle Size	Nozzle Type	Nozzle Holder Type
-20° F to 125° F (-29° C to 52° C)	Direct Mount, 2 in. BSPT	Not Included	1 in. BSPP	3/4 in. BSPP			– Not Included –		– Not Included –	Lockable With Drip Catch

PUMP AND METER COMBOS



Part No.	Description										What's in the Box		
171050-01	COMBO GALLONS PUMP, FUEL, 115V, 20 GPM, PUMP ONLY, METER, FUEL, GALLONS, 1"										V20-115PO 115V AC 20 GPM Fuel Transfer Pump, Nozzle cover, 1-inch modular outlet fitting w/hardware, Tank adapter, Thread tape, Owner's manual QM40-G8N Fuel meter with gallon register, Hardware, Owner's manual		
Model V20-115PO+QM40-G8N													
Operating Temperature	Mounting Type	Suction Pipe	Inlet	Modular Outlet	Hose Length	Hose Fitting Diameter	Hose Approvals	Nozzle Size	Nozzle Type	Nozzle Holder Type			
-20° F to 125° F (-29° C to 52° C)	Direct Mount, 2 in. MNPT	Not Included	1 in. FNPT	1 in. FNPT			- Not Included -			Lockable With Drip Catch			

Part No.	Description										What's in the Box		
171050-02	COMBO LITRES PUMP, FUEL, 115V, 20 GPM, PUMP ONLY, METER, FUEL, LITRES, 1"										V20-115PO 115V AC 20 GPM Fuel Transfer Pump, Nozzle cover, 1-inch modular outlet fitting w/hardware, Tank adapter, Thread tape, Owner's manual QM40-L8N Fuel meter with litre register, Hardware, Owner's manual		
Model V20-115PO+QM40-L8N													
Operating Temperature	Mounting Type	Suction Pipe	Inlet	Modular Outlet	Hose Length	Hose Fitting Diameter	Hose Approvals	Nozzle Size	Nozzle Type	Nozzle Holder Type			
-20° F to 125° F (-29° C to 52° C)	Direct Mount, 2 in. MNPT	Not Included	1 in. FNPT	1 in. FNPT			- Not Included -			Lockable With Drip Catch			