



VAN STORAGE SOLUTIONS
FOR THE WAY YOU WORK™

INSTALLATION MANUAL

MOUNTING CHANNEL KIT, 85 in (2085-0-01)

ATTENTION: PLEASE READ AND UNDERSTAND ALL INSTRUCTIONS AND WARNINGS BEFORE ASSEMBLING, INSTALLING OR USING THIS PRODUCT.

TOOLS REQUIRED

- RTV Automotive/ Exterior sealant (not included)
- Thread Lock Compound (not included)
- 4 mm HEX KEY (for M6 mounting bolts)
- 5 mm HEX KEY (for M8 mounting bolts)
- 13 mm Wrench/ Socket (for M8 hex head bolts)
- 1/2 in Wrench, 9/16 in Wrench (for blind fasteners)
- Drill, air or electric, with 1/8 in bit, 7/16 in or 11mm bit
- Torque wrench or torque settable driver
- Tape measure, Marker, Utility knife

CAUTION

Be safe - always wear protective eyewear to keep debris out of your eyes when installing WEATHER GUARD® Van Products.

- **Use the correct Weather Guard mounting channel for your type of van. This mounting kit is designed for compact vans.**
- **Attach mounting channels only to vehicle manufacturer provided mounting points. Do not drill new holes in the van roof.**
- **Vehicle manufacturers specifically prohibit adding additional mounting points through the roof of the vans.**

PARTS LIST



14x 5/16" WASHER



12X M8X20MM BOLT



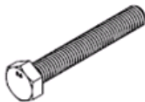
12X M8 SQUARE NUT



12X M6X12MM BOLT



10X M8 BLIND FASTENER



1X M8X55MM HEX



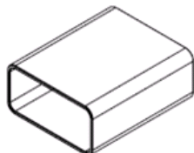
1X BLIND FASTENER
INSTALL TOOL



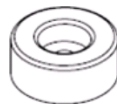
6X M6X18MM BOLT



6X M6 WASHER



4X RED CAP



2X 5/8" BUMPER



2X 1/4" FOAM TAPE



2X 5/16"X5/8" BOLT



2X 5/16" NYLON LOCK NUT

2X MOUNTING CHANNEL



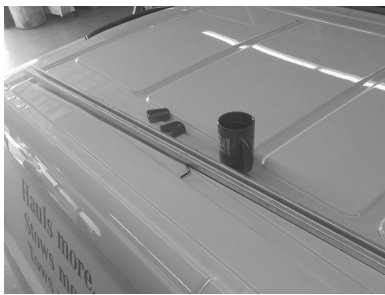
ATTENTION: PLEASE READ AND UNDERSTAND ALL INSTRUCTIONS AND WARNINGS BEFORE ASSEMBLING, INSTALLING OR USING THIS PRODUCT.

INSTALLATION INSTRUCTIONS

GENERAL INSTRUCTIONS:

The mounting channel kit includes mounting channels and hardware to attach the channels to the roof of a compact van using mounting holes or weld nuts provided by the OEM van manufacturer. The hole pattern in the channel accommodates multiple vans. Refer to the alignment guides on pages 4-6 for instructions for specific vans. **Important! Slide roof rack mounting plates included with the van rack into the channel and into position for the van rack cross-members before bolting the mounting channels to the van roof.**

STEP 1 Position mounting channels on roof of van. Use the figures on pages 4-6 showing the orientation of mounting holes to channel slots for each van type. Align the slots in the channel with the OEM mounting points starting from the rear and working to the front of the van.



STEP 1



STEP 2



STEP 2

STEP 2 Remove any plastic caps covering the mounting points of your van. Use the utility knife to cut paint if necessary. Clean excess paint and debris from the threads of the weld nuts.

STEP 3 Refer to the instruction manual of the van rack you are installing for the required number of mounting plates. Assemble (2) 5/16-18 carriage bolts into the mounting plate and insert into the channel.



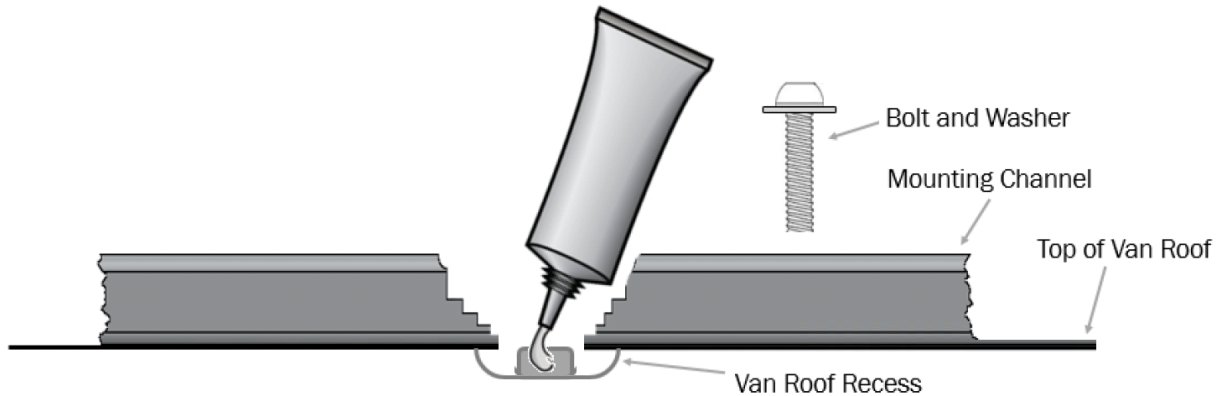
STEP 4 Heat the red cap in warm water for 30-45 seconds and assemble to the ends of mounting rails. It may be necessary to cut a slit in the cap to accommodate the carriage bolts in the mounting plate.



ATTENTION: PLEASE READ AND UNDERSTAND ALL INSTRUCTIONS AND WARNINGS BEFORE ASSEMBLING, INSTALLING OR USING THIS PRODUCT.

INSTALLATION INSTRUCTIONS

- STEP 5** Apply thread lock compound (not included) to M6 or M8 channel mounting bolts required for your installation.
- STEP 6** Apply RTV sealant liberally around the channel mounting bolt, under the washer, and between the channel and the roof.



- STEP 7** Attach the mounting channels to the van using the washers and channel mounting bolts provided using a 4mm or 5mm hex key or driver. Torque M6 bolts to 8 ft-lbs. and M8 bolts to 13 ft-lbs.

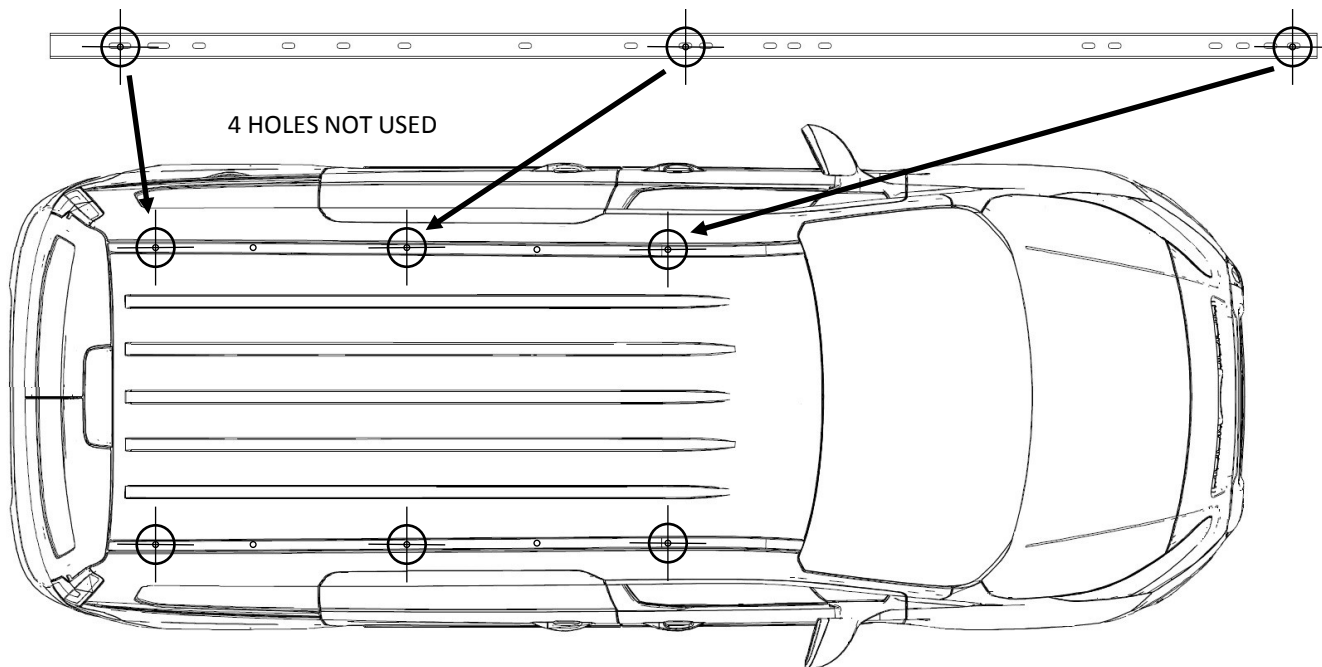


- STEP 8** Proceed with van roof rack installation instructions.

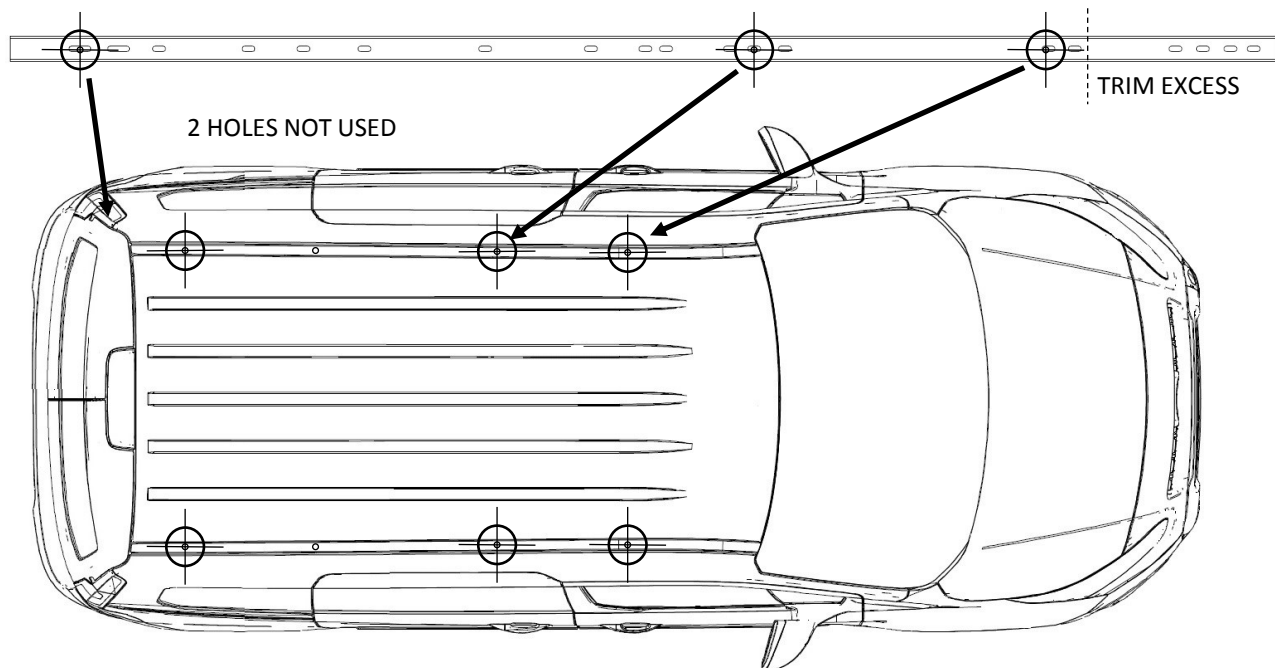
Refer to the alignment guides on pages 4-6 for the holes that work with specific vans. **Important! Slide roof rack mounting plates included with the van rack into the channel and into position for the van rack cross-members before bolting the mounting channels to the van roof.**

FORD TRANSIT CONNECT: On MY 2014 and newer vans, Ford provides mounting holes but not weld nuts in the roof. After removing the plastic caps plugging the mounting holes, enlarge the mounting holes using a 7/6" or 11 mm drill to fit the blind fasteners. Follow the BLIND FASTENER INSTALLATION INSTRUCTIONS on page 7 to install (6) M8 blind fasteners. Be careful during installation not to damage any wiring or safety equipment that may be located inside the roof of the van. **Important! Slide roof rack mounting plates included with the van rack into position before bolting the mounting channels to the van roof.** Use (6) M8x20mm bolts and (6) large flat washers to install channels.

MOUNTING CHANNEL ALIGNMENT FOR FORD TRANSIT CONNECT LWB (120")

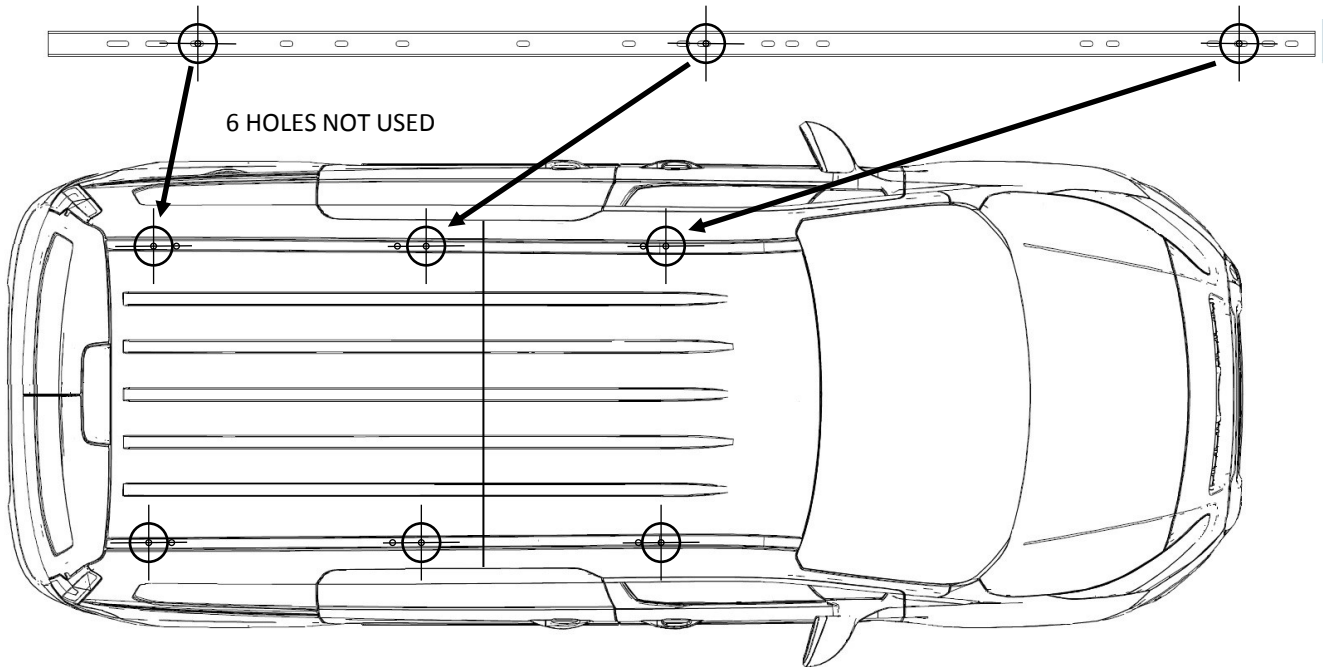


MOUNTING CHANNEL ALIGNMENT FOR FORD TRANSIT CONNECT SWB (105")



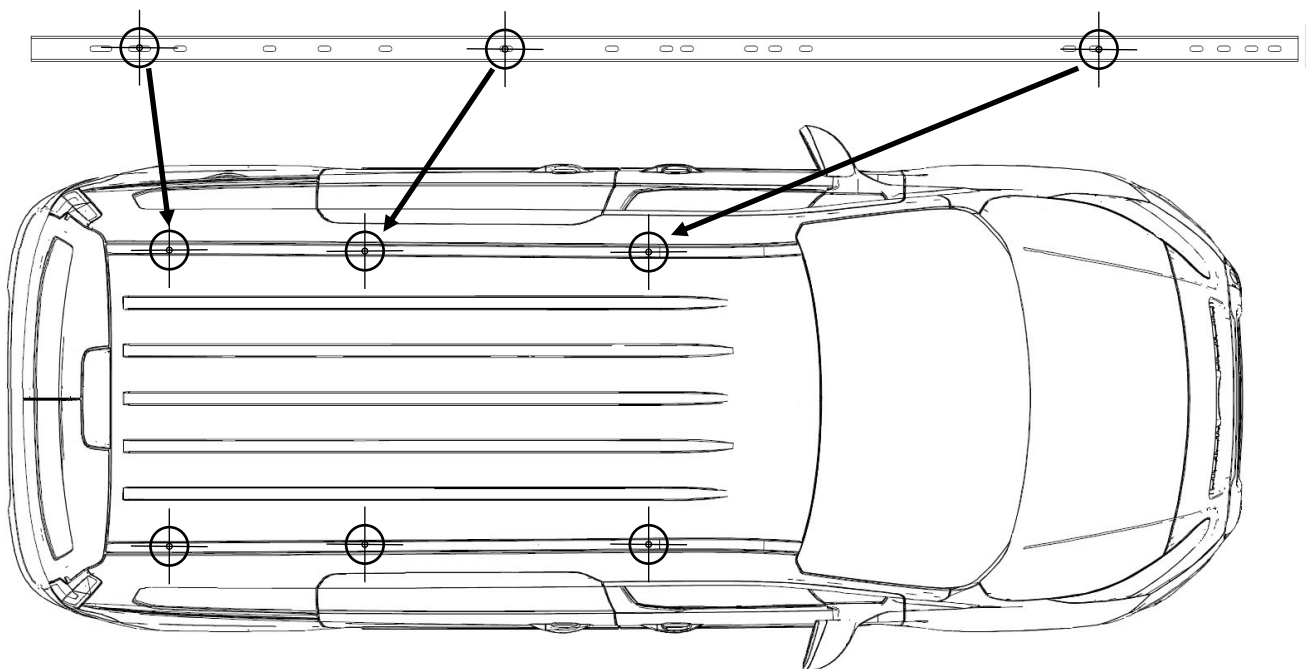
RAM PROMASTER CITY: RAM provides two rows of (6) M6 weld nuts in the van roof. The installation will use (3) mounting points on each side using a total of (6) M6x18mm bolts and (6) large washers. **Important! Slide roof rack mounting plates included with the van rack into position before bolting the mounting channels to the van roof.**

MOUNTING CHANNEL ALIGNMENT FOR RAM PROMASTER CITY



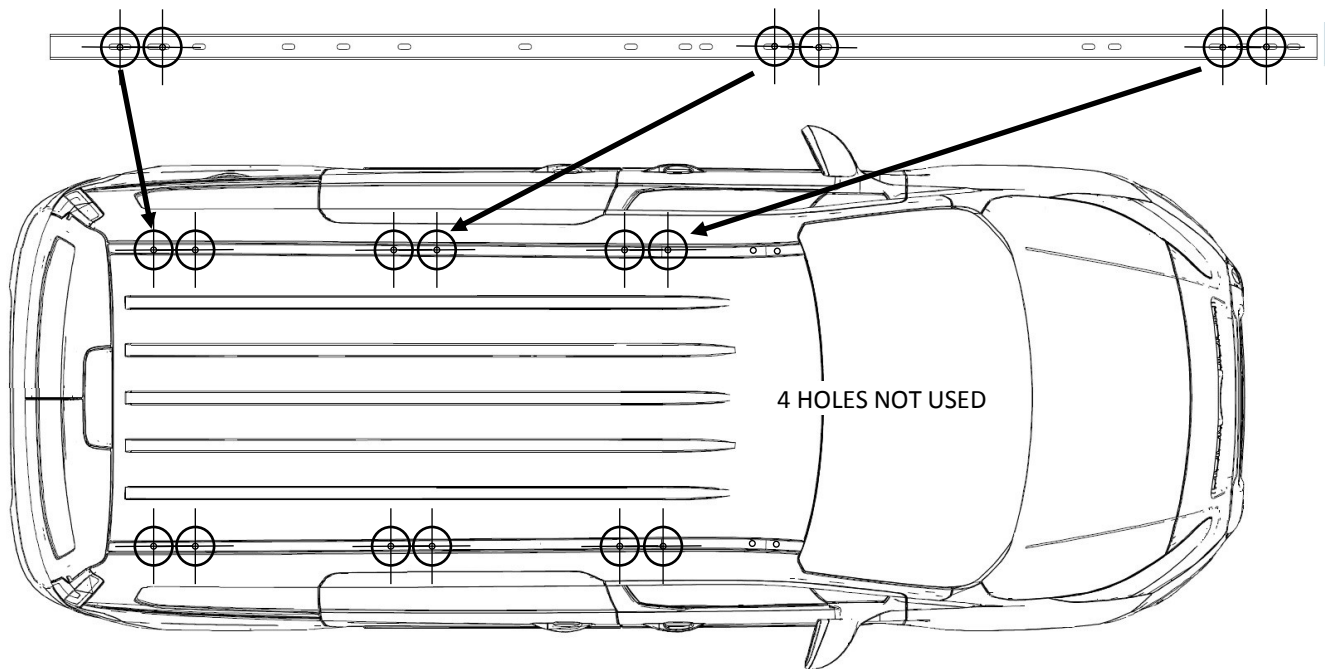
CHEVY CITY EXPRESS/ NISSAN NV200: There are three M8 weld nuts provided to attach the mounting channels to the van roof. Remove the plastic caps to access the weld nuts. Because of the roof design, attach the 1/4" thick foam tape to the underside of the channel at the front of the van to fill the gap at the front of the channel. **Important! Slide roof rack mounting plates included with the van rack into position before bolting the mounting channels to the van roof.** Use (6) M8x20mm bolts and (6) large washers to install channels.

MOUNTING CHANNEL ALIGNMENT FOR CITY EXPRESS/ NV200 VANS



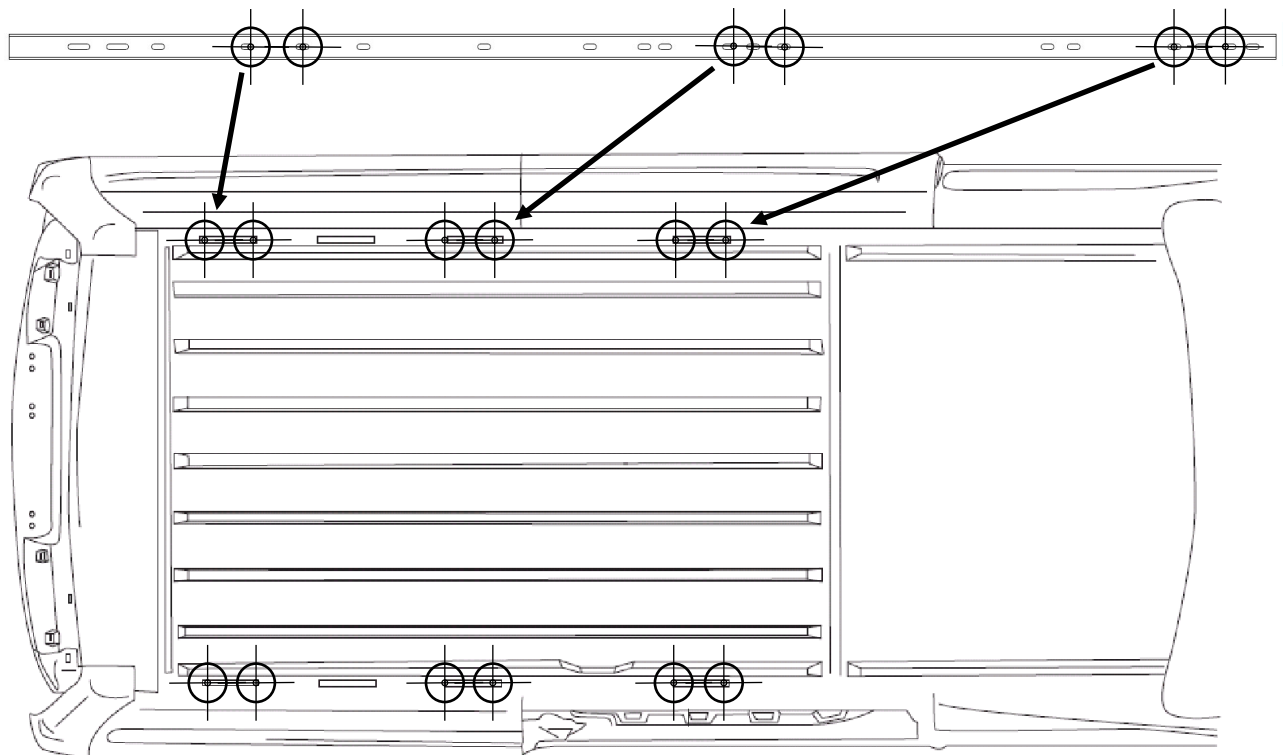
MERCEDES METRIS: Mercedes provides two rows of eight M6 weld nuts in the van roof. The installation will use six mounting points on each side using a total of (12) M6x12mm bolts and (12) large washers. **Important! Slide roof rack mounting plates included with the van rack into position before bolting the mounting channels to the van roof.**

MOUNTING CHANNEL ALIGNMENT FOR MERCEDES METRIS

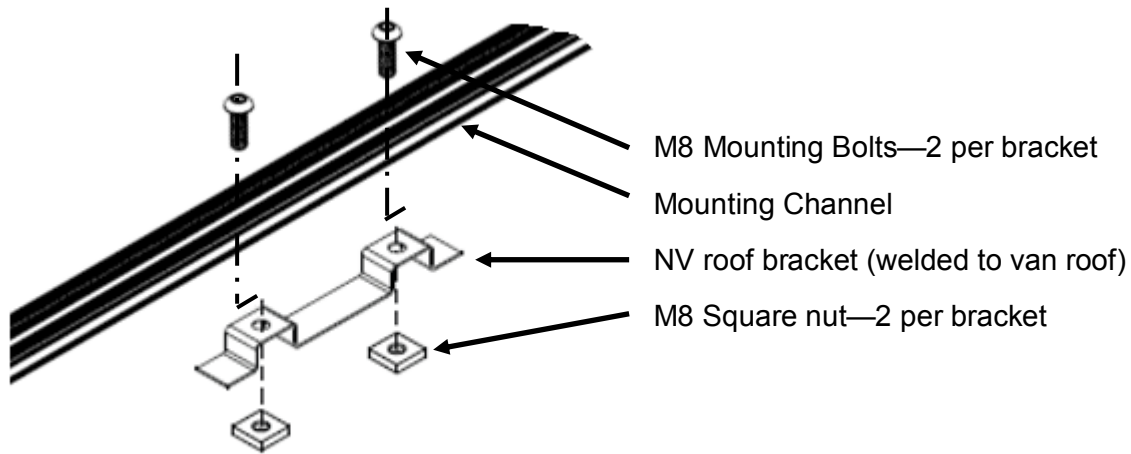


NISSAN NV HIGH ROOF The Nissan NV provides four raised pairs of mounting brackets for roof-rack mounting. Two pairs will not be used. Position the mounting channels over the brackets and use the M8 bolts and M8 square nuts to attach the channels to the brackets. **Important! Slide roof rack mounting plates included with the van rack into position before bolting the mounting channels to the van roof.** RTV sealant is not needed on this application.

MOUNTING CHANNEL ALIGNMENT FOR NISSAN NV HIGH ROOF VANS



NISSAN NV HIGH ROOF: Because of the roof design, there is a small gap between the roof and the mounting channel at the rear of the van. Weather Guard does not recommend installing blind fasteners into the NV roof. Instead, to provide a solid support for the back of the mounting channel, attach the Bumpers to the underside of the channel using two each of the 5/16-18 x 1-1/4 in mounting bolt, the 5/16 in washer, and the 5/16-18 lock nuts. Tighten to 10 ft-lbs.



OLDER VANS

The mounting channel kits are designed for MY2014 and later compact vans, but they can also be used on older vans such as the 2010-2013 Ford Transit Connect or the RAM C/V. These vehicles do not include convenient roof mounting points. Use any manufacturer-provided mounting features first. On RAM C/V and DODGE Caravan and at the **REAR END** of a 2010-2013 Ford Transit Connect, use the M8 bolts and blind fasteners to attach the mounting channels to the van roof. Mark your mounting positions using the mounting channel as a guide. Drill pilot holes using a 1/8" bit and then enlarge them using a 7/6" or 11 mm bit to fit the blind fasteners. Follow the blind fastener installation instruction to mount the blind fasteners. Be careful during installation not to damage wiring or airbags that may be located inside the

Installing Blind Fasteners

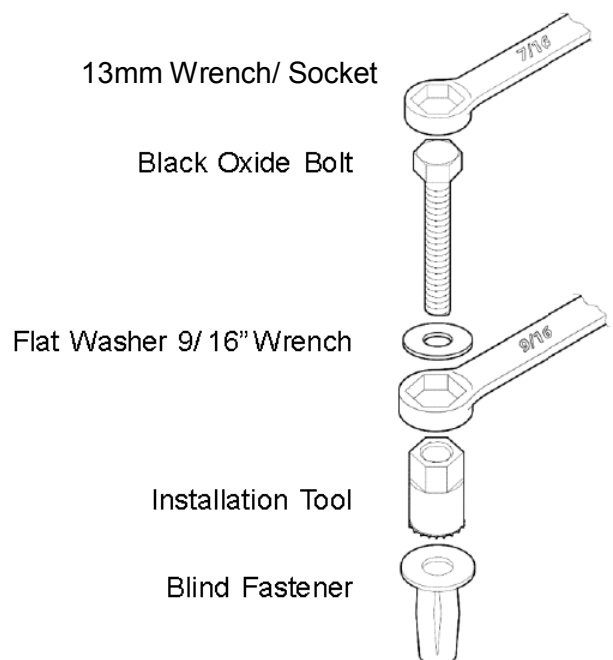
Before installing blind fasteners, verify the location of wiring, air-bags, sense wires, etc. so you don't accidentally damage something important.

Slip a washer on the M8 x 55 mm bolt, and pass them through the 9/16 wrench and installation tool as show at right. Place a drop of oil on the M8 bolt before threading on the blind fastener.

Place the blind fastener through the hole and use the 13 mm wrench or socket to tighten the bolt until the blind fastener is fully seated.

As the blind fastener "bulbs-out" it will get easier to turn until it bottoms out and "sets". Make sure that the blind fastener and installation tool do not turn during installation.

After the blind fastener is set remove the M8 x 55 mm bolt and install the M8 mounting bolt.



WARNING

This product is only intended and safe for use in storing and transporting small tools, equipment and other similar materials. These instructions are to be followed using the parts and fasteners supplied for proper installation. Any modifications or improper installation of this product will create a hazardous condition that could result in death, serious personal injury and/or property damage.

All floor mounting bolts near the fuel tank area should be installed from the underside of the vehicle, to guard against the fuel tank being punctured in the event of a collision. This would mean not using Blind Fasteners in this area. Holes in this area should be 5/16". Ensure ample space in roof ribs and sidewall ribs for mounting screws so as not to puncture exterior roof or wall.

Do not install this product where it could interfere with deployment of air bags. Failure to comply could result in death or serious body injury.

- NOTICE -

Any modification or unintended use of this product shall immediately void all manufacturers warranties. Manufacturer disclaims all liability for injuries to persons or property resulting from any modification to, or unintended use of this product.

KNAACK LLC LIMITED LIFETIME WARRANTY FOR WEATHER GUARD® PRODUCTS

WEATHER GUARD® Products — Limited Lifetime Warranty (Purchased on or after 1/1/2009)

Knaack LLC (the "Manufacturer") warrants to the original purchaser only that WEATHER GUARD® Truck and Van Products (the "WEATHER GUARD® Product") will be free from defects in material and workmanship from the date of purchase and continuing for the expected lifetime of the WEATHER GUARD® Product. A copy of the original sales receipt must be supplied to the Manufacturer at the time a warranty claim is made. This warranty terminates if the original purchaser transfers the WEATHER GUARD® Product to any other person.

What is Covered

All WEATHER GUARD® Products identified above that are purchased on or after January 1, 2009.

What We Will Do to Correct Problems

Subject to the limitations and exclusions described in this limited warranty, the Manufacturer will remedy defects in materials or workmanship by providing one of the following remedies at its option and without charge to the original purchaser for parts or labor: (a) repairing the defective portion of the WEATHER GUARD® Product or (b) replacing the entire WEATHER GUARD® Product. In addition, the manufacturer may elect at its option, not to repair or replace the WEATHER GUARD® Product, but rather issue to the original purchaser a refund equal to the purchase price paid for the WEATHER GUARD® Product or a credit to be used toward the purchase of new WEATHER GUARD® Product.

What is Not Covered

This limited warranty expressly excludes:

- Defects caused by normal wear and tear, cosmetic rust, scratches, accidents, unlawful vehicle operation, or modification to the product, or any types or repair of a WEATHER GUARD® Product other than those authorized or provided by the Manufacturer.
- Defects resulting from conditions beyond the Manufacturer's control including, but not limited to misuse, overloading, or failure to assemble, mount or use the WEATHER GUARD® Product in accordance with the Manufacturer's written instructions or guidelines included with the WEATHER GUARD® Product or made available to the original purchaser.
- Damage to the contents of the box or vehicle.
- TO THE EXTENT PERMITTED BY LAW, IN NO EVENT SHALL THE MANUFACTURER BE LIABLE FOR ANY INCIDENTAL, SPECIAL, INDIRECT, OR CONSEQUENTIAL DAMAGES, INCLUDING ANY ECONOMIC LOSS, WHETHER RESULTING FROM NONPERFORMANCE, USE, MISUSE OR INABILITY TO USE THE WEATHER GUARD® PRODUCT OR THE MANUFACTURER'S NEGLIGENCE.

No Other Express Warranty Applies

This Limited Lifetime Warranty is the sole and exclusive warranty for WEATHER GUARD® Products. No employee, agent, dealer, or other person is authorized to alter this warranty or make any other warranty on behalf of Knaack LLC.

Notification Procedures

If the WEATHER GUARD® Product does not conform with the terms of this limited warranty, the original owner must promptly notify the Manufacturer in writing upon discovery of the nonconformity. In order to receive the remedies under this limited warranty, the warranty claim must describe the nature of the nonconformity, and a copy of the original sales receipt, invoice, bill or other proof of purchase must accompany the claim. Repairs or modifications made to the WEATHER GUARD® Product by other than the Manufacturer or its authorized agent will nullify this limited warranty. Coverage under this limited warranty is conditioned at all times upon the owner's compliance with these required notification and repair procedures. Warranty claims must include reciprocal contact information and may be made via certified mail to:

Knaack LLC ATTN: Warranty Claims
420 E. Terra Cotta Avenue Crystal Lake, IL 60014

If you have any questions, please call toll free at 1-800-456-7865.

©2013 Knaack LLC

