

# ASSEMBLY AND INSTALLATION INSTRUCTIONS

## KNAPHEIDE UTILITY VAN (KUV) MODEL 2505

### MOUNTING BRACKET ACCESSORY


Installation time will be in conjunction with the Model 2275-3-01 or 2295-3-01

#### IMPORTANT BEFORE YOU BEGIN

Read these instructions and warnings completely before installation.

#### TOOLS REQUIRED

- (2) 1/2" Open or Box End Wrench
- Electric Drill
- Tape Measure
- .343 dia. Drill Bit



This product is only intended for, and only safe for, transporting ladders, lumber, pipe and other similar materials. It is the responsibility of the user to secure these materials to the rack before transporting. Any modifications made to this product, or use of this product for any other purpose than its intended use, could create a hazardous condition that can cause serious personal injury or property damage.

#### MOUNTING HARDWARE

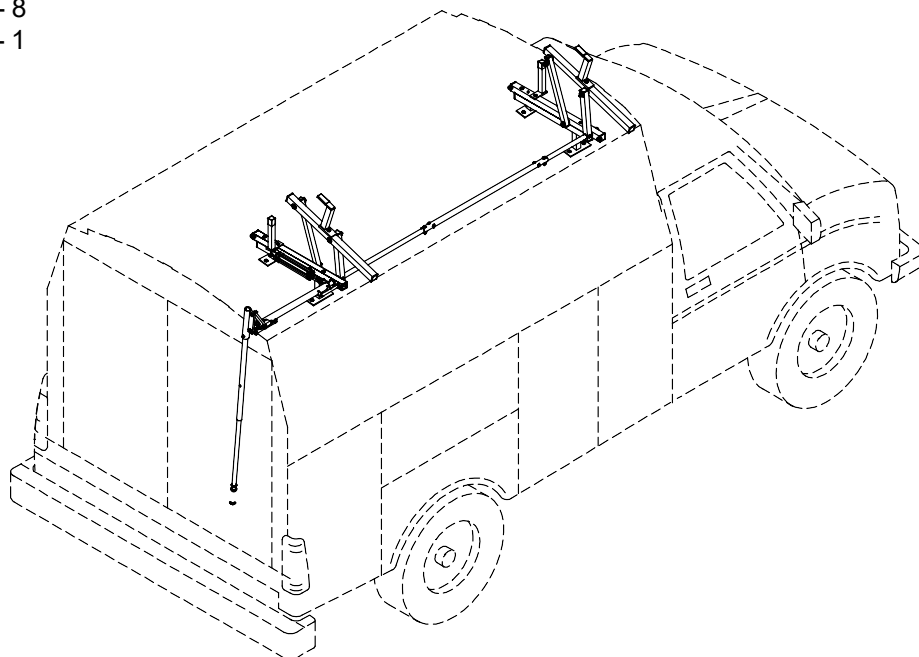
Description	Qty.
• 2" x 7" Rubber Pad -----	4
• 5/16"-18 x 1-1/4" Hex Head Bolt -----	8
• 5/16"-18 Nylon Lock Nut -----	8
• 5/16" Washer -----	8
• Silicone Sealant -----	1

#### CAUTION

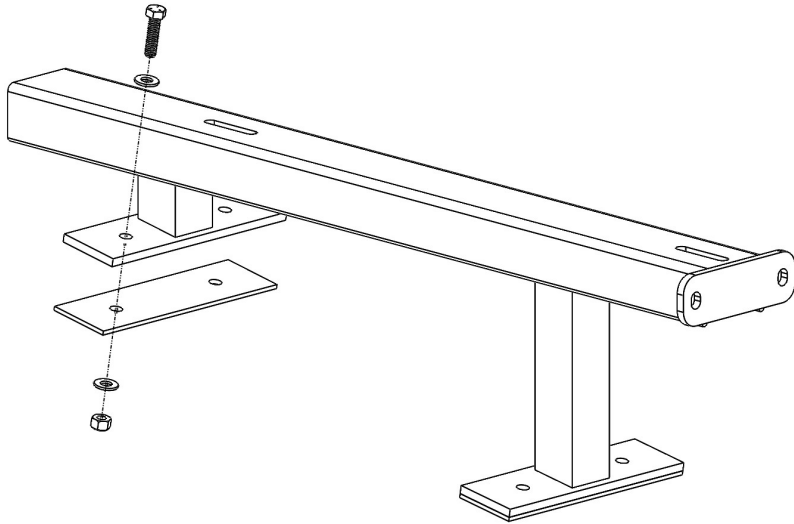
Load should be approximately centered front to rear on all vehicles. Failure to do this will cause damage to the vehicle roof.

 **WARNING**

Ladders must be secured per ANSI standard A142.2-1990 paragraph 8.4.4. Ladder damage will occur from road shock and vehicle vibration if the ladder is not properly secured to the ladder rack. Bouncing and side to side motion of a improperly secured ladder will cause wear and weaken the ladder. Using a damaged ladder could lead to a structural collapse and could result in a serious injury or death.



**NOTE: Follow the instruction manual supplied with EZGLIDE2 Ladder Rack steps 1, 2, 5, 7 through 11. Read and have an understanding of both EZGLIDE2 instruction sheet and KUV bracket instruction sheet. 2505 KUV bracket is equivalent to front/rear cross member in EZGLIDE2 instruction sheet.**



1.) Use the 5/16"-18 x 3/4" carriage bolts supplied with the EZGLIDE2 ladder rack to mount the assembly to 2505 brackets.

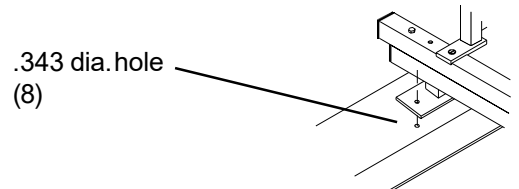
2.) Position the assembly on the KUV roof such that there is 3" to 6" of clearance between the handle and the back of the body.

3.) Set the mounting feet approximately 2" from the top edge of the roof.



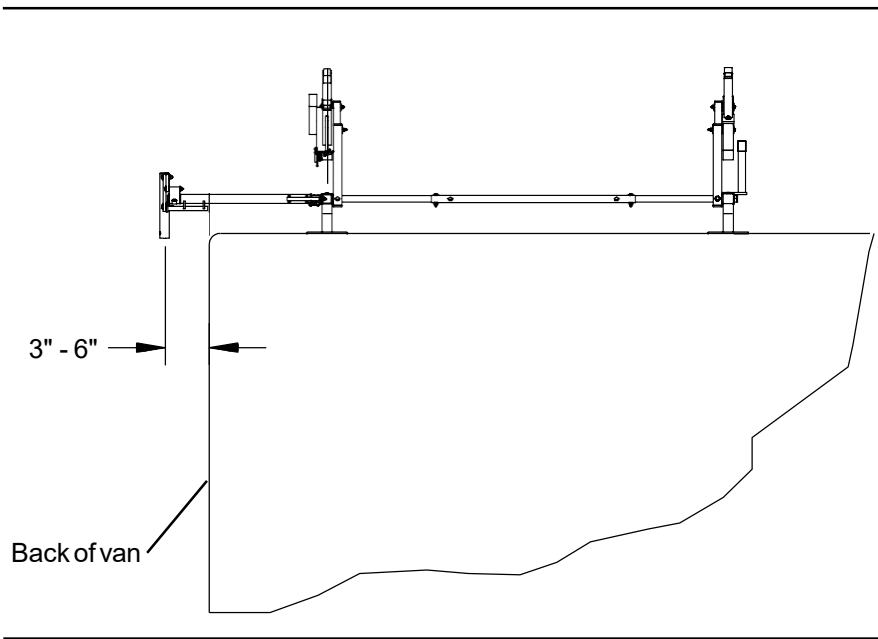
**To keep debris out of your eyes when drilling, always wear protective eyewear.**

4.) Mark (8) .343" holes using the mounting feet as a template then drill.



5.) Place the supplied rubber pads on mounting position and set the assembly on top of them.

6.) Tighten all fasteners and refer to EZGLIDE2 instruction for adjustments.



**- NOTICE -**

**Any modification or unintended use of this product shall immediately void all manufacturers warranties. Manufacturer disclaims all liability for injuries to persons or property resulting from any modification to, or unintended use of this product.**

If you have any questions, please give us a call. **Call Toll Free 1-800-456-7865**

WEATHER GUARD® products are protected by one or more of the following patents:  
 U.S. - 5145087, 5308126, 4509787, 4573731, 4618083, D-346355, D-346994, D-353574; Canada - 1218968, 1224230, 1235100 and; U.K.- 2233036.  
 other patents pending.



**KNAACK LLC**  
 420 E. TERRA COTTA AVENUE  
 CRYSTAL LAKE, ILLINOIS, USA 60014  
 815-459-6020  
 ©2018 Knaack LLC

