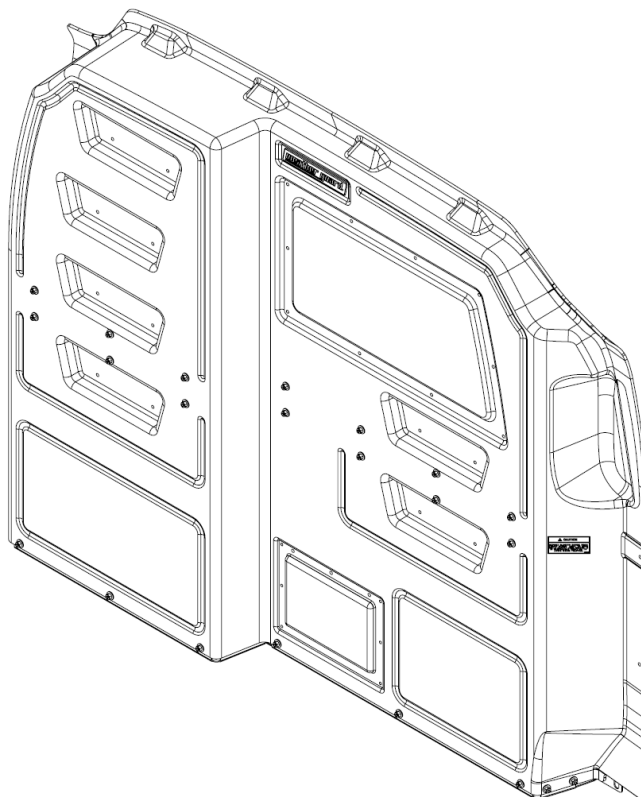




VAN STORAGE SOLUTIONS
FOR THE WAY YOU WORK™

CAB/MAX™
COMPOSITE BULKHEAD
INSTALLATION INSTRUCTIONS for
LOW ROOF FORD TRANSIT
COMPOSITE BULKHEAD



MODEL 96300-3-01

Weather Guard / KNAACK
420 E. Terra Cotta Ave.
Crystal Lake, IL 60014 USA

800-456-7865 (Toll Free)
800-334-2981 (Fax)
Knaack.OrderEntry@wernerco.com

Weather Guard / KNAACK
9133 Leslie St. Unit 105
Richmond Hill, ON L4B4N1

888-562-2251 (Toll Free)
888-456-8460 (Fax)
Knaack.OrderEntry.Canada@wernerco.com

ATTENTION: PLEASE READ AND UNDERSTAND ALL INSTRUCTIONS AND WARNINGS
BEFORE ASSEMBLING, INSTALLING OR USING THIS PRODUCT.

INSTALLATION GUIDELINES

- Before cutting or drilling in the B-pillar, verify the location of the seat belt mechanism and electrical cables to prevent damaging vital components.
- Always wear protective eyewear to keep debris out of your eyes when installing WEATHER GUARD® Van Products.
- Tighten all M6 hardware to 76 in-lb when ready.
- A Window Accessory (96906-3-01) and a Dog Door Accessory (96908-3-01) are also available for this product. If installing either of these accessories, it is recommended that they be installed to the bulkhead before installing the bulkhead into the van.
- Additional Accessory Panels (96905-3-01) are also available.
- **This product is designed and intended for use on all wheelbases of Low Roof Ford Transit vans.**

OPERATION GUIDELINES

- Any modifications made to this product, or use of this product for any other purpose than its intended use, could create a hazardous condition that can cause serious personal injury or property damage.
- **At the end of the first week of use, check all of the fasteners for proper tightness and then check every three months thereafter.**

HARDWARE KIT

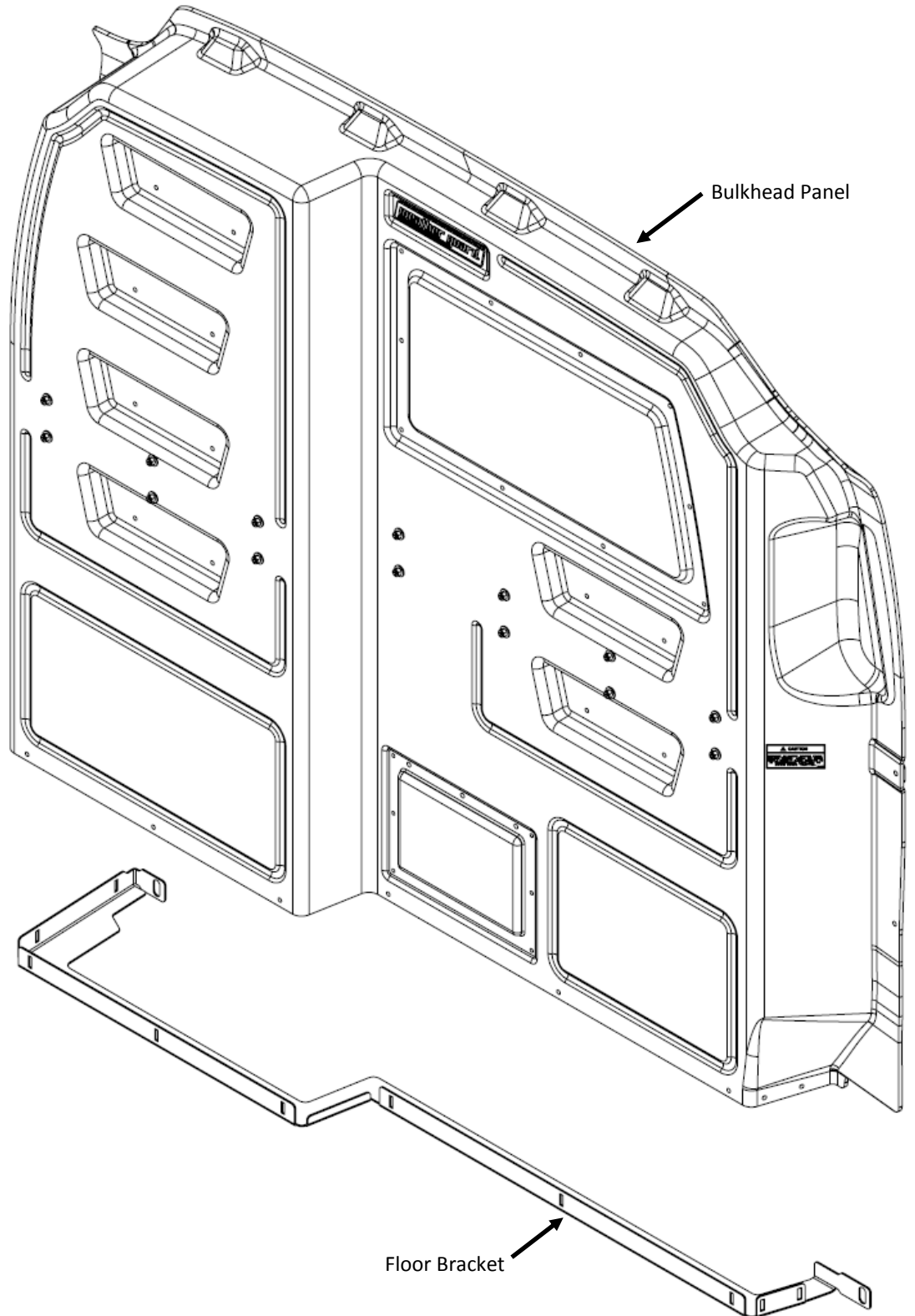
DESCRIPTION	QTY
M6-1.0 Blind Fastener	5
M6-1.0 Nylon Lock Nut	10
M6-1.0 x 20mm Carriage Bolt	10
M6-1.0 x 30mm Bolt	2
M6-1.0 x 40mm Bolt	5
M6-1.0 x 50mm Bolt	1
1/4" Washer	17
1/2" Spacer	5
Blind Fastener Installation Tool	1

TOOLS REQUIRED

Ratchet
10mm Socket
13mm Socket
Socket Extension(s)
10mm Wrench
9/16" Wrench
Drill
1/8" Drill Bit
5/16" Drill Bit
3/8" Drill Bit
1" Hole Saw
Torque wrench

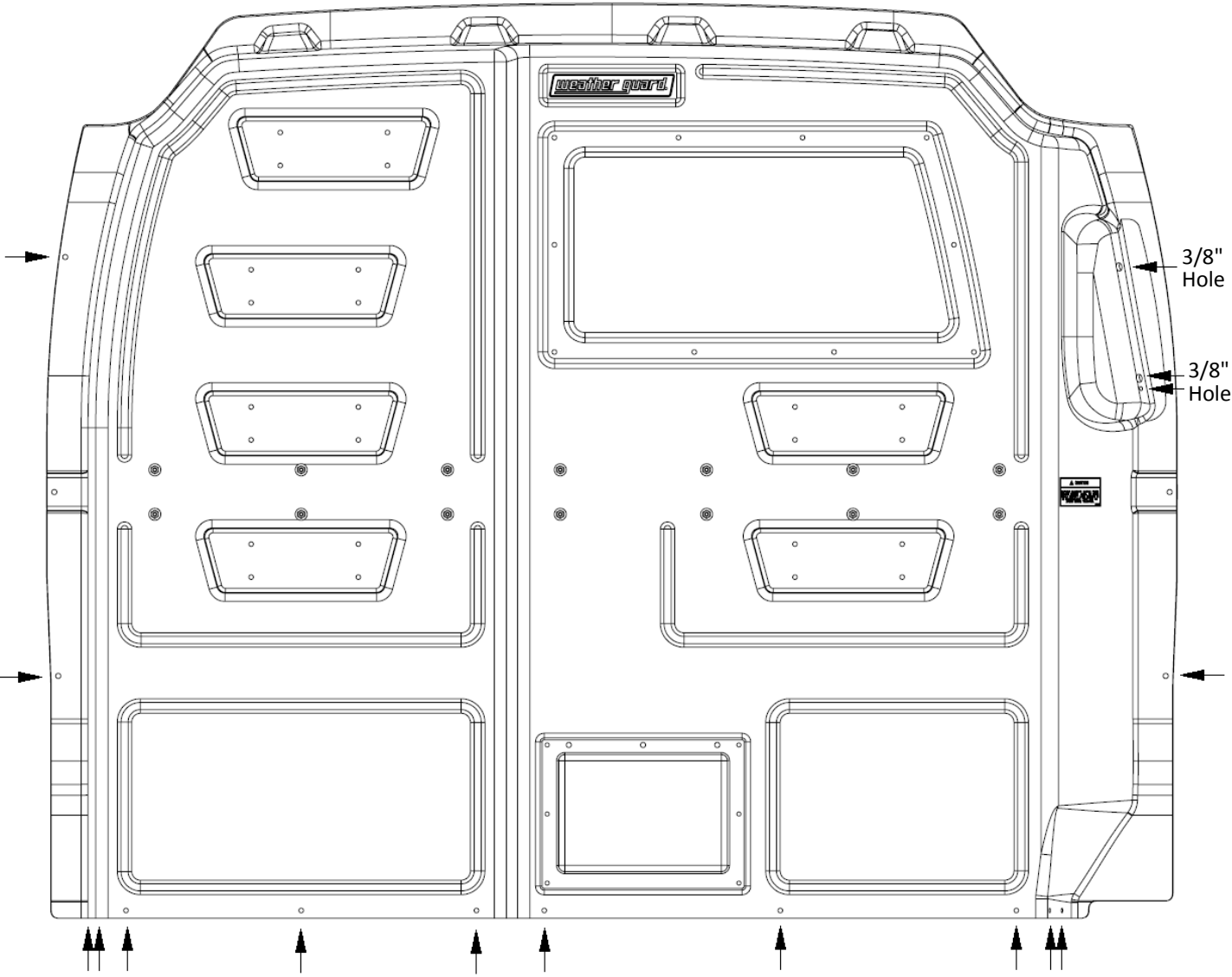
PARTS LIST

DESCRIPTION	QTY
Floor Bracket	1
Bulkhead Panel	1



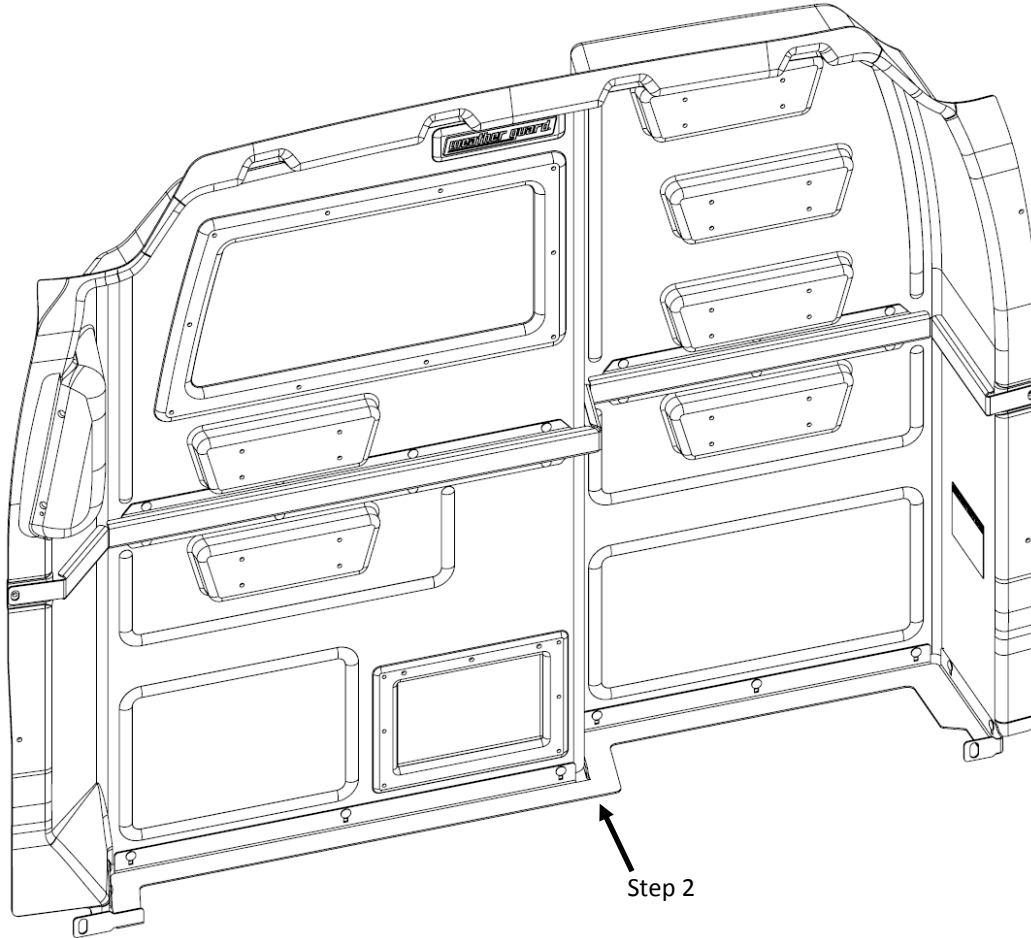
BULKHEAD PREPARATION INSTRUCTIONS

STEP 1. Drill 5/16" holes in the bulkhead panel at the dimples along the sides and bottom of the panel. Use 3/8" drill bit for the two grab handle mounting holes.



BULKHEAD & VAN PREPARATION INSTRUCTIONS

STEP 2. Install the floor bracket to the bulkhead panel with 10 M6 carriage bolts, washers, and nylon lock nuts. For now, leave the nuts loose enough to allow the bracket to slide up and down freely.



STEP 3. Remove the D-Rings from the B-pillar of the van (Keep for later use).

STEP 4. Remove plastic caps at each end of the grab handle to reveal the bolts holding the handle in place. Remove the bolts and set the grab handle aside for later use.



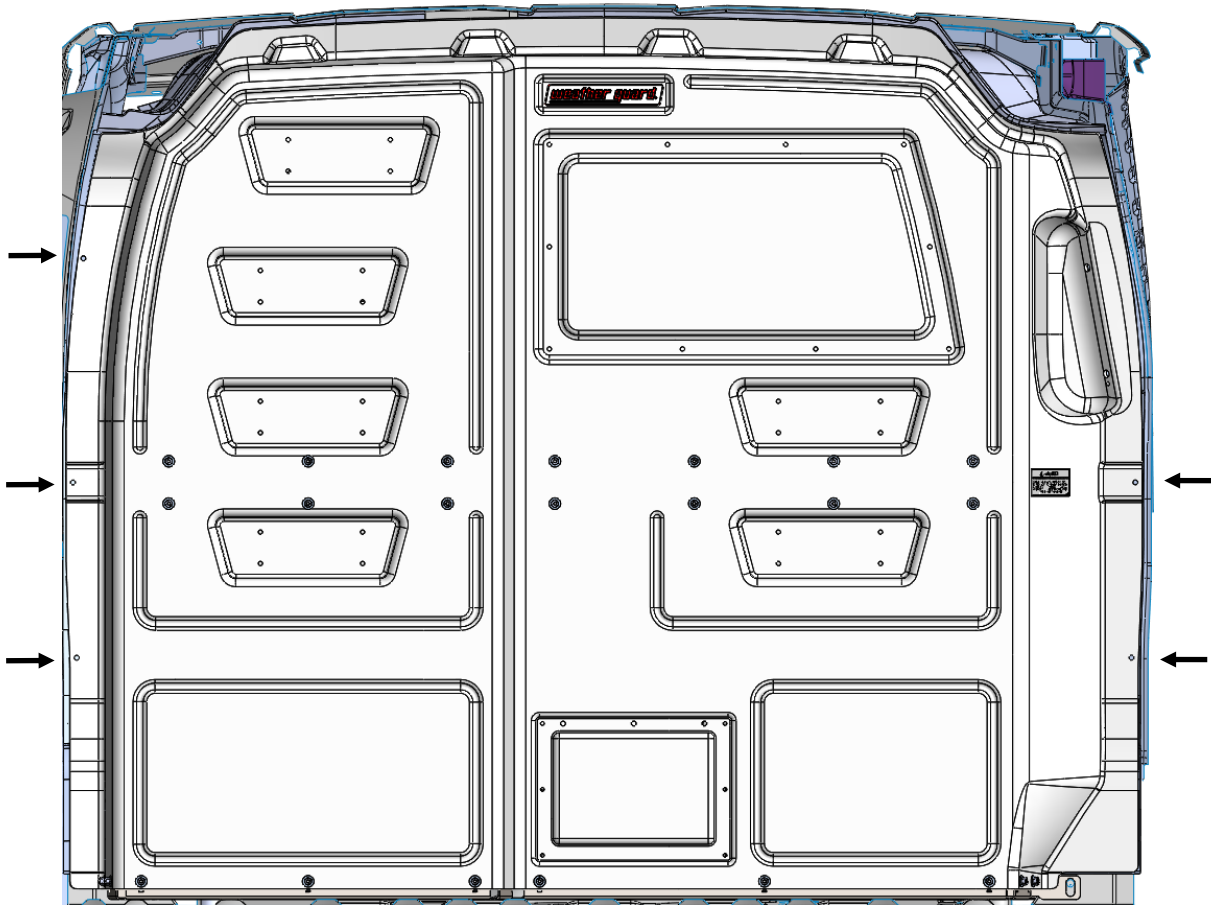
Step 3—D-Rings



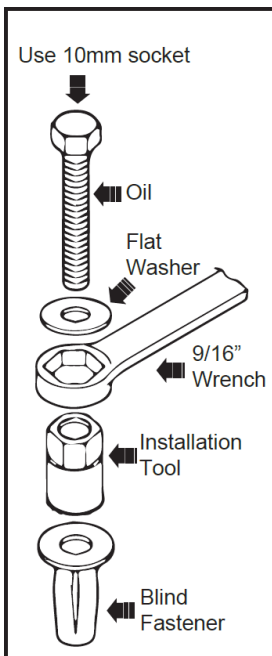
Step 4—Grab Handle

VAN PREPARATION INSTRUCTIONS

- STEP 5.** Place the Bulkhead into the van against the B-pillar. Loosely bolt the bulkhead in place using the D-Rings and Grab Handle bolts. Ensure the Bulkhead is as far up against the headliner as possible and mark the 5 hole locations on the B-Pillar Trim.



- STEP 6.** Remove the D-Rings and Grab Handle bolts and pull the Bulkhead back out of the van or push it out of the way into the back of the van.
- STEP 7.** At the marked locations, cut the B-Pillar Trim using a 1" hole saw. Drill 1/8" pilot holes and then re-drill with a 3/8" drill bit and install blind fasteners in them.



INSTALLATION PROCEDURE USING BLIND FASTENERS

Place a drop of oil on the M6-1.0 x 50mm bolt before assembling as shown on left.

Place the Blind Fastener in the hole and use a 10mm socket and driver to tighten the bolt until the Blind Fastener is fully seated.

When setting the bolt, it will start out tight. As the Blind Fastener "bulbs" out it will get easier, until it bottoms out or sets.

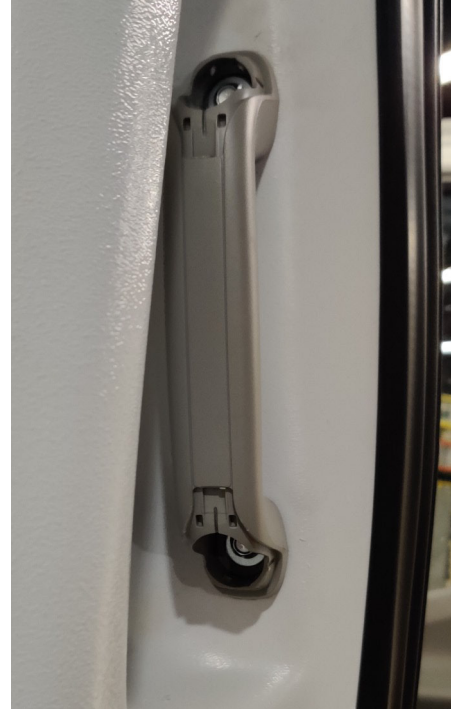
Make sure the Blind Fastener and the installation tool do not slip during the installation.

BULKHEAD INSTALLATION INSTRUCTIONS

- STEP 8.** Tape a 1/2" Spacer in each of the holes in the B-Pillar Trim as shown below and poke a hole for the bolt.
- STEP 9.** Set the Bulkhead back in place against the B-pillar of van as done in Step 5. Ensure the D-Ring tabs on the floor bracket are tucked behind the plastic B-pillar trim of the van.
- STEP 10.** Loosely bolt the Grab Handle back in place over the Bulkhead using two M6 x 30mm bolts and 1/4" washers.



Step 8 Tape Spacers to B-Pillar Trim



Step 10 Attach Grab Handle over the Bulkhead Panel

- STEP 11.** Loosely bolt the D-Rings back in place through the floor bracket.



Driver Side D-Ring (Cab Side of Bulkhead)



Passenger Side D-Ring (Cargo Side of Bulkhead)

- STEP 12.** Bolt the Bulkhead to the B-pillar using M6 x 40mm bolts and flat washers. Tighten these bolts and the Grab Handle bolts to 76 in-lbs. Replace the plastic covers on the ends of the Grab Handle.
- STEP 13.** While keeping the floor bracket down flat against the floor/floor liner, tighten the D-Rings to 37 ft-lbs.
- STEP 14.** Tighten the nuts that attach the floor bracket to the bulkhead panel to 76 in-lbs.

This product can reduce the driver's ability to clearly see roadways, vehicular or pedestrian traffic and other objects through the rear and side windows of the vehicle, which can cause an accident. Extra precautions should be taken when driving a vehicle with this product. Make all adjustments necessary to ensure maximum visibility, including but not limited to, changing mirror and seating positions. State and local laws may prohibit obstruction of windows in a moving vehicle.

These instructions are to be followed using the parts and fasteners supplied for proper installation. Any modifications or improper installation of this product will create a hazardous condition that could result in death, serious personal injury and/or property damage.

Prior to drilling, so as not to cut electric wires, fuel lines, brake lines, etc., check behind and underneath drilling and mounting locations. To keep debris out of your eyes when checking the underside of the vehicle, or when drilling, always wear protective eye wear. Failure to heed this warning will result in death or serious injury.

- NOTICE -

Any modification or unintended use of this product shall immediately void all manufacturer's warranties. Manufacturer disclaims all liability for injuries to persons or property resulting from any modification to, or unintended use of this product.

WERNER CO. LIMITED LIFETIME WARRANTY FOR WEATHER GUARD® PRODUCTS

WEATHER GUARD® Products — Limited Lifetime Warranty (Purchased on or after 1/1/2009)

WERNER CO. (the "Manufacturer") warrants to the original purchaser only that WEATHER GUARD® Truck and Van Products (the "WEATHER GUARD® Product") will be free from defects in material and workmanship from the date of purchase and continuing for the expected lifetime of the WEATHER GUARD® Product. A copy of the original sales receipt must be supplied to the Manufacturer at the time a warranty claim is made. This warranty terminates if the original purchaser transfers the WEATHER GUARD® Product to any other person.

What is Covered

All WEATHER GUARD® Products identified above that are purchased on or after January 1, 2009.

What We Will Do to Correct Problems

Subject to the limitations and exclusions described in this limited warranty, the Manufacturer will remedy defects in materials or workmanship by providing one of the following remedies at its option and without charge to the original purchaser for parts or labor: (a) repairing the defective portion of the WEATHER GUARD® Product or (b) replacing the entire WEATHER GUARD® Product. In addition, the manufacturer may elect at its option, not to repair or replace the WEATHER GUARD® Product, but rather issue to the original purchaser a refund equal to the purchase price paid for the WEATHER GUARD® Product or a credit to be used toward the purchase of new WEATHER GUARD® Product.

What is Not Covered

This limited warranty expressly excludes:

- Defects caused by normal wear and tear, cosmetic rust, scratches, accidents, unlawful vehicle operation, or modification to the product, or any types or repair of a WEATHER GUARD® Product other than those authorized or provided by the Manufacturer.
- Defects resulting from conditions beyond the Manufacturer's control including, but not limited to misuse, overloading, or failure to assemble, mount or use the WEATHER GUARD® Product in accordance with the Manufacturer's written instructions or guidelines included with the WEATHER GUARD® Product or made available to the original purchaser.
- Damage to the contents of the box or vehicle.
- TO THE EXTENT PERMITTED BY LAW, IN NO EVENT SHALL THE MANUFACTURER BE LIABLE FOR ANY INCIDENTAL, SPECIAL, INDIRECT, OR CONSEQUENTIAL DAMAGES, INCLUDING ANY ECONOMIC LOSS, WHETHER RESULTING FROM NON-PERFORMANCE, USE, MISUSE OR INABILITY TO USE THE WEATHER GUARD® PRODUCT OR THE MANUFACTURER'S NEGLIGENCE.

No Other Express Warranty Applies

This Limited Lifetime Warranty is the sole and exclusive warranty for WEATHER GUARD® Products. No employee, agent, dealer, or other person is authorized to alter this warranty or make any other warranty on behalf of WERNER CO.

Notification Procedures

If the WEATHER GUARD® Product does not conform with the terms of this limited warranty, the original owner must promptly notify the Manufacturer in writing upon discovery of the nonconformity. In order to receive the remedies under this limited warranty, the warranty claim must describe the nature of the nonconformity, and a copy of the original sales receipt, invoice, bill or other proof of purchase must accompany the claim. Repairs or modifications made to the WEATHER GUARD® Product by other than the Manufacturer or its authorized agent will nullify this limited warranty. Coverage under this limited warranty is conditioned at all times upon the owner's compliance with these required notification and repair procedures. Warranty claims must include reciprocal contact information and may be made via certified mail to:

WERNER CO. ATTN: Warranty Claims

420 E. Terra Cotta Avenue Crystal Lake, IL 60014

If you have any questions, please call toll free at 1-800-456-7865.

©2020 WERNER CO.

WERNERCO™