



**VAN STORAGE SOLUTIONS**  
FOR THE WAY YOU WORK™

# INSTALLATION MANUAL

**TRANSIT BULKHEAD — Model Numbers:**

96301-3-01, 96302-3-01, 96311-3-01, 96312-3-01, 96321-3-01, 96322-3-01

**ATTENTION: PLEASE READ AND UNDERSTAND ALL INSTRUCTIONS AND WARNINGS BEFORE ASSEMBLING, INSTALLING OR USING THIS PRODUCT.**



## PLAN YOUR VAN (TIPS FOR FASTER INSTALLATION)

- Installing your Transit bulkhead is very clear cut following these instructions.
- Before cutting or drilling in the floor, verify the location of you gas tank, fuel lines and electrical cables so you don't accidentally cut something important.
- When mounting to the floor, make sure that the blind fasteners go into the sheet-metal floor. Always wear eye protection when drilling or cutting.
- When mounting to the B-pillar, you'll need to cut through the plastic trim in low roof models. A hole saw will give you a nice, clean edge. Use the 3/8" spacers to ensure a solid mount to the van.
- Your Transit van bulkhead can be up-graded with a swing-door conversion kit, 96901-3-01. If you think you might want to change to it in the future, put an extra nut between the driver's side panel and the center panel to allow enough space.

## TOOLS REQUIRED

- Electric Drill
- Electric Drill-driver or impact wrench
- Pencil or Marker
- Hammer
- Center Punch
- 1" Hole Saw
- Hack saw blade or sharp knife
- 7/16" and 1/2" Driver Bits and/or Sockets
- Drill Bits: 1/8", 3/8", 1/2", 13/32"
- Ratchet Drive for your sockets
- Level
- Carpenter's Square
- Open End Wrenches: 7/16", 1/2", 9/16"

## BOLT KIT

DESCRIPTION	QTY
BLIND FASTENER 1/4-20	10
BOLT 1/4-20x5/8 HH GR5	16
SCREW 1/4-14x3/4 DRILL	4
NUT LOCK 1/4-20 NYLON	20
WASHER FLAT 1/4"	40
SPACER FLOOR MOUNTING	6
SPACER FLOOR MNTING 0.5"	4
BOLT CARR. 1/4-20x5/8	4
TOOL BLIND FAST. INSTALL	1
BOLT 1/4-20x2-1/4" HEX HEAD	1
BOLT 1/4-20 x 1-1/4 WASH HD	10



## CAUTION

Be safe - always wear protective eyewear to keep debris out of your eyes when installing WEATHER GUARD® Van Products.



**VAN STORAGE SOLUTIONS**  
FOR THE WAY YOU WORK™

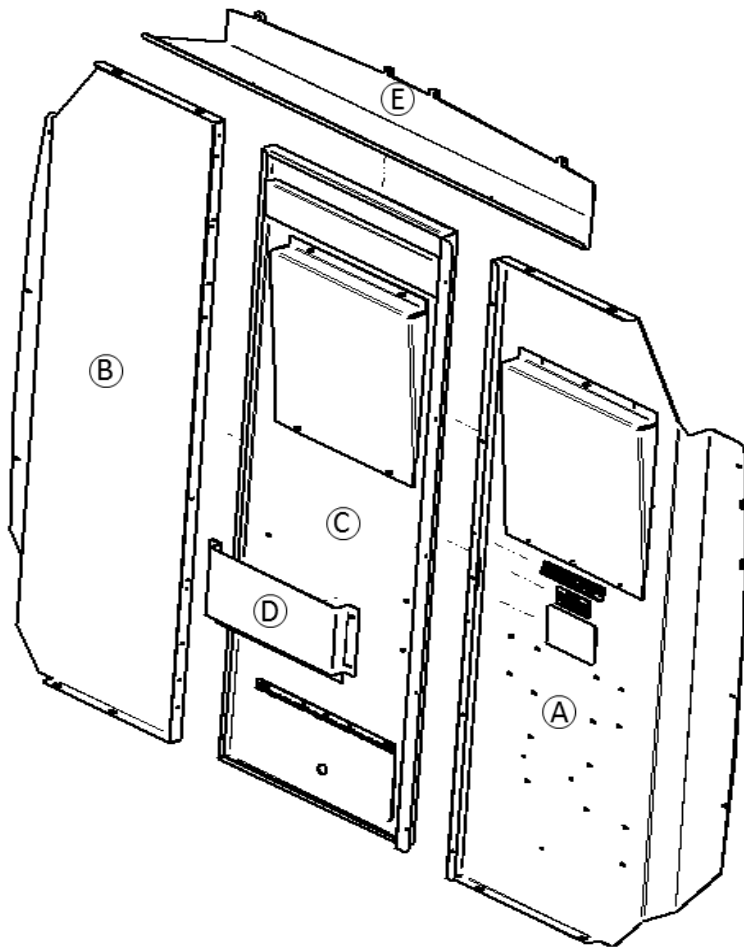
# INSTALLATION MANUAL

**TRANSIT BULKHEAD — Model Numbers:**

96301-3-01, 96302-3-01, 96311-3-01, 96312-3-01, 96321-3-01, 96322-3-01

**ATTENTION: PLEASE READ AND UNDERSTAND ALL INSTRUCTIONS AND WARNINGS BEFORE ASSEMBLING, INSTALLING OR USING THIS PRODUCT.**

## ASSEMBLY INSTRUCTIONS



DESCRIPTION	ITEM
Passenger Side Panel	A
Driver Side Panel	B
Center Panel	C
Door Pocket	D
Header Panel	E
Bolt Kit—Part #32-0315	

**STEP 1.** Assemble the Door Pockets to either the driver's side or cargo side of the Center Panel using eight (8) 1/4-20 x 5/8" Carriage Bolts, 1/4-20 Nylon Lock Nuts and 1/4" Flat Washers. Insert bolts from the driver's side with washers and nuts on the cargo side.

Bulkhead models 96301-3-01, 96311-3-01, and 96321-3-01 have two clear polycarbonate windows mounted to panels A and C.

Bulkhead models two 96302-3-01, 96312-3-01, and 96322-3-01 have diamond mesh screens mounted to panels A and C.

Available accessories:  
Hinge kit 96901-3-01



**VAN STORAGE SOLUTIONS**  
FOR THE WAY YOU WORK™

# INSTALLATION MANUAL

**TRANSIT BULKHEAD — Model Numbers:**

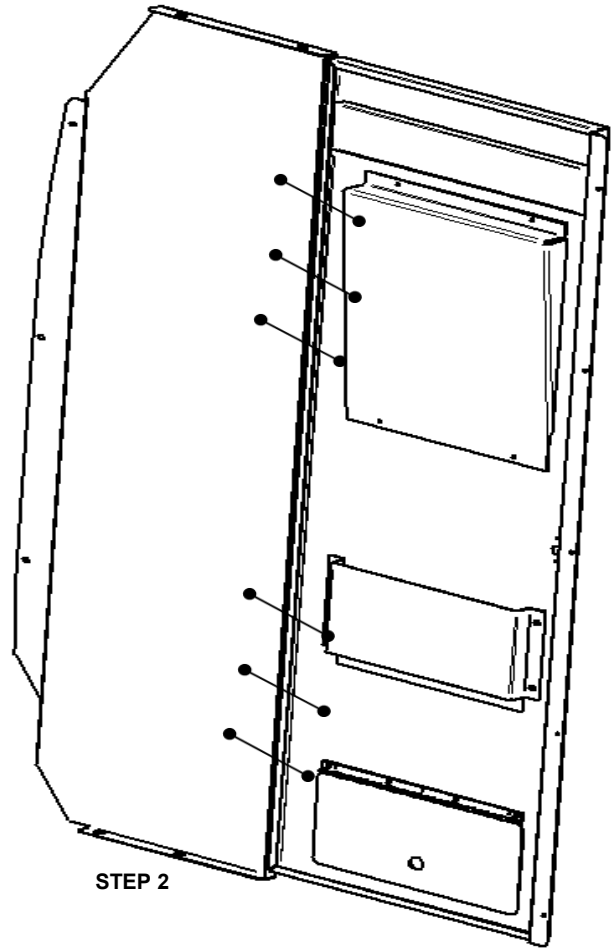
96301-3-01, 96302-3-01, 96311-3-01, 96312-3-01, 96321-3-01, 96322-3-01

ATTENTION: PLEASE READ AND UNDERSTAND ALL INSTRUCTIONS AND WARNINGS BEFORE ASSEMBLING, INSTALLING OR USING THIS PRODUCT.

## ASSEMBLY INSTRUCTIONS

**STEP 2.** Attach Driver Side Panel to Center Panel with both panels flush to the bottom using six (6) ¼-20 x 5/8" hex head bolts, ¼" flat washers, and ¼-20 lock nuts. If you are using a swing door hinge kit (96901-3-01) install it now, instead of the mounting hardware. If you are thinking of adding a hinge kit later, insert two flat washers between the Driver Side Panel and the Center Panel while assembling.

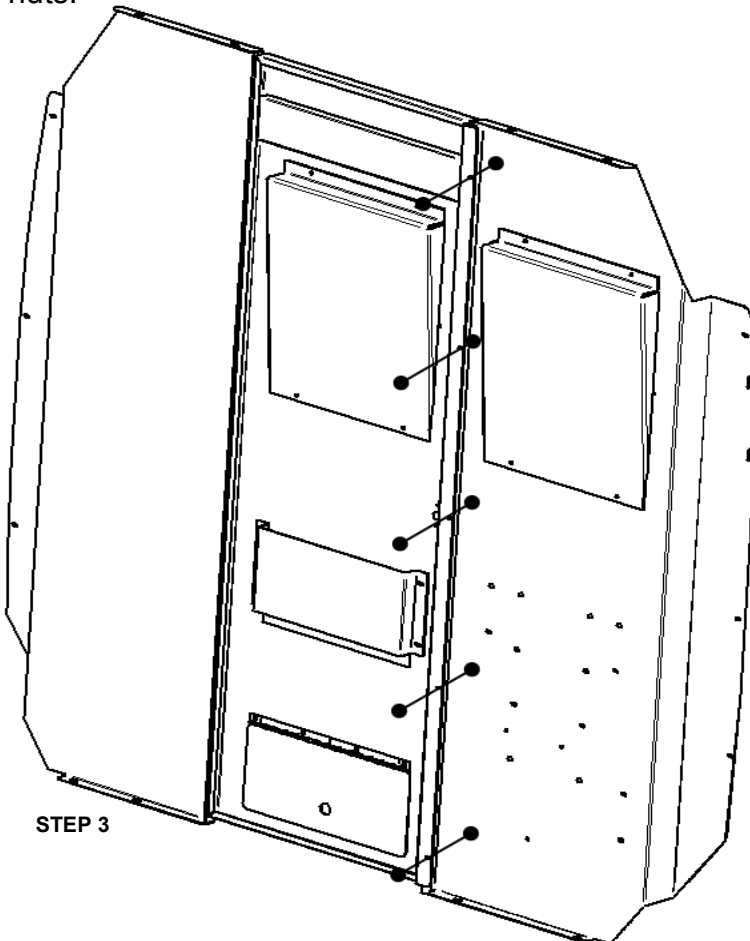
**STEP 3.** Attach Passenger Side Panel to Center Panel with both panels flush to the bottom using five (5) ¼-20 x 5/8" hex head bolts, ¼" flat washers, and ¼-20 lock nuts.



STEP 2

DO NOT FULLY TIGHTEN FASTENERS AT THIS TIME, PARTS MUST STILL MOVE IN SLOTS.

**NOTE:** Not all mounting holes will be used on either of the vertical sides of the Center Panel. Extra mounting holes are for the swing door option available for this Bulkhead.



STEP 3



**VAN STORAGE SOLUTIONS**  
FOR THE WAY YOU WORK™

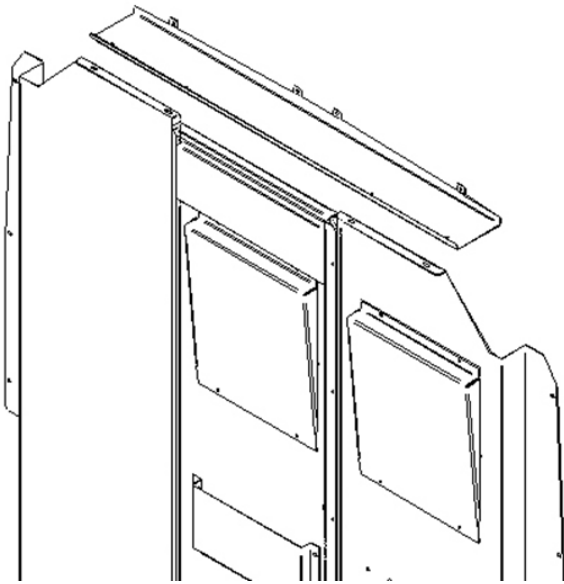
# INSTALLATION MANUAL

**TRANSIT BULKHEAD — Model Numbers:**

96301-3-01, 96302-3-01, 96311-3-01, 96312-3-01, 96321-3-01, 96322-3-01

**ATTENTION: PLEASE READ AND UNDERSTAND ALL INSTRUCTIONS AND WARNINGS BEFORE ASSEMBLING, INSTALLING OR USING THIS PRODUCT.**

## ASSEMBLY INSTRUCTIONS



**STEP 5.** Attach the Header Panel (Different panels for low, mid, and high roof vans.) to the Bulkhead using four (4) 1/4-20 x 5/8" Hex Head Bolts, eight (8) 1/4" Flat Washers and four (4) 1/4-20 Nylon Lock Nuts.

**DO NOT FULLY TIGHTEN FASTENERS AT THIS TIME,**

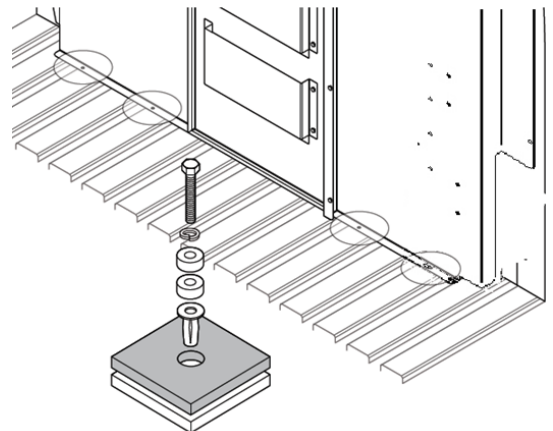
### WARNING

All floor mounting bolts near the fuel tank area should be installed from the underside of the vehicle, to guard against the fuel tank being punctured in the event of a collision. This would mean not using Blind Fasteners in this area. Holes in this area should be 5/16". Ensure ample space in roof ribs and sidewall ribs for mounting hardware so as not to puncture exterior roof or wall.

## INSTALLATION INSTRUCTIONS

**STEP 6.** Remove grab handle from the B-Pillar. Place the Bulkhead against the B-Pillar. Using a center punch, mark the four Bulkhead bottom mounting holes on the floor of the van. Ensure the hole is located on the topside of the floor rib. Move the Bulkhead out of the way. Drill a pilot hole with an 1/8" drill bit, then re-drill the hole with a 3/8" drill bit. Floor Mounting Spacers are **required**.

**NOTE:** Four (4) Blind Fasteners are provided for mounting the bulkhead to the floor. See **INSTALLATION INSTRUCTIONS FOR BLIND FASTENERS** on page 6. Do not use blind fasteners over gas-line of CNG tanks or fuel lines. (Alternate hardware is included to follow any of the bolting solutions below.) **Do not bolt the bulkhead to the floor yet.**



BLIND FASTENER INSTALLATION THROUGH FLOOR MAT AND VAN FLOOR (SEE PAGE )



**VAN STORAGE SOLUTIONS**  
FOR THE WAY YOU WORK™

# INSTALLATION MANUAL

**TRANSIT BULKHEAD — Model Numbers:**

96301-3-01, 96302-3-01, 96311-3-01, 96312-3-01, 96321-3-01, 96322-3-01

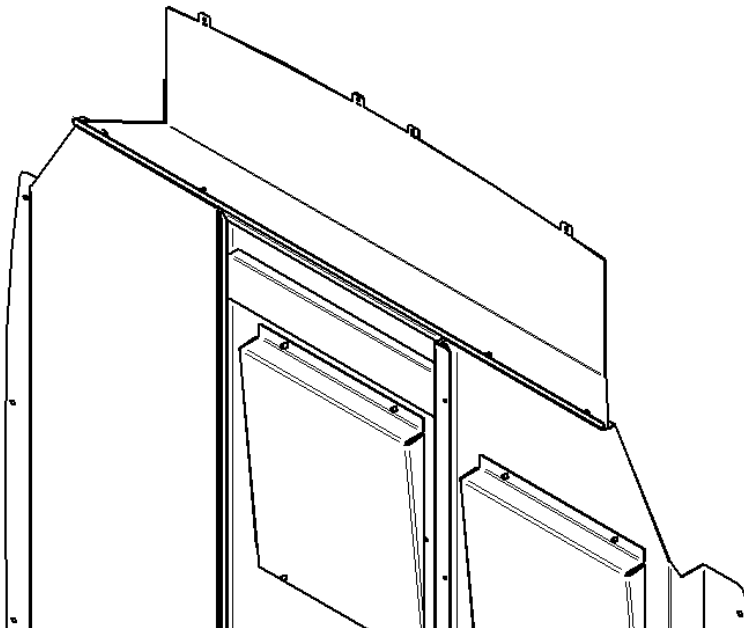
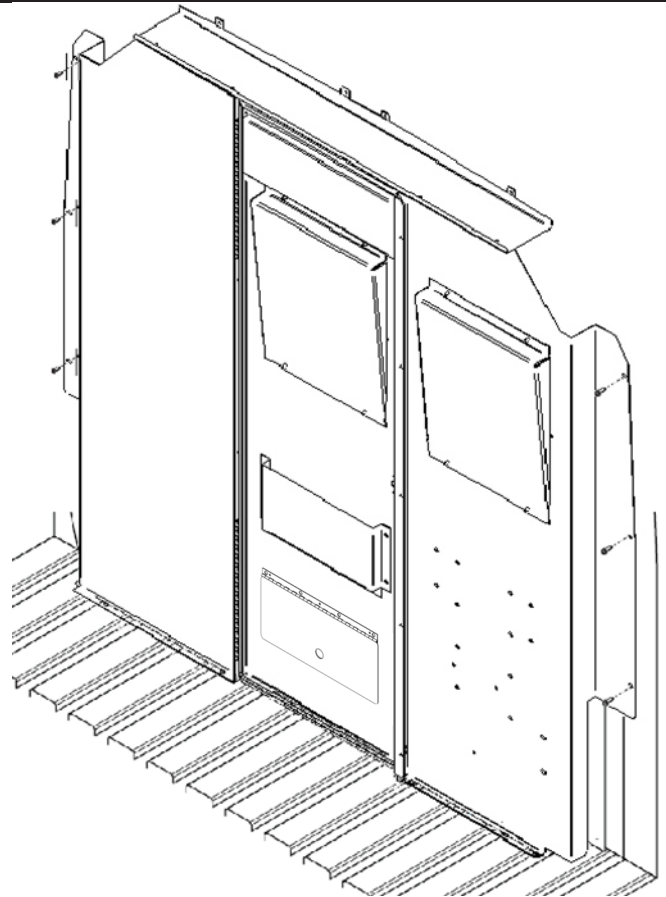
**ATTENTION: PLEASE READ AND UNDERSTAND ALL INSTRUCTIONS AND WARNINGS BEFORE ASSEMBLING, INSTALLING OR USING THIS PRODUCT.**

## INSTALLATION INSTRUCTIONS

**STEP 7. FOR LOW ROOF TRANSITS:** With the Bulkhead against the B-Pillar trim, use a marker or pencil and mark the six Bulkhead side holes on the B-pillar. Additionally mark and cut the B-pillar trim with a 1" hole saw. Drill a pilot hole with an 1/8" drill bit. Re-drill the hole with a 3/8" bit for the blind fasteners.

**FOR MID AND HIGH ROOF TRANSITS:** With the Bulkhead against the B-Pillar, use a marker or pencil and mark the six Bulkhead side holes on the B-pillar. Drill a pilot hole with an 1/8" drill bit. Re-drill the hole with a 3/8" bit for the blind fasteners

Move the Bulkhead out of the way, and install six (6) 1/4-20 blind fasteners. See **INSTALLATION INSTRUCTIONS FOR BLIND FASTENERS** on page 6.



### **STEP 8. FOR LOW ROOF TRANSITS**

With the Bulkhead against the B-Pillar, use a marker or pencil to mark where the header panel intersects the roof trim, and cut the roof trim with a knife.

**STEP 9.** Re-position the bulkhead and install using six (6) 1/4-20 x 1-1/4" hex head bolts and the **required** six (6) 3/8" Mounting Spacers into the B-pillar blind fasteners. Mount header panel to roof channel using (4) 1/4-14x3/4 self-tapping screws.



**VAN STORAGE SOLUTIONS**  
FOR THE WAY YOU WORK™

# INSTALLATION MANUAL

**TRANSIT BULKHEAD — Model Numbers:**

96301-3-01, 96302-3-01, 96311-3-01, 96312-3-01, 96321-3-01, 96322-3-01

ATTENTION: PLEASE READ AND UNDERSTAND ALL INSTRUCTIONS AND WARNINGS BEFORE ASSEMBLING, INSTALLING OR USING THIS PRODUCT.

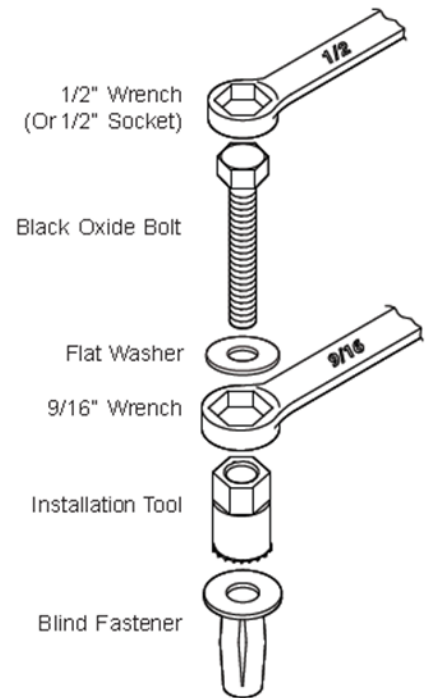
## INSTALLATION INSTRUCTIONS

**STEP 10.** Fasten Bulkhead to van floor using four (4) 1/4-20 x 1-1/4" Hex Head Bolts, 1/4" Flat Washers, and (4) 1/2" Floor Mounting Spacers.

**STEP 11.** Re-check all fasteners and tighten them.

### INSTALLATION INSTRUCTIONS FOR BLIND FASTENERS

Place a drop of oil on the black oxide bolt before assembling as shown on right. Place the Blind Fastener in the hole and use a 1/2" wrench to tighten black hex bolt until the Blind Fastener is fully seated. When setting black hex bolt, it will start out hard. As the Blind Fastener "bulbs" out it will get easier, until it bottoms out or sets. Make sure the Blind Fastener and Installation Tool do not turn during installation.





**! WARNING**

This product is only intended and safe for use in storing and transporting small tools, equipment and other similar materials. These instructions are to be followed using the parts and fasteners supplied for proper installation. Any modifications or improper installation of this product will create a hazardous condition that could result in death, serious personal injury and/or property damage.

All floor mounting bolts near the fuel tank area should be installed from the underside of the vehicle, to guard against the fuel tank being punctured in the event of a collision. This would mean not using Blind Fasteners in this area. Holes in this area should be 5/16". Ensure ample space in roof ribs and sidewall ribs for mounting screws so as not to puncture exterior roof or wall.

Do not install this product where it could interfere with deployment of air bags. Failure to comply could result in death or serious body injury.

**- NOTICE -**

Any modification or unintended use of this product shall immediately void all manufacturers warranties. Manufacturer disclaims all liability for injuries to persons or property resulting from any modification to, or unintended use of this product.

**KNAACK LLC LIMITED LIFETIME WARRANTY FOR WEATHER GUARD® PRODUCTS**

WEATHER GUARD® Products — Limited Lifetime Warranty (Purchased on or after 1/1/2009)

Knaack LLC (the "Manufacturer") warrants to the original purchaser only that WEATHER GUARD® Truck and Van Products (the "WEATHER GUARD® Product") will be free from defects in material and workmanship from the date of purchase and continuing for the expected lifetime of the WEATHER GUARD® Product. A copy of the original sales receipt must be supplied to the Manufacturer at the time a warranty claim is made. This warranty terminates if the original purchaser transfers the WEATHER GUARD® Product to any other person.

**What is Covered**

All WEATHER GUARD® Products identified above that are purchased on or after January 1, 2009.

**What We Will Do to Correct Problems**

Subject to the limitations and exclusions described in this limited warranty, the Manufacturer will remedy defects in materials or workmanship by providing one of the following remedies at its option and without charge to the original purchaser for parts or labor: (a) repairing the defective portion of the WEATHER GUARD® Product or (b) replacing the entire WEATHER GUARD® Product. In addition, the manufacturer may elect at its option, not to repair or replace the WEATHER GUARD® Product, but rather issue to the original purchaser a refund equal to the purchase price paid for the WEATHER GUARD® Product or a credit to be used toward the purchase of new WEATHER GUARD® Product.

**What is Not Covered**

This limited warranty expressly excludes:

- Defects caused by normal wear and tear, cosmetic rust, scratches, accidents, unlawful vehicle operation, or modification to the product, or any types or repair of a WEATHER GUARD® Product other than those authorized or provided by the Manufacturer.
- Defects resulting from conditions beyond the Manufacturer's control including, but not limited to misuse, overloading, or failure to assemble, mount or use the WEATHER GUARD® Product in accordance with the Manufacturer's written instructions or guidelines included with the WEATHER GUARD® Product or made available to the original purchaser.
- Damage to the contents of the box or vehicle.
- TO THE EXTENT PERMITTED BY LAW, IN NO EVENT SHALL THE MANUFACTURER BE LIABLE FOR ANY INCIDENTAL, SPECIAL, INDIRECT, OR CONSEQUENTIAL DAMAGES, INCLUDING ANY ECONOMIC LOSS, WHETHER RESULTING FROM NONPERFORMANCE, USE, MISUSE OR INABILITY TO USE THE WEATHER GUARD® PRODUCT OR THE MANUFACTURER'S NEGLIGENCE.

**No Other Express Warranty Applies**

This Limited Lifetime Warranty is the sole and exclusive warranty for WEATHER GUARD® Products. No employee, agent, dealer, or other person is authorized to alter this warranty or make any other warranty on behalf of Knaack LLC.

**Notification Procedures**

If the WEATHER GUARD® Product does not conform with the terms of this limited warranty, the original owner must promptly notify the Manufacturer in writing upon discovery of the nonconformity. In order to receive the remedies under this limited warranty, the warranty claim must describe the nature of the nonconformity, and a copy of the original sales receipt, invoice, bill or other proof of purchase must accompany the claim. Repairs or modifications made to the WEATHER GUARD® Product by other than the Manufacturer or its authorized agent will nullify this limited warranty. Coverage under this limited warranty is conditioned at all times upon the owner's compliance with these required notification and repair procedures. Warranty claims must include reciprocal contact information and may be made via certified mail to:

Knaack LLC ATTN: Warranty Claims  
420 E. Terra Cotta Avenue Crystal Lake, IL 60014

If you have any questions, please call toll free at 1-800-456-7865.

©2013 Knaack LLC

